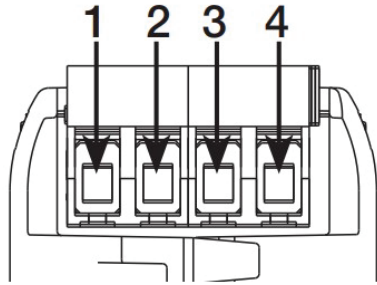


- Diming Control: 0-10V with Electronic-Off function
- ANSI C137.1 Compliant
- Logarithmic Dimming Curve which is optimized with the Lutron AWN
- AUX Power output 16V-24V, 50mA max
- The internal power supply of driver shuts down within 4 seconds and restores power to the node within 0.5 seconds, which is compatible with Lutron "Emergency Support / Override and Lockout" feature.

Series	Type	Dimming Method	Input Voltage	Output Channel	Output Current	Output Voltage	Minimum Dimming	AUX Output	Certification	Dimensions (LxWxH) (mm)	Product Datasheet
QM20	CC	0-10V	120-277VAC	1	300-1050mA	10-48V	1%	24V/50mA	UL List	XP: 85.3 x 37.9 x 27.7	Datasheet
	CV	0-10V	120-277VAC	1	830mA (Max.)	24V or 48V	1%	24V/50mA			
QM32	CC	0-10V	120-277VAC	1	300-1050mA	10-48V	1%	24V/50mA	UL List	NE: 224 x 31 x 16.5	Datasheet
QM40	CC	0-10V	120-277VAC	1	200-1250mA	10-48V	1%	24V/50mA	UL List	XP: 88.6 x 41.6 x 30	Datasheet
	CV	0-10V	120-277VAC	1	1660mA (Max.)	24V or 48V	1%	24V/50mA			
QM50	CC	0-10V	120-277VAC	1 or 2*	200-1250mA	10-48V	1%	16V/50mA	UL List	XP: 107.5 x 43.5 x 32	Datasheet
	CV	0-10V	120-277VAC	1 or 2*	1900mA (Max.)	24V or 48V	1%	16V/50mA			
QM100	CC	0-10V	120-277VAC	1 or 2*	500-4100mA	10-48V	1%	24V/50mA	UL List	LP: 277.4 x 69 x 37 BM: 234.7 x 69 x 37 MB: 234.7 x 69 x 37 SB: 192.0 x 69 x 37	Datasheet
	CV	0-10V	120-277VAC	1 or 2*	4100mA (Max.)	24V or 48V	1%	24V/50mA			

* 2-Channels Driver can not use in the tunnable white application; it can be used either 2-Channel dimming or Dim-to-warm application by programming options.

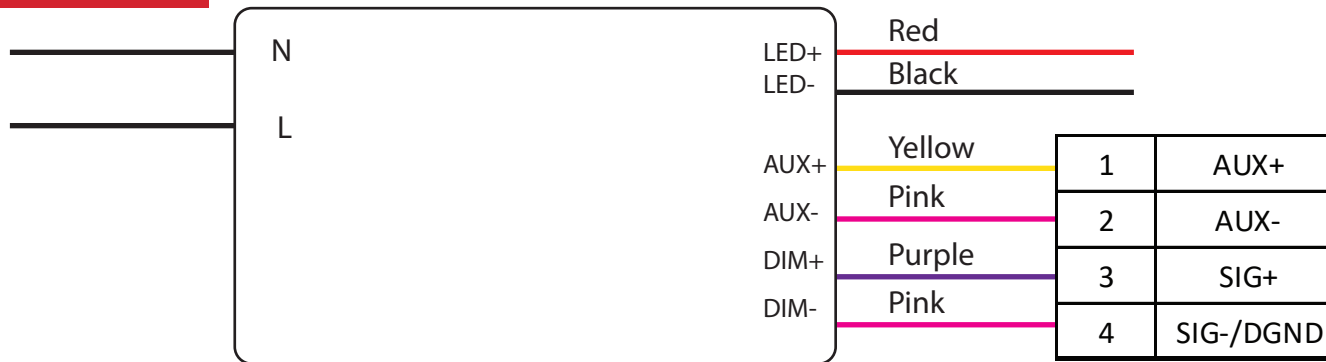
Athena Wireless Node (AWN)



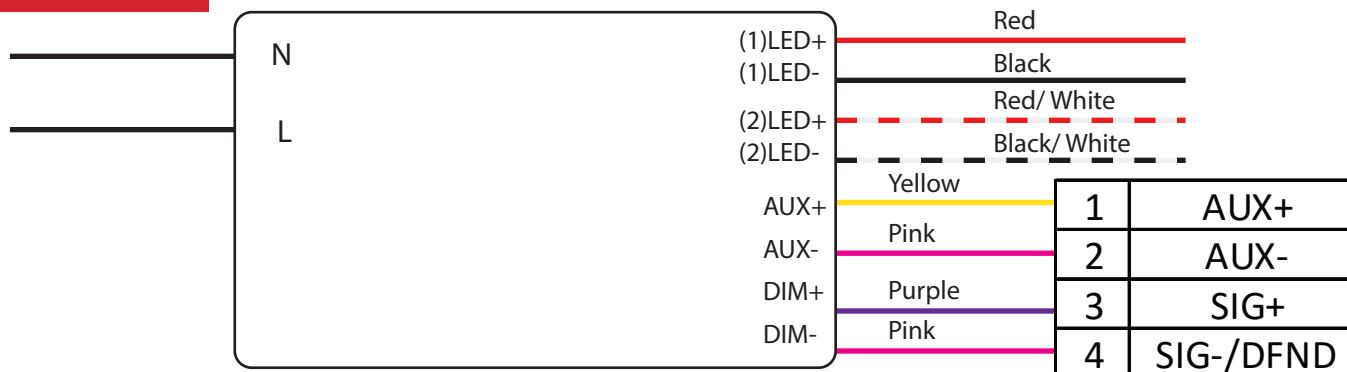
	0-10V
1	AUX+
2	AUX-
3	SIG+
4	SIG-/DFND

Wiring Diagram QM Series

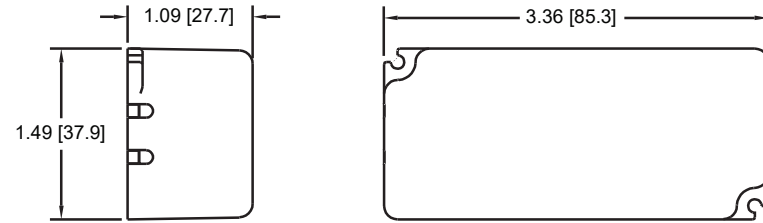
1-Channel



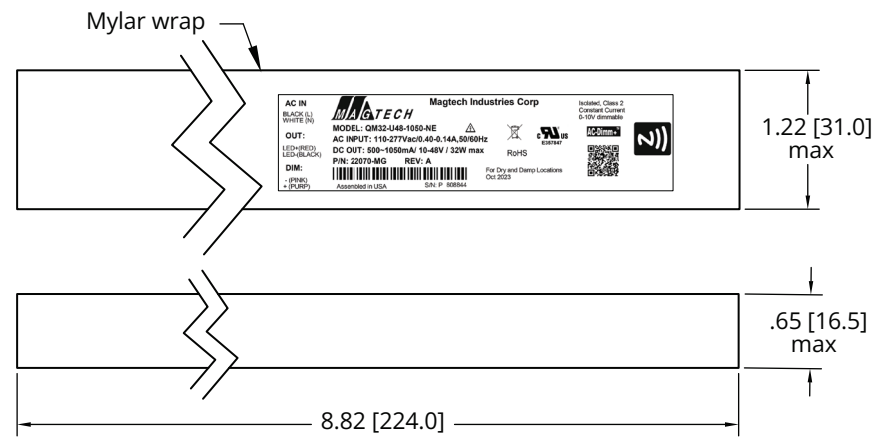
2-Channel



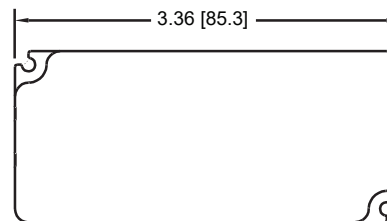
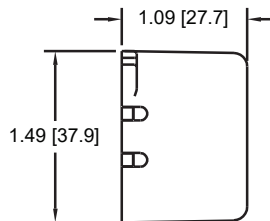
QM20 Series



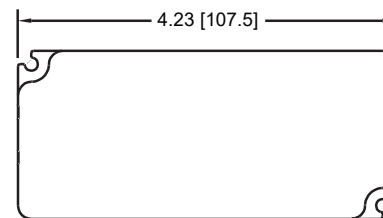
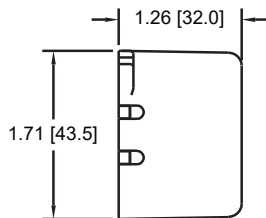
QM32 Series



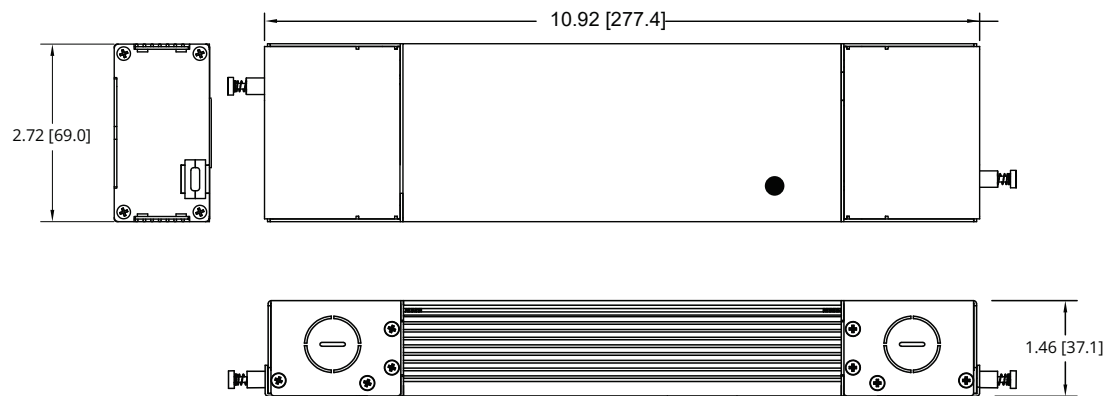
QM40 Series



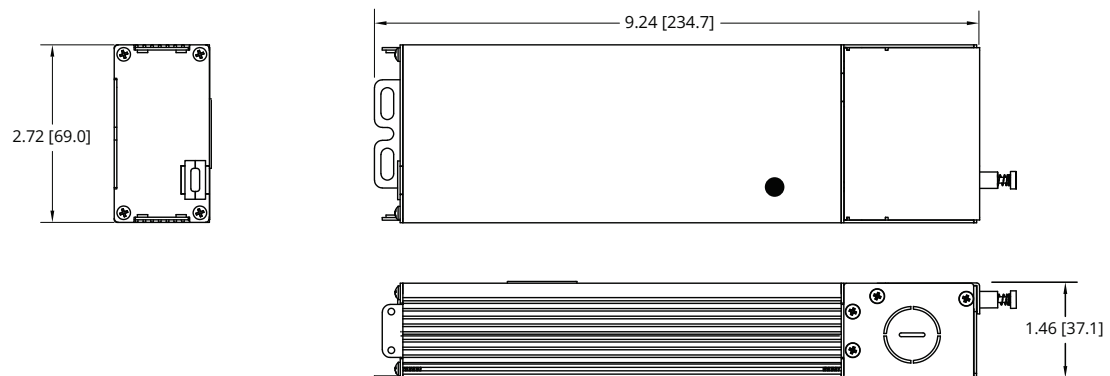
QM50 Series



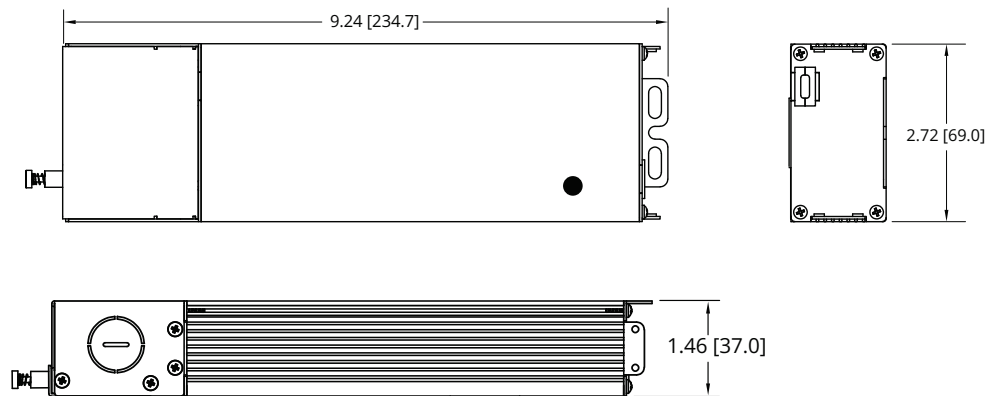
QM100-U48z-yyyy-LP
QM100-U24z-LP



QM100-U48z-yyyy-BM
QM100-U24z-BM



QM100-U48z-yyyy-MB
QM100-U24z-MB



QM100-U48z-yyyy-SB
QM100-U24z-SB

