

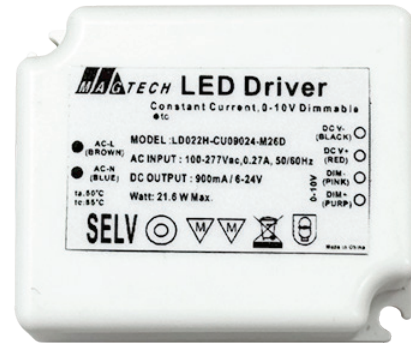
Project Name:	
Type:	

M26D Series

6-24W Constant Current LED Driver with 0-10V Dimming

PRODUCT FEATURE

- Universal Input range from 100 to 277 VAC
- Built-in active PFC Function
- Constant Current design (C .C mode)
- Fully Insulated Plastic Case
- Protections : Over current / Short Circuit / Over Voltage
- No-load power consumption < 0.5W at 230VAC
- Set up time < 0.5S at 230VAC
- Flicker Free design
- 0-10V dimming with 1% min. dim level
- Compact size suitable for installation
- Suitable for light box, track lighting, cabinet lights applications



WARRANTY

- See [Limited Warranty Policy](#) for more additional information

SPECIFICATIONS

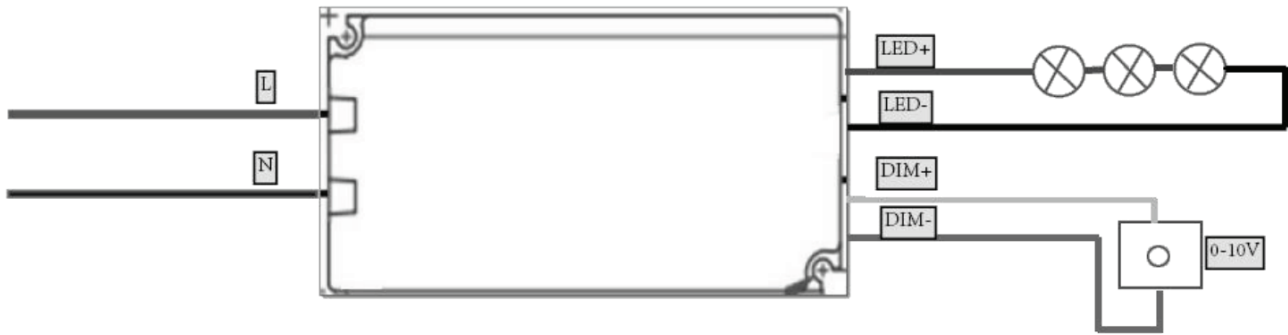
MODEL NO		LD022H-CU09024-M26D	LD022H-CU06040-M26D	LD022H-CU04554-M26D
OUTPUT	DC Voltage Range	6 – 24V	6 – 40V	22 – 54V
	Rated Current	900mA	600mA	450mA
	Rated Max. Power	21.6W	24W	24.3W
	Current Tolerance	±5%	±5%	±5%
	Ripple & Noise (Max) Note. 2	0.3Vp-p	0.3Vp-p	0.3Vp-p
	Efficiency Note. 1	84%	85%	85%
	Dimming Range	1 – 100%		
INPUT	Set up Time (Max)	0.5A at 230VAC at full load		
	Rated Voltage	100 – 277VAC		
	Frequency Range	50/ 60Hz		
	AC Current (Max)	0.27A at 120VAC	0.3A at 120VAC	0.3A at 120VAC
	Power Factor	> 0.9 at 230Vac with full load		
	Leakage Current	< 1mA/ 120VAC		
	Inrush Current (Max)	≤ 30A at 120VAC		
PROTECTIONS	Over Voltage	105% - 130% Output voltage limiting, auto-recovery		
	Over Current	100% - 120% Constant current limiting, auto-recovery		
	Short Circuit	Hiccup mode, recovers automatically after fault condition is removed		
ENVIRONMENT	Operation Temp.	-10°C ~ 60°C (Refer to output load derating curve)		
	Operation Humidity	20% ~ 90% RH non-condensing		
	Storage Temp	-20°C ~ +80°C		
	Working Temp	-20°C~ 50°C(reference derating data)		
	Storage Humidity	10% ~ 90% RH		
SAFETY & EMC	Safety Standards	Meet UL8750 refer UL1310, EN61347-1, EN61347-2-13		
	Withstand Voltage	I/P – O/P: 3.75K VAC		
	Isolation Resistance	I/P – O/P: 100M ohms/ 500VDC EN55015		
	EMI Conduction & Radiation	Meet FCC PART15 CLASSB EN55015		
	EMS Immunity	Meet EN61000-4-2, 3, 4, 5, 6, 11; EN61547; EN61000-3-2		
CONNECTION	Input	UL rated, 1332#18 AWGx 2C (150 mm±10mm)L : Brown, N:Blue UL rated, 1007#20 AWGx2C (150 mm±10mm)Vo+:Red, Vo-:Black;		
	Output	UL rated, 1007#22 AWGx2C (150 mm±10mm)Dim+:Pink, Dim-:Purple		
OTHERS	MTBF	100K hours min. @Ta=25°C		
	Weight	116kg/ pcs		
	Dimension	55 * 45 * 25 mm (L*W*H)		
	Packing/ Carton	43 * 43 * 19 mm (L*W*H)		
NOTE	<ol style="list-style-type: none"> 1. All parameters NOT specially mentioned are measured at 120V AC input, rated load and 25°C ambient temperature. 2. Ripple & Noise are measured at 20MHz bandwidth oscilloscope and with 0.1uF & 47uF parallel capacitor. 3. The power supply is considered a component which will be installed a final equipment. The final equipment must be re-confirmed that it still meets EMC directives. 			

Project Name:	
Type:	

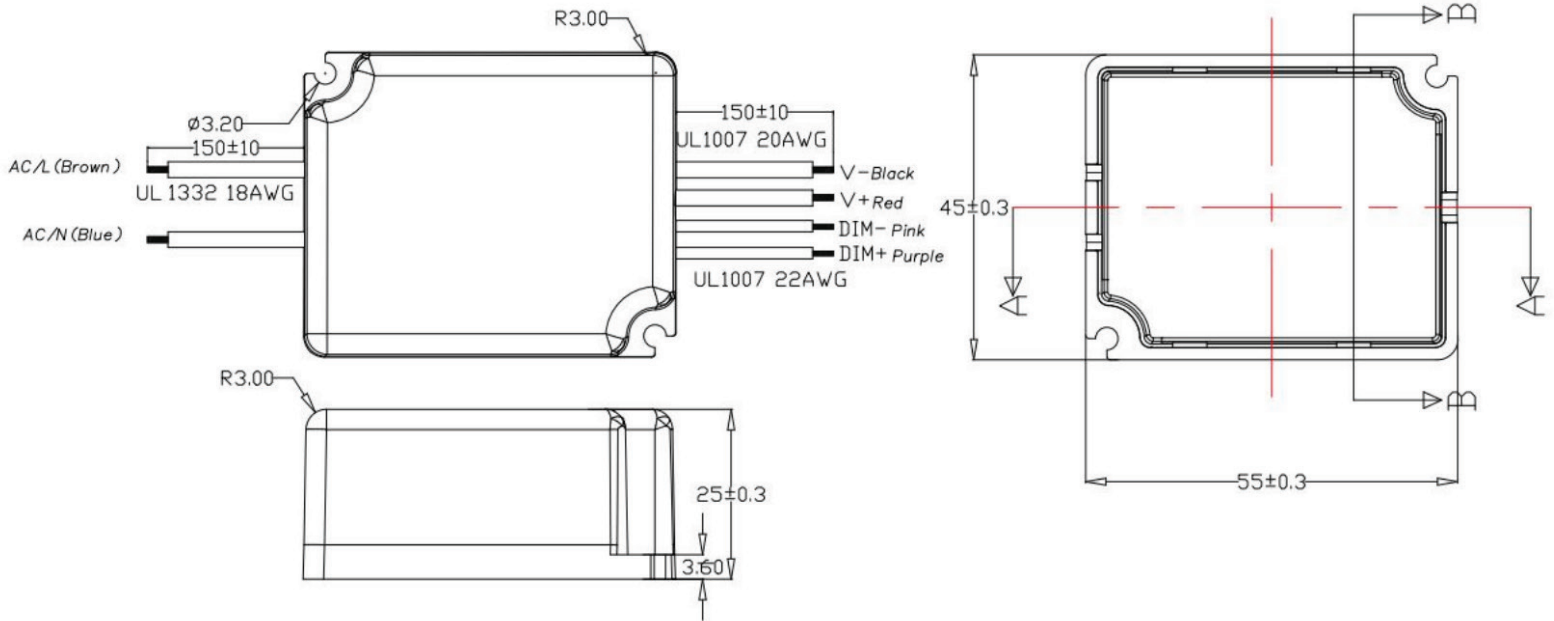
M26 series

22W Constant Current LED driver

WIRING DIAGRAM



MECHANICAL SPECIFICATION: 55 x 45 x 25 mm



Project Name:	
Type:	

M26 series

22W Constant Current LED driver

PRODUCT FEATURE

HOUSING

- Universal Input range from 100 to 277VAC
- Built-in active PFC Function
- Constant Current design (C.C mode)
- Fully Potted suitable for dry and damp location applications
- Protections: Over current/ Short Circuit/ Over Voltage
- 3 Years Warranty

WARRANTY

- See [Limited Warranty Policy](#) for more additional information



SPECIFICATIONS

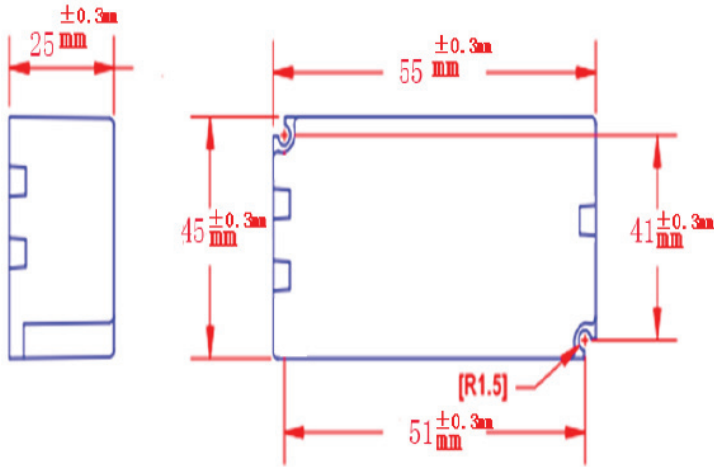
MODEL NO		LD022H-CU09524-M26	LD022H-CU06536-M26	LD022H-CU05045-M26	LD022H-CU03760-M26
OUTPUT	DC Voltage Range	12 – 24V	20 – 36V	24 – 45V	36 – 60V
	Rated Current	950mA	650mA	500mA	370mA
	Rated Max. Power	22W	22W	22W	22W
	Current Tolerance	±5%	±5%	±5%	±5%
	Ripple & Noise (Max) Note. 2	3.2Vp-p	3.9Vp-p	4.5Vp-p	6Vp-p
	Efficiency Note. 1	82%	83%	85%	85%
	Set up Time (Max)	0.5S/ 120Vac at full load			
INPUT	Rated Voltage	100 – 277VAC			
	Frequency Range	50/ 60Hz			
	AC Current (Max)	0.24A at 120Vac			
	Power Factor	> 0.9 at 230Vac with full load			
	Inrush Current (Max)	≤ 20A at 120Vac			
	Leakage Current	< 1mA/ 120Vac			
PROTECTIONS	Over Voltage	105% - 130% Output voltage limiting, auto-recovery			
	Over Current	100% - 120% Constant current limiting, auto-recovery			
	Short Circuit	Hiccup mode, recovers automatically after fault condition is removed			
ENVIRONMENT	Operation Temp.	-10°C ~ 60°C (Refer to output load derating curve)			
	Operation Humidity	20% ~ 90% RH non-condensing			
	Storage Temp	-20°C ~ +80°C			
	Storage Humidity	10% ~ 90% RH			
SAFETY & EMC	Safety Standards	Meet UL8750 refer UL1310, EN61347-1, EN61347-2-13			
	Withstand Voltage	I/P – O/P: 3.75K VAC			
	Isolation Resistance	I/P – O/P: 100M ohms/ 500VDC EN55015			
	EMI Conduction & Radiation	Meet FCC PART15 CLASSB EN55015			
	EMS Immunity	Meet EN61000-4-2, 3, 4, 5, 6, 11; EN61547; EN61000-3-2			
CONNECTION	Input	UL rated, 1332 18 AWGX 2C (150mm)			
	Output	UL rated, 1332 20 AWGX 2C (150mm), (Vo+, Vo-)			
OTHERS	MTBF	100K hours min. @Ta=25°C			
	Dimension	55 * 45 * 25 mm (L*W*H)			
	Packing/ Carton	430 * 430 * 190 mm (L*W*H)			
NOTE	1. All parameters NOT specially mentioned are measured at 120V AC input, rated load and 25°C ambient temperature. 2. Ripple & Noise are measured at 20MHZ bandwidth oscilloscope and with 0.1uf parallel capacitor. 3. The power supply is considered a component which will be installed equipment. The final equipment must be re-confirmed that it still meets EMC directives.				

M26 series

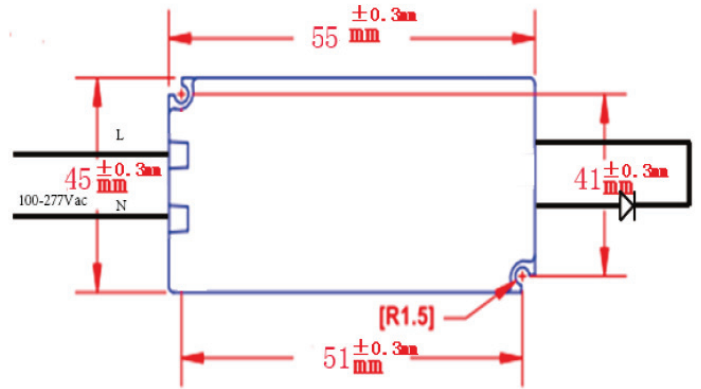
22W Constant Current LED driver

Project Name:	
Type:	

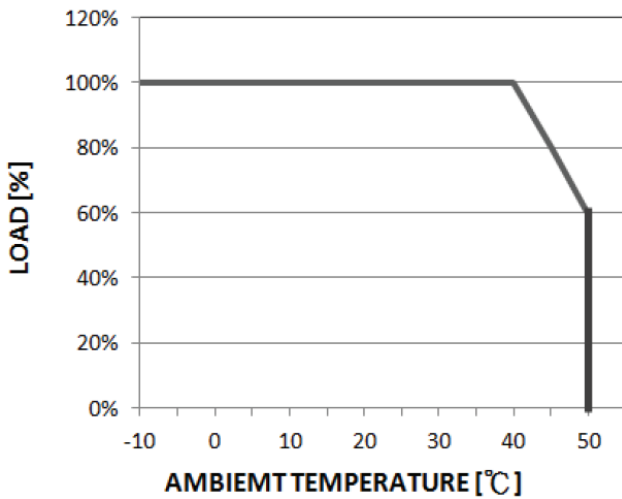
MECHANICAL SPECIFICATION: 55 x 45 x 25 mm



WIRING DIAGRAM



DERATING CURVE



STATIC CHARACTERISTICS

