

Project Name:	
Type:	

C5 Series

Exit Sign and Exit Combo

PRODUCT FEATURE

CONSTRUCTION

- Injection-molded thermoplastic housing.
- Plastic enclosure with 5VA flame retardant.
- Compact and decorative design.
- Friendly configuration design for quick installation.
- EXIT letter 6" height and 3/4" stroke, snap in and snap out direction indicator.
- Red and green color exit sign optional.
- Fully rotatable lamps head easy snap in housing.
- Black color optional.



ELECTRICAL

- 120/277VAC dual voltage input optional
- Brownout circuit protection for ST/SD fixture
- Battery low voltage protection
- Solid state transfer circuit
- Test switch and battery charging indicator
- Maintenance free Ni-cad battery
- 24 hours recharge, more than 90 minutes discharge

MOUNTING

- Suitable for wall mount, ceiling mount
- Universal J-box mounting pattern on back plate

BATTERY

- High temperature type Ni-cad battery
- Battery have to recharge if product keep in stock 9 months
- Details manual refer "BATTERY STOCK AND RECHARGE GUIDLINE".

ILLUMINATION

- Long life red or green LED lamps provide uniform diffuser illumination
- Standard model lamp head DC3.6V 0.75W, deliver 150lm from whole unit, CCT 5700K
- HO model lamp head DC 3.6V 1.2W deliver 250ml from whole unit, CCT 5700K

OPTIONS

- Basic model with manual test switch and indicator.
- RC optional with 3.6V 1.5W remote capability
- Self-testing and self-diagnostic optional
- Red and Green color exit sign optional
- LynxEM® wireless testing and reporting system available

WARRANTY

- See [Limited Warranty Policy](#) for more additional information

CODE COMPLIANCE

- UL listed and meets or exceed all requirement in NFPA 70, NFPA 101 life safety code, suitable for USA market
- Compliant CEC title 20 efficiency regulations
- Suitable for 10°C - 40°C ambient temperature, suitable for damp location

ORDER INFORMATION: EXAMPLE: C5-R-RC-CT

MODEL	LEGEND	OPTION	TEST FACILITY	HOUSING COLOR	INPUT VOLTAGE
C5 Series	R Red color G Green color	BLANK Basic model HO High lumen output RC Remote capability	BLANK Manual test CT Self-testing/ Self-diagnostics ZD CT with Wireless Reporting LynxEM® Control	W White B Black	1 120/ 277VAC

MODEL LIST

MODEL	LETTER COLOR	TEST FACILITY	BATTERY	RECHARGE TIME	EMERGENCY DURATION	INPUT			OUTPUT		
						INPUT VOLTAGE FREQUENCY	INPUT CURRENT	POWER CONSUMPTION	LAMP HEAD	LUMINOUS FLUX (INITIAL)	REMOTE CAPABILITY
C5-R	Red / Green	MT	Ni-cad 3.6V 900mAh	24 hours	90 minutes	120 / 277V 60Hz	30mAh	2.8W Max	0.75W * 2pcs	150lm	n/a
C5-R(G)-R	Red / Green	MT	Ni-cad 3.6V 900mAh, 2pcs	24 hours	90 minutes	120 / 277V 60Hz	32mAh	3.5W Max.	0.75W * 2pcs	150lm	3.6V 1.5W
C5-R(G)-HO	Red / Green	MT	Ni-cad 3.6V 900mAh, 2pcs	24 hours	90 minutes	120 / 277V 60Hz	32mAh	3.4W Max.	1.2W * 2pcs	250lm	n/a
C5-R(G)-CT	Red / Green	ST / SD	Ni-cad 3.6V 900mAh	24 hours	90 minutes	120 / 277V 60Hz	30mAh	2.8W Max	0.75W * 2pcs	150lm	n/a
C5-R(G)-RC-CT	Red / Green	ST / SD	Ni-cad 3.6V 900mAh, 2pcs	24 hours	90 minutes	120 / 277V 60Hz	33mAh	3.8W Max.	0.75W * 2pcs	150lm	3.6V 1.5W
C5-R(G)-HO-CT	Red / Green	ST / SD	Ni-cad 3.6V 900mAh, 2pcs	24 hours	90 minutes	120 / 277V 60Hz	33mAh	3.8W Max.	1.2W * 2pcs	250lm	n/a
C5-R(G)-ZD	Red / Green	ZD	Ni-cad 3.6V 900mAh	24 hours	90 minutes	120 / 277V 60Hz	30mAh	2.8W Max	0.75W * 2pcs	150lm	n/a
C5-R(G)-RC-ZD	Red / Green	ZD	Ni-cad 3.6V 900mAh, 2pcs	24 hours	90 minutes	120 / 277V 60Hz	33mAh	3.8W Max	0.75W * 2pcs	150lm	3.6V 1.5W
C5-R(G)-HO-ZD	Red / Green	ZD	Ni-cad 3.6V 900mAh, 2pcs	24 hours	90 minutes	120 / 277V 60Hz	33mAh	3.8W Max	1.2W * 2pcs	250lm	n/a

NOTES:

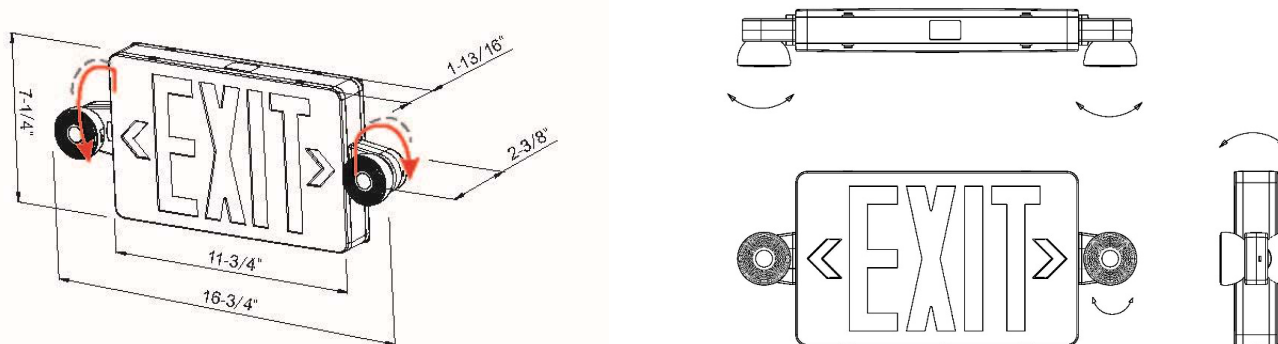
"MT" means fixture just has manual test facility.

"ST/SD" means fixture has self-test and self-diagnostic function, also including manual test facility.

"ZD" means fixture has ST/SD with wireless testing and reporting system.

3.6V1.5W remote capability for normal remote head, for constant output remote head, remote capability 1W max.

DIMENSION AND FULLY RETATIONAL LAMP HEAD



C5 Series

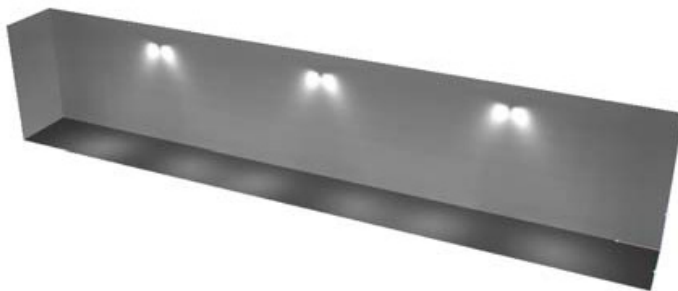
Exit Sign and Exit Combo

PHOTOMETRIC

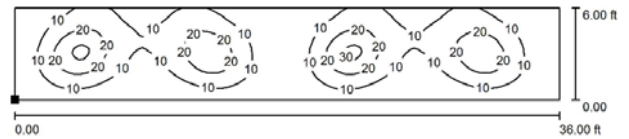
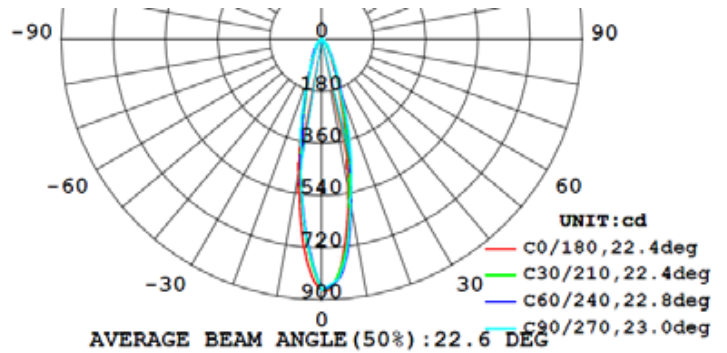
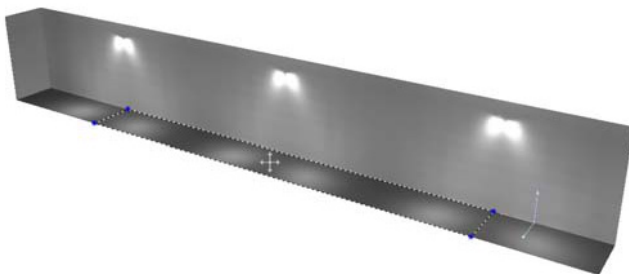
MODEL	LUMEN OUTPUT	SPACING DISTANCE WALL MOUNT 7.5FT HEIGHT	SPACING DISTANCE WALL MOUNT 10FT HEIGHT
C5	150lm	18FT	17FT
C5-HO	250lm	30FT	28FT

Compliant NFPA 101 requires 1.0 foot candle average and 0.1 foot candle minimum with a 40:1 maximum/ minimum ratio

Normal model, 150lm output



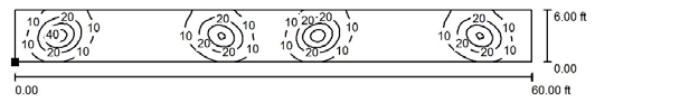
High lumen output model, 250lm output



Position of surface in room:
Marked point: (12.183 ft, -0.047 ft, 0.000 ft)

Grid: 128 x 32 Points

E_{av} [lx]	E_{min} [lx]	E_{max} [lx]	u0
12	3.25	32	0.276



Position of surface in room:
Marked point: (0.183 ft, 0.000 ft, 0.000 ft)

Grid: 128 x 32 Points

E_{av} [lx]	E_{min} [lx]	E_{max} [lx]	u0
12	1.88	46	0.161

REMOTE HEAD



RM-S *2pcs

- Single remote head, 3.6V 0.75W delivers 85lm per unit
- Operation temperature range 10°C...+ 40°C suitable for damp location
- UL, cUL listed



RM-D *1pc

- Dual remote head, 3.6V 1.5W delivers 170lm per unit
- Operation temperature range 10°C...+ 40°C suitable for damp location
- UL, cUL listed

Project Name:	
Type:	

C5 Series

Exit Sign and Exit Combo

PHOTOMETRIC

MODEL / FEATURE	C5	C5 – CT
Brownout transfer	n/a	✓
Battery low voltage disconnect	✓	✓
Overload disconnect	n/a	✓
Short circuit load disconnect	n/a	✓
Solid State transfer	✓	✓

PACKAGING

W 386MM x D 377mm x H 180MM
 QTY : 6 PCS
 N.W : 7.4 KGS
 G.W : 8.7 KGS
 MEA'S : 1.1 CUFT

