

Project Name:	
Type:	

# C4 Series

Exit Sign and Exit Combo

## PRODUCT FEATURE

### HOUSING

- Injection molded thermoplastic housing
- Plastic enclosure with 5VA flame retardant
- Compact and decorative design
- Friendly configuration design for quick installation
- Exit letter 6" height and 3/4" stroke, snap in and snap out direction indicator
- Fully rotatable lamps head easy snap in housing
- Black color optional



### ELECTRICAL

- 120/277VAC dual voltage input optional
- Brownout circuit protection for ST/SD fixture
- Battery low voltage protection
- Solid state transfer circuit
- Test switch and battery charging indicator
- Maintenance free Ni-cad battery
- 24 hours recharge, more than 90 minutes discharge

### ILLUMINATION

- Long life red or green LED lamps provide uniform diffuser illumination
- Standard model lamp head DC3.6V 0.75W, deliver 150lm from whole unit, CCT 5700K
- HO model lamp head DC 3.6V 1.2W deliver 250lm from whole unit, CCT 5700K
- LynxEM® Wireless testing and reporting system are available.

### RELATED PRODUCTS

- 🔗 [C1 Series - Exit Sign Combos](#)
- 🔗 [C2 Series - Exit Sign Combos](#)
- 🔗 [C3 Series - Exit Sign Combos](#)
- 🔗 [C5 Series - Exit Sign Combos](#)

### MOUNTING

- Suitable for wall mount, ceiling mount
- Universal J-box mounting pattern on back

### BATTERY

- High temperature type Ni-cad battery
- Battery have to recharge if product keep in stock 9 months
- Details manual refer "BATTERY STOCK AND RECHARGE GUIDLINE".

### CODE COMPLIANCE

- UL listed and meets or exceed all requirement in NFPA 70, NFPA 101 life safety code, suitable for USA market
- Compliant CEC title 20 efficiency regulations
- Suitable for 10°C - 40°C ambient temperature, suitable for damp location

### WARRANTY

- See [Limited Warranty Policy](#) for more additional information

## ORDER INFORMATION: EXAMPLE: C4-R-RC-ZD

C4	-	-	-	-	-				
MODEL	LEGEND		OPTION		TEST FACILITY	HOUSING COLOR		INPUT VOLTAGE	
<b>C4 Series</b>	<b>R</b>	Red color	<b>BLANK</b>	Basic model	<b>BLANK</b>	Manual test	<b>W</b>	White	<b>1</b> 120/ 277VAC
	<b>G</b>	Green color	<b>HO</b>	High lumen output	<b>CT</b>	Self-testing/ Self-diagnostics	<b>B</b>	Black	
			<b>RC</b>	Remote capability	<b>ZD</b>	CT with Wireless Reporting LynxEM® Control			

## MODEL LIST

MODEL	LETTER COLOR	TEST FACILITY	BATTERY	RECHARGE TIME	EMERGENCY DURATION	INPUT			OUTPUT		
						INPUT VOLTAGE FREQUENCY	INPUT CURRENT	POWER CONSUMPTION	LAMP HEAD	LUMINOUS FLUX (INITIAL)	REMOTE CAPABILITY
C4-R(G)	Red / Green	MT	Ni-cad 3.6V 900mAh	24 hours	90 minutes	120 / 277V 60Hz	30mAh	2.8W Max	0.75W * 2pcs	150lm	n/a
C4-R(G)-RC	Red / Green	MT	Ni-cad 3.6V 900mAh, 2pcs	24 hours	90 minutes	120 / 277V 60Hz	33mAh	3.5W Max.	0.75W * 2pcs	150lm	3.6V 1.5W
C4-R(G)-HO	Red / Green	MT	Ni-cad 3.6V 900mAh, 2pcs	24 hours	90 minutes	120 / 277V 60Hz	33mAh	3.4W Max.	1.2W * 2pcs	250lm	n/a
C4-R(G)-CT	Red / Green	ST / SD	Ni-cad 3.6V 900mAh	24 hours	90 minutes	120 / 277V 60Hz	30mAh	2.8W Max	0.75W * 2pcs	150lm	n/a
C4-R(G)-RC-CT	Red / Green	ST / SD	Ni-cad 3.6V 900mAh, 2pcs	24 hours	90 minutes	120 / 277V 60Hz	33mAh	3.8W Max.	0.75W * 2pcs	150lm	3.6V 1.5W
C4-R(G)-HO-CT	Red / Green	ST / SD	Ni-cad 3.6V 900mAh, 2pcs	24 hours	90 minutes	120 / 277V 60Hz	33mAh	3.8W Max.	1.2W * 2pcs	250lm	n/a
C4-G-ZD	Red / Green	ZD	Ni-cad 3.6V 900mAh	24 hours	90 minutes	120 / 277V 60Hz	30mAh	2.8W Max	0.75W * 2pcs	150lm	n/a
C4-G-RC-ZD	Red / Green	ZD	Ni-cad 3.6V 900mAh, 2pcs	24 hours	90 minutes	120 / 277V 60Hz	33mAh	3.8W Max	0.75W * 2pcs	150lm	3.6V 1.5W
C4-G-HO-ZD	Red / Green	ZD	Ni-cad 3.6V 900mAh, 2pcs	24 hours	90 minutes	120 / 277V 60Hz	33mAh	3.8W Max	1.2W * 2pcs	250lm	n/a

**Note:**

“MT” means fixture just has manual test facility.

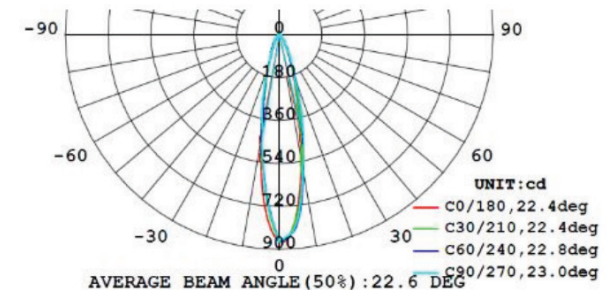
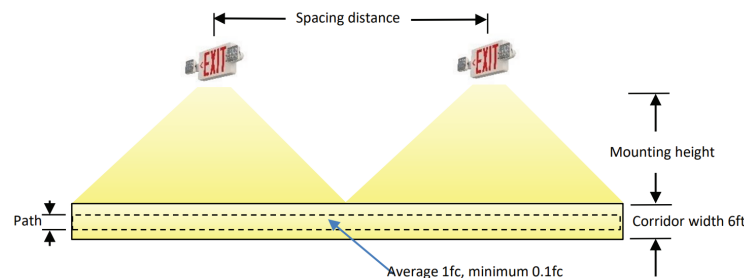
“ST/SD” means fixture has self-test and self-diagnostic function, also including manual test facility.

“ZD” means fixture has ST/SD with wireless testing and reporting system.

3.6V1.5W remote capability for normal remote head, for constant output remote head, remote capability 1W max.

## PHOTOMETRIC :

NFPA 101 requires 1.0 foot-candle average and 0.1 foot-candle minimum with a 40:1 maximum/minimum ratio. The corridor used is 100 feet long, 9 feet ceiling with a 6 feet wide walkway and 6&3 feet path of egress for calculation. The reflectance are 80% ceiling, 50% walls and 20% floors. The fixture mounting height is 7.5ft.



Project Name:	
Type:	

# C4 Series

Exit Sign and Exit Combo

## MAXIMUM SPACING GUIDELINES

MODEL	LUMEN OUTPUT	MOUNTING HEIGHT	ILLUMINATION LEVEL	SINGLE LUMINAIRE		MULTIPLE LUMINAIRES		Application Notes
				3' Path of Egress	6' Path of Egress	3' Path of Egress	6' Path of Egress	
C4	160lm	7.5'	1FC Avg	25'	20'	27'	22'	100' Corridor 6' wide, and 9' high with 80/50/20 reflectance
C4-HO	250lm	7.5'	1FC Avg	34'	29'	35'	30'	

### REMOTE HEAD :

**C4-RC (3.6V1.5W) can driver below remote heads,just make sure total remote load less than 1.5W.**



#### EXH-701-LO

- Single remote head, 3.6V 0.75W delivers 70lm per unit
- Operation temperature range 10°C...+ 40°C suitable for damp location
- UL, cUL listed



#### EXH-702-LO

- Dual remote head, 3.6V 1.5W delivers 140lm per unit
- Operation temperature range 10°C...+ 40°C suitable for damp location
- UL, cUL listed

**C4-RC (3.6V1.5W) can driver below constant power remote head, make sure total remote constant load less than 1W.**



#### WEXH-800L-1W\*1pc

- Single remote heads, DC3-12V input, Constant power 1.0W, delivers 100lm.
- Operation temperature range 25°C...+ 50°C suitable for damp location
- UL, cUL listed



#### WEXH-800L-0.75W\*1pc

- Single remote heads, DC3-12V input, Constant power 0.75W, delivers 75lm.
- Operation temperature range 25°C...+ 50°C suitable for damp location
- UL, cUL listed



#### WEXH-800N-0.75W\*2pcs

- Single remote heads, DC3.6V 1W input, delivers 75lm per unit
- Operation temperature range 25°C...+ 50°C suitable for damp location
- UL, cUL listed



#### WEXH-810N-1.5W\*1pc

- Dual remote heads, DC3.6V 2W input, delivers 150lm per unit.
- Operation temperature range 25°C...+ 50°C suitable for damp location
- UL, cUL listed

# C4 Series

Exit Sign and Exit Combo

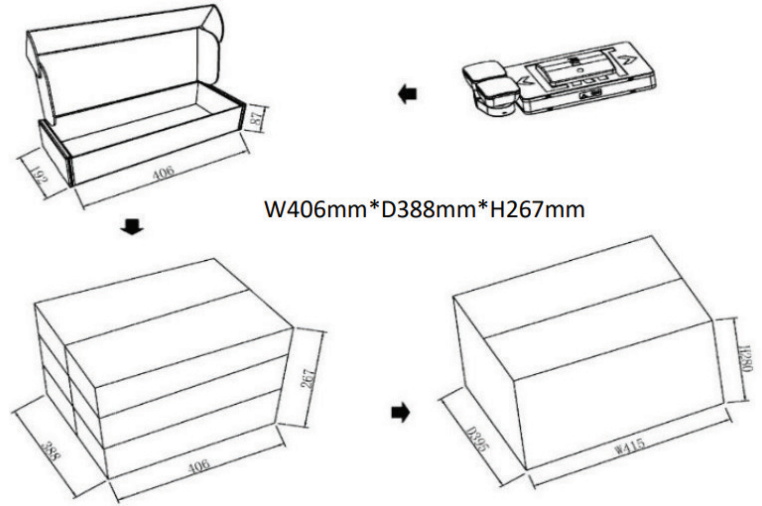
Project Name:	
Type:	

### CIRCUIT FEATURE :

MODEL / FEATURE	C4	C4 – CT
Brownout transfer	n/a	✓
Battery low voltage disconnect	✓	✓
Overload disconnect	n/a	✓
Short circuit load disconnect	n/a	✓
Solid State transfer	✓	✓

### PACKAGING :

W 406MM x D 388mm x H 267MM  
 Q'TY : 6 PCS  
 N.W : 8.2 KGS  
 G.W : 11.2 KGS  
 MEA'S : 1.6 CUFT



### DIMENSION AND FULLY RETATIONAL LAMP HEAD :

