



## Wireless Reporting and Monitoring Stand-by Emergency LED Driver



### GENERAL PRODUCT INFORMATION:

- Automatic Self-Test technology based on real-time clock.
- Monthly and Annual testing compliant to NFPA 101 regulation
- Auto adjusting Class 2 output
- Maintenance free Nickel Metal Hydride battery
- USGBC / Green Building Council Certified
- Meet CEC, Title 20 emergency efficiency requirement.
- Programmable Constant Current output meet various illumination requirements

### INPUT SPECIFICATIONS:

Input Voltage : 120 – 277Vac  
 Freq. Range : 50 – 60 Hz  
 Input Power : Max. 55mA; 3.9W (7W)  
 Max. 85mA; 6W (10W)  
 Max. 100mA; 7W (21W)

### OUTPUT SPECIFICATIONS:

Output Voltage : 12 – 48VDC  
 Output Current : 875mA – 145mA, Programmable  
 Max. Wattage : 7 to 21 Watts; Programmable



iES-H007L-LM , iES-H010L-LM



iES-H007L-HM, iES-H010L-HM



iES-H021L-HM



iES-N007L-NP, iES-N010L-NP & iES-N021L-NP,



Available battery pack for NP-Series

### OUTPUT SPECIFICATIONS:

Ambient Operating Temp. 0 to 50 C  
 Safety Approval : UL/cUL Listed  
 EMI Compliance : FCC Part 15, Class A



## Wireless Reporting and Monitoring Stand-by Emergency LED Driver

### MODEL SELECTION

Model No.	Emergency Power	Output Vdc		Factory Output mA	Max Output W	SW1	SW2	SW3	SW4 (Default)
		Min	Max						
iES-H007L-HMx	7.0W	12.0	16.0	440	7	On	Off	Off	Off
iES-H007L-LMx		16.0	24.0	290	7	Off	On	Off	Off
iES-H007L-NPx		24.0	36.0	195	7	Off	Off	On	Off
		36.0	48.0	145	7	Off	Off	Off	On

Model No.	Emergency Power	Output Vdc		Factory Output mA	Max Output W	SW1	SW2	SW3	SW4 (Default)
		Min	Max						
iES-H010L-HMx	10.5W	12.0	16.0	625	10.5	On	Off	Off	Off
iES-H010L-LMx		16.0	24.0	425	10.5	Off	On	Off	Off
		24.0	36.0	280	10.5	Off	Off	On	Off
iES-H010L-NPx		36.0	48.0	210	10.5	Off	Off	Off	On

Model No.	Emergency Power	Output Vdc		Factory Output mA	Max Output W	SW1	SW2	SW3	SW4 (Default)
		Min	Max						
iES-H021L-HMx	21.0W	18.0	24.0	875	21	On	Off	Off	Off
iES-H021L-LMx		24.0	36.0	580	21	Off	On	Off	Off
		36.0	42.0	500	21	Off	Off	On	Off
iES-H021L-NPx		42.0	48.0	435	21	Off	Off	Off	On

### AUTO TESTING - SELF DIAGNOSTIC OPERATION:

This unit automatically performs a 90 - second discharge test every month, and a full 90 - minute discharge test once a year. During routine testing, the self-testing emergency driver simulates an AC power failure causing the unit to automatically switch to emergency mode. The unit will monitor the operation of the lighting fixture, internal battery voltage, discharging current, and emergency duration. If the emergency system functions properly, then the unit will return to normal mode. Should the unit detect any problems, the indicator light will flash continually until the condition has been corrected and the unit passes the next test (see LED indicator guide).

- If the condition has not been corrected by the next scheduled test, the unit will once again detect the failure and signal the failure indicator.
- To cancel a test, press and hold the Multifunction Button ONCE for less than 1 seconds.
- To perform manual self-test push and hold Multifunction button for minimum of 3 seconds. Once button is released emergency driver will perform the 90 second diagnostic test. After Self-testing is completed, the indicator light will flash per testing results (see LED indicator guide).
- You can configure the Auto Testing in to Wireless Network version by flip the deep switch and adding antenna at any time. The unit will join the network to perform remote testing and reporting functions.

NOTE: For short-term testing of the emergency function, the battery must be charged for at least one hour. The emergency driver must be charged for at least 24 hours before conducting a long-term test.

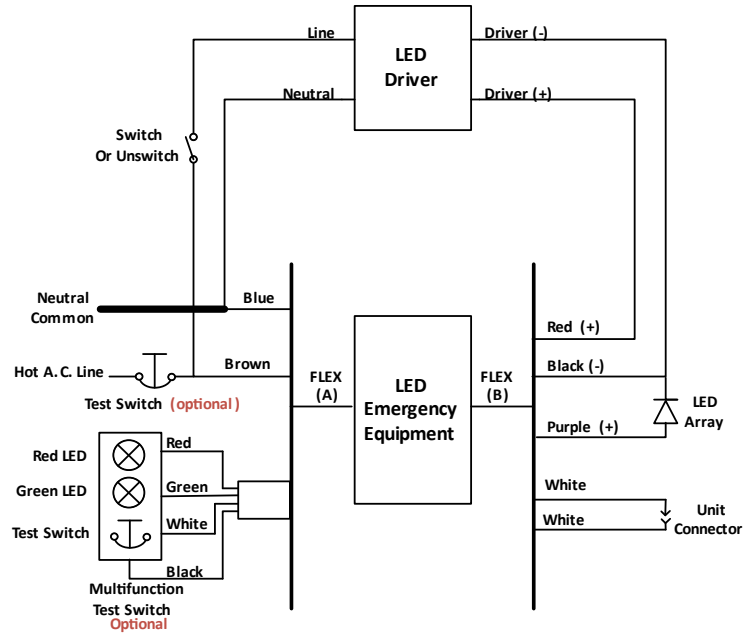


# Wireless Reporting and Monitoring Stand-by Emergency LED Driver

## INDICATOR PANEL STATUS CHART:

STATUS INDICATORS		PROBLEM	CORRECTIVE ACTION
Green Light	Red Light		
ON steady	OFF	NONE	None, Unit is fully charged and working correctly.
Flashing Slow (2s interval)	OFF	NONE	None, Unit is in Charging mode.
OFF	ON steady	NONE	None, AC is lost and Unit is in Emergency Discharging mode.
OFF	Flashing Slow (2s interval)	NONE	None, Unit is in Self-testing mode
Flashing Fast (0.5s interval)	OFF	NONE	Press test button to clear message. Unit is passed Self-testing.
OFF	Flashing Fast (0.5s interval)	Self-testing Fail	1. Check the wiring; 2. Allow unit to charge for 24 hours. Perform manual test. If failure mode continues, emergency driver should be replaced;
OFF	OFF	Battery Failure	1. Check the battery Connector 2. If battery connection is good, the battery or emergency driver should be replaced

## FIELD INSTALLATION WIRING DIAGRAM:

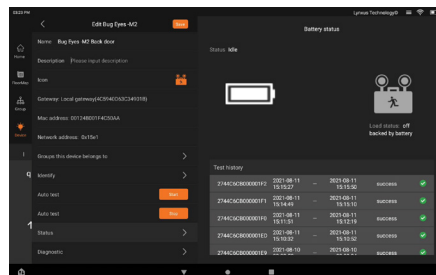


- A peace of mind
- Real-time battery health statuses
- Device map for easy accessing

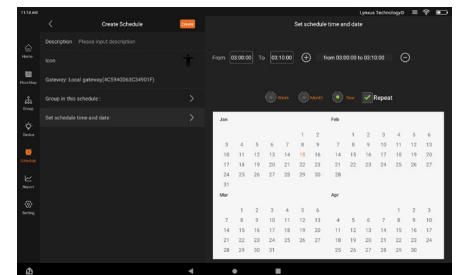
- Programmable output reduce SKU
- Cost savings with group testing command



Real-time Battery Status



Interactive Mapping with full control



Synergistic Schedule



## Wireless Reporting and Monitoring Stand-by Emergency LED Driver



### MECHANICAL DRAWINGS & DIMENSIONS:

Dimensions: 20.08" x 1.18" x 1.18"  
(510.032mm x 29.972mm x 24.972mm)

