



- Lutron Athena Compatible - Single and Dual outputs
- 0-10V dimmable or D4i Compatible
- DALI2 DT6 or DT8 compatible

Model	# of Output	Output Type	Output	Output Current	Aux.	Programmable	Max. Power	Dimming Methods					Control				Case Style			Safety Approval		
			(VDC)	(mA)				Output	(Watts)	TRIAC	ELV	0-10V	PWM	Dim %	Casambi	ZigBee	DALI2	D4i	Plastic		Metal	Aluminum
Q25-U42-yyyy-XP	1	CC	3-42	750mA max	•	DIP SW	25			•		1%							•			Pending
Q25-U42-yyyy-XPD	2	CC	3-42	750mA max		USB							1%						•			

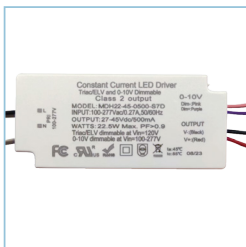
Dimension:
 XP : 102 x 30.0 x 20.0mm
 XPD 221 x 80.3 x 20.0mm



- Lutron Athena Compatible - Selected Models
- Single Output for Static White - Aux. output available
- 0-10V, phase-cut dimmable
- DALI2 DT6 or DT8 compatible when paired with DA-010 or DA-020
- Programmable

Model	# of Output	Output Type	Output	Output Current	Aux.	Programmable	Max. Power	Dimming Methods					Control				Case Style			Safety Approval		
			(VDC)	(mA)				Output	(Watts)	TRIAC	ELV	0-10V	PWM	Dim %	Casambi	ZigBee	DALI2	D4i	Plastic		Metal	Aluminum
QM20-U48-yyyy-XP	1	CC	20-48	625-300		USB	20	•	•	•	•	1%	Optional	Optional				•			UL, CE	
QM20-Uxx-XP	1	CV	12 or 24	1660 / 830		N/A		•	•	•	•	1%	Optional	Optional				•				
QM32-U48-yyyy-XX	1	CC	Oct-48	500 - 1050		NFC	32	•	•	•	•	1%	Optional	Optional				•			cUL, CE	
QM32-U24-zz	1	CV	24	1330		N/A		•	•	•	•	1%	Optional	Optional				•				
QM40-U48-yyyy-XP	1	CC	20-48	1250-250		DIP Switch	40	•	•	•	•	1%	Optional	Optional				•			UL, CE	
QM40-U24-XP	1	CV	24	1660		N/A		•	•	•	•	1%	Optional	Optional				•				
QM50-U48-yyyy-XP	1	CC	20-48	1900-250		DIP Switch	50	•	•	•	•	1%	Optional	Optional				•			UL, CE	
QM50D-U48-yyyy-XP	3	CC	20-48	1250-250	•	DIP Switch		•	•	•	•	1%	Optional	Optional				•				
		CV	12	200		N/A		•	•	•	•	1%	Optional	Optional				•				
QM50-U24z-XP	2	CV	24	1900	•	N/A		•	•	•	•	1%	Optional	Optional				•				
QM100-U48-yyyy-XP	1	CC	20-48	4100-2000	•	NFC	100	•	•	•	•	1%	Optional	Optional						•	UL, CE	
		CV	12	20		N/A		•	•	•	•	1%	Optional	Optional								
QM100D-U48-yyyy-XM	3	CC	20-48	4100-2000	•	NFC		•	•	•	•	1%	Optional	Optional						•		
		CV	12	200		N/A		•	•	•	•	1%	Optional	Optional								
QM100-U24z-XP	2	CV	24	4100	•	N/A		•	•	•	•	1%	Optional	Optional						•		
		CV	12	200		N/A		•	•	•	•	1%	Optional	Optional								

Dimension:
 QM20 Series: 85.3 x 37.9 x 27.7mm
 QM32 Series: 224 x 31 x 16.5mm
 QM40 Series : 88.6 x 41.6 x 30mm
 QM50 Series : 107.5 x 43.5 x 32mm
 QM100 Series: QM100-U48z-yyyy-LP, QM100-U24z-LP: 277.36 x 69 x 37.1mm
 QM100-U48z-yyyy-BM, QM100-U24z-BM : 234.7 x 69 x 37mm
 QM100-U48z-yyyy-MB, QM100-U24z-MB : 234.7 x 69 x 37mm
 QM100-U48z-yyyy-SB, QM100-U24z-SB : 192 x 69 x 37mm



- Single Output for Static White - without Aux. output
- 0-10V & phase-cut dimmable
- DALI2 DT6 compatible when paired with DA-010 converter

Model	# of Output	Output Type	Output	Output Current	Aux.	Programmable	Max. Power	Dimming Methods					Control				Case Style			Safety Approval
			(VDC)	(mA)				Output	(Watts)	TRIAC	ELV	0-10V	PWM	Dim %	Casambi	ZigBee	DALI2	D4i	Plastic	
MDH22-45-0200-S7D	1	CC	24-42	200		N	20	•	•	•		3%					•			cUL, CE
MDH22-45-0250-S7D	1	CC	24-42	250		N	20	•	•	•		3%					•			cUL, CE
MDH22-45-300-S7D	1	CC	24-42	300		N	20	•	•	•		3%					•			cUL, CE
MDH22-45-350-SD7	1	CC	24-42	350		N	20	•	•	•		3%					•			cUL, CE
MDH22-45-400-SD7	1	CC	24-42	400		N	20	•	•	•		3%					•			cUL, CE
MDH22-45-450-SD7	1	CC	24-42	450		N	20	•	•	•		3%					•			cUL, CE
MDH22-45-500-SD7	1	CC	24-42	500		N	20	•	•	•		3%					•			cUL, CE
MDH22-45-550-SD7	1	CC	21-36	550		N	20	•	•	•		3%					•			cUL, CE
MDH42-24-YYYY-S8D	1	CC	13-24	500-900		N	21.6	•	•	•		3%					•			cUL, CE
MDH42-36-YYYY-S8D	1	CC	21-36	500-900		N	32.4	•	•	•		3%					•			cUL, CE
MDH42-45-YYYY-S8D	1	CC	27-42	500-900		N	40.5	•	•	•		3%					•			cUL, CE
MDH62-24-YYYY-S9D	1	CC	13-24	900-1400		N	33.6	•	•	•		3%					•			cUL, CE
MDH62-36-YYYY-S9D	1	CC	21-36	900-1400		N	50.4	•	•	•		3%					•			cUL, CE
MDH62-45-YYYY-S9D	1	CC	27-45	900-1400		N	63	•	•	•		3%					•			cUL, CE
MDH62-54-YYYY-S9D	1	CC	36-54	700-1100		N	59.4	•	•	•		3%					•			cUL, CE

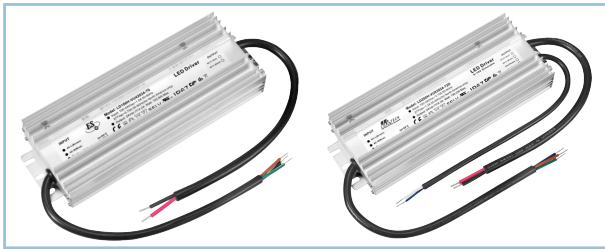
Dimension:
 MDH22 : 80.4 x 36.2 x 23.1mm
 MDH42 : 90.4 x 40.2 x 28.1mm
 MDH62 : 149.8 x 40 x 30mm



- Single Output for Static White - without Aux. output
- 0-10V dimmable
- DALI2 DT6 compatible when paired with DA-010 converter

Model	# of Output	Output Type	Output	Max. Output	Aux.	Programmable	Max. Power	Dimming Methods					Control				Case Style			Safety Approval
			(VDC)	(mA)				Output	(Watts)	TRIAC	ELV	0-10V	PWM	Dim %	Casambi	ZigBee	DALI2	D4i	Plastic	
Q12	1	CC/CV	12-54	1300		N	12			•							•	•		cUL, CE
Q22	1	CC/CV	12-54	2500		N	25			•							•	•		cUL, CE
Q38	1	CC/CV	24-72	1850		N	40			•							•	•		cUL, CE
Q48	1	CC/CV	24-72	2200		N	50			•							•	•		cUL, CE
Q58	1	CC/CV	24-72	2650		N	60			•							•	•		cUL, CE
Q68	1	CC/CV	24-72	3150		N	70			•							•	•		cUL, CE

Dimension:
 Q12-XP: 85.3 x 37.9 x 27.7mm
 Q22-XP: 88.6 x 41.6 x 30.0mm
 Q38-XM, Q48-XM, Q58-XM, Q68-XM: 138 x 47.0 x 32mm
 Q38-XP, Q48-XP, Q58-XP, Q68-XP: 127.3 x 30 x 76.3mm



- 0-10V dimmable
- DALI2 DT6 compatible when paired with DA-010 converter

Model	# of Output	Output Type	Output	Output Current	Aux.	Programmable	Max. Power	Dimming Methods					Control				Case Style			Safety Approval			
			(VDC)	(mA)				Output	(Watts)	TRIAC	ELV	0-10V	PWM	Dim %	Casambi	ZigBee	DALI2	D4i	Plastic		Metal	Aluminum	
LD100H-VU83012-70(X)	1	CV	12	99.6			100				•	•	10%						•			cUL, CE	
LD100H-VU42024-70(X)	1	CV	24	100.8								•	•	10%						•			cUL, CE
LD100H-VU28036-70(X)	1	CV	36	100.8								•	•	10%						•			cUL, CE
LD100H-VU21048-70(X)	1	CV	48	100.8								•	•	10%						•			cUL, CE
LD200H-VU1K612-72(X)	1	CV	12	200.4			200				•	•	10%						•			cUL, CE	
LD200H-VU83034-72(X)	1	CV	24	199.2								•	•	10%						•			cUL, CE
LD200H-VU55036-72(X)	1	CV	36	198								•	•	10%						•			cUL, CE
LD200H-VU41548-72(X)	1	CV	48	199.2								•	•	10%						•			cUL, CE
LD300H-VU1K224-74(X)	1	CV	24	350			300				•	•	10%						•			cUL, CE	
LD300H-VU83336-74(X)	1	CV	36	400								•	•	10%						•			cUL, CE
LD300H-VU62548-74(X)	1	CV	48	500								•	•	10%						•			cUL, CE
LD400H-VU1K624-76(X)	1	CV	24	400.8			400				•	•	10%						•			cUL, CE	
LD400H-VU1K136-76(X)	1	CV	36	399.6								•	•	10%						•			cUL, CE
LD400H-VU83348-76(X)	1	CV	48	398.4								•	•	10%						•			cUL, CE

Dimension: (L x W x H)

- LD100H : 230 x 80.3 x 33.5mm
- LD200H : 230 x 80.3 x 33.5mm
- LD300H : 223.2 x 98 x 38.5mm
- LD400H : 273.2 x 98 x 38.5mm



- Phase-cut dimmable

Model	# of Output	Output Type	Output	Max. Output	Aux.	Programmable	Max. Power	Dimming Methods					Control				Case Style			Safety Approval		
			(VDC)	(mA)				Output	(Watts)	TRIAC	ELV	0-10V	PWM	Dim %	Casambi	ZigBee	DALI2	D4i	Plastic		Metal	Aluminum
M9	1	CC	9-30	750		N	10	•	•										•			cUL, CE
M18	1	CC	10-30	830		N	22	•	•										•			cUL, CE
M28	1	CC	15-54	1250		N	30	•	•										•	•		cUL, CE
M38	1	CC	15-54	1660		N	40	•	•										•	•		cUL, CE
M48	1	CC	15-54	2090		N	50	•	•										•			cUL, CE

Dimension:

- M9 Series : 70.5 x 34.5 x 25mm
- M18 Series : 85.3 x 37.9 x 27.7mm
- M28-XM & M38-XM Series : 121 x 42 x 29mm
- M28-XP & M38-XP Series : 88 x 41 x 30mm
- M27-XP Series : 71 x 41 x 29mm
- M48-XP Series : 138 x 47 x 41.3mm



• Phase-cut Constant Voltage

Model	# of Output	Output Type	Output	Output Current	Aux.	Programmable Output	Max. Power (Watts)	Dimming Methods					Control				Case Style			Safety Approval
			(VDC)	(mA)				TRIAC	ELV	0-10V	PWM	Dim %	Casambi	ZigBee	DALI2	D4i	Plastic	Metal	Aluminum	
LD024D-VA20012-M28	1	CV	12	2000			24	•									•			UL, cUL
LD024D-VA10024-M28	1	CV	24	1000			24	•									•			UL, cUL
LD040D-VA34012-M30	1	CV	12	3000			40	•									•			UL, cUL
LD040D-VA17024-M30	1	CV	24	1700			40	•				1-100%					•			UL, cUL
LD040D-VA34012-M30X	1	CV	12	3000			40	•				1-100%						•		UL, cUL
LD040D-VA17024-M30X	1	CV	24	1700			40	•				5%-100%						•		UL, cUL
LD060D-VA50012-M40	1	CV	12	5000			60	•				1-100%					•			UL, cUL
LD075D-VA32024-M40	1	CV	75	3200			70	•				5%-100%					•			UL, cUL
LD060D-VA50012-M40X	1	CV	12	5000			60	•				1-100%						•		UL, cUL
LD075D-VA32024-M40X	1	CV	75	3200			70	•				5%-100%						•		UL, cUL
LD096D-VA40024-19A	1	CV	96	4000			95	•				1-100%						•		UL, cUL
LD096D-VA40024-19AX	1	CV	96	4000			95	•				5%-100%						•		UL, cUL

Dimension:

LD096D-VA40024-19A, LD096D-VA40024-19AX : 88.5 x 41.5 x 30.5 mm
 LD040D-VA34012-M30, LD040D-VA17024-M30 : 107.5 x 43.5 x 32 mm
 LD040D-VA34012-M30X, LD040D-VA17024-M30X : 303 x 62 x 39 mm
 LD060D-VA50012-M40, LD075D-VA32024-M40 : 137.5 x 47 x 32 mm
 LD060D-VA50012-M40X, LD075D-VA32024-M40X : 303 x 62 x 39 mm
 LD096D-VA40024-19A : 225 x 68 x 40mm
 LD096D-VA40024-19AX : 375 x 78 x 46 mm



• Phase-cut dimmable

Model	# of Output	Output Type	Output	Output Current	Aux.	Programmable Output	Max. Power (Watts)	Dimming Methods					Control				Case Style			Safety Approval				
			(VDC)	(mA)				TRIAC	ELV	0-10V	PWM	Dim %	Casambi	ZigBee	DALI2	D4i	Plastic	Metal	Aluminum					
MD22-U24-xxxx-Xz	1	CC	14-24	500-250		N	10	•	•															
MD22-U30-xxxx-Xz			16-30	400-200																				
MD22-U36-xxxx-Xz			20-36	350-170																				
MD22-U42-xxxx-Xz			27-42	300-150																				
MD22-U54-xxxx-Xz			36-54	250-120																				
MD22-U54-xxxx-Xz			14-24	1000-500	20																			
MD22-U30-xxxx-Xz			16-30	770-400																				
MD22-U36-xxxx-Xz			20-36	670-340																				
MD22-U42-xxxx-Xz			27-42	580-290																				
MD22-U54-xxxx-Xz			36-54	450-230																				
MD42-U24-xxxx-Xz	1	CC	14 - 24	2000 - 1000		N	40	•	•															
MD42-U30-xxxx-Xz			16 - 30	1540 - 800																				
MD42-U36-xxxx-Xz			20 - 36	1340 - 670																				
MD42-U42-xxxx-Xz			27 - 42	1150 - 580																				
MD42-U54-xxxx-Xz			36 - 54	890 - 450																				

Dimension:

MD22-XP Series: 85.3 x 37.9 x 25.0mm
 MD42-XM Series: 114 x 42.0 x 29.0mm
 MD42-XM Series: 88 x 41 x 34.8mm



- DALI2 to 0-10V converter - DT6 for single channel LED
- Powered by DALI bus without the need of external PSU

Model	# of Output	Output Type	Input	Input	Aux.	Output	Sink	Compatibility	Control				Case Style			Safety Approval	
			(VDC)	(mA)		(VDC)	(mA)		Dim %	Casambi	ZigBee	DALI2	D4i	Plastic	Metal		Aluminum
DA-010	1	Linear	12-22.5	9.5		0-10	< 2	DALI2 DT6				•		•			CE

Dimension:
DALI-010 Converter: 57 x 40 x 20.5mm



- DALI2 to 0-10V converter - DT8 for dual channel LED
- Powered by DALI bus without the need of external PSU

Model	# of Output	Output Type	Input	Input	Aux.	Output	Sink	Compatibility	Control				Case Style			Safety Approval	
			(VDC)	(mA)		(VDC)	(mA)		Dim %	Casambi	ZigBee	DALI2	D4i	Plastic	Metal		Aluminum
DA-020	1	Linear	12-22.5	9.5		0-10	< 2	DALI2 DT8				•		•			CE

Dimension:
DALI-020 Converter: 50 x 45 x 20mm



- M26D Series 0-10V dimmable solution

Model	# of Output	Output Type	Output	Output	Aux.	Programmable Output	Max. Power (Watts)	Dimming Methods				Control				Case Style			Safety Approval	
			(VDC)	(mA)				TRIAC	ELV	0-10V	PWM	Dim %	Casambi	ZigBee	DALI2	D4i	Plastic	Metal		Aluminum
LD022H-CU09024-M26D		CC	6-24	900mA						•		1-100%					•			UL
LD022H-CU06040-M26D		CC	6-40	600mA						•		1-100%					•			UL
LD022H-CU04554-M26D		CC	6-54	450mA						•		1-100%					•			UL

Dimension:
55 x 45 x 25 mm



WTC-T , ZBA-T001B



WTC-N

• Wireless Controller



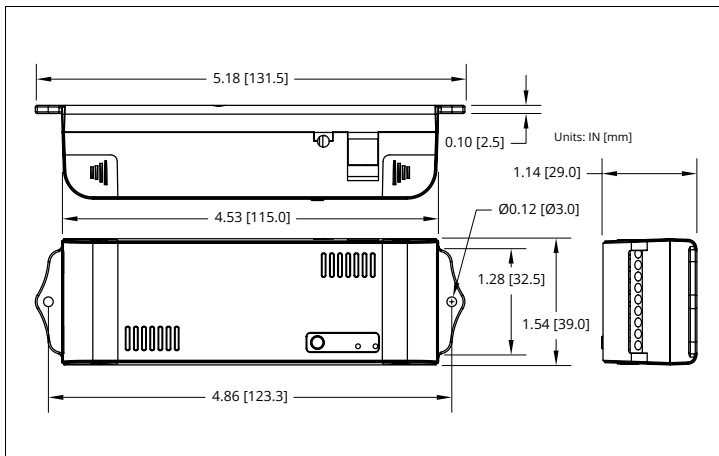
This innovated and multi-function wireless fixture adapter is designed to work flawlessly within any Casambi communication systems. The ZBA-E001B, WTC-001N and ZTA-T001B can be used with one to one or one to multiple luminaries environment.

The Controllers not only provides wireless control to the luminaries. It also provides On/Off and versatile analog dimming controls. The wide range AC input from 110VAC to 277VAC solved the problem during field installations. ZBA-T001 works from 100-240VAC. It's compact form-factor gives fixture manufactures an easier way to adapt during this designing stage. The isolated 12 or 24VDC output provides source voltages for low voltage occupancy and/ or photo sensors. Tethered with ZBA-E001B or WTC-001N you can turn non-wireless sensor into Casambi ready sensor to join the network.

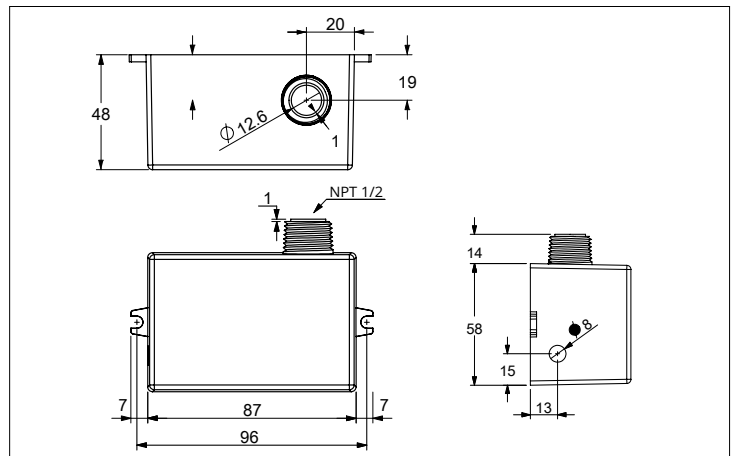
	Load-Controller		Phase-cut
MODEL NUMBER	WTC-T00-2W-1-cam	WTC-N00-2W-1-cam	ZBA-T001B
COMPATIBILITY	Casambi		
INPUT	110 – 277VAC/ 50 – 60Hz		
OUTPUT RELAY	110 – 277VAC/ 50 – 60Hz, 10 Amps Max.	110 – 277VAC/ 50 – 60Hz, 10, 15, 20 Amps Max.	N/A
OUTPUT PHASE-CUT	N/A	N/A	2Amps
LOW VOLTAGE OUTPUT	12 or 24VDC; 50mA		
SENSOR SUPPROT (Optional)	Occupancy Sensor Linear Sensor		N/A
OPERATING ENVIRONMENT	-20 to +65°C		
RADIO PROPERTIES	2.4GHz, +8dBm Transmit Power		
BUILD IN ANTENNA	Default		
EXTERNAL ANTENNA (Optional)	Optional with connector	Optional with connector	N/A
DIMMING CONTROL	0-10VDC @ 2mA max		AC Phase-cut
DIMENSIONS	123.3 x 39 x 29mm (L x W x H)	87 x 58 x 48mm (L x W x H)	123.3 x 39 x 29mm (L x W x H)
COMPLIANCE	ETL/ FCC Certified	ETL/ FCC Certified	ETL/ FCC Certified
WARRANTY	5 YEAR		

ORDER INSTRUCTIONS	
WTC-T00-2W-cam	Load Controller, 0-10 dimming
WTC-N00-2W-cam	Load Controller 0-10 dimming
ZBA-T001B	AC- Phase-cut

WTC-T & ZBA-T001B



WTC-N





· ATOM In-wall Switch



The ATOM Wireless Wall-mount Switch is designed to replace traditional in-wall switch with modern wireless technologies. It is capable of providing multi-functions and allow wirelessly control lighting devices in various platforms. This is a must have components to excel user experiences in the wireless environment.

Key Features :

- Best low power load support, no bypass part or low power light adapter required
- Default local circuit operate and do not require system control
- BT 5.0 compatible Casambi BT 5.0 Mesh
- Power failure memory to return to its previous set level prior to the interruption of power
- Compatible to designer style wall-plates or standard off-the-shelf wall plates
- Fit in 1-gang U.S. wall-box ; 2 1/2" minimum depth recommended
- Neutral with required design make installation easier.
- Available color - white

Specification :

Compatibility	: Casambi ; BT 5.0
Input	: 110 ~ 277VAC/47-63Hz
Relay switching capability	: 5A/120VAC; 3A/277VAC - Optional
Operating Environment	: 0 - 50 Deg. C
Radio Properties	: BT 5.0 2.4GHz
Internal Antenna	: Built-in
Controls	: 2 to 8 buttons for on/off; dim; scene selection
Dimensions	: 44.40 x 33.20 x 105mm (L x W x H)
Warranty	: 5 Year

WS-	Q		R		ZZ		S		Y-		X-		T	
	RELAY FOR AC ON/OFF		LOCATION		NUMBER OF BUTTONS		NEUTRAL WIRE		WIRELESS COMMUNICATION PROTOCOL		0-10V DIMMING		FACE PLATE COLOR (Optional Note 1)	
WS	T	For Yes	A	For USA: 110 - 277VAC input	04	4 Buttons	0	Yes (With) for Zigbee or Bluetooth	1	Zigbee	0	No (Only option for Battery)	A1	Dark Chocolate
			E	For Europe: 230VAC input									A2	Warm Caramel
	N	For No (Only option for Battery)	C	For USA: Battery operated	06	6 Buttons	N	No (Without), for Zigbee only	2	Bluetooth *Note 2	1	Yes	A3	Moon Rock
			D	For Europe: Battery operated *Note 1									A4	Silver Gray
			A5	Pebble Gray										
			A6	Off-White										
W	No face plate													

Note 1: Not available, please call for more details.

Note 2: AC version, face plate is not included; Battery version, face plate is included A4 Silver Gray.

Note 3: Four AAA batteries (Not included)

Standard or Non-neutral

Battery Operated

