

Project Name:	
Type:	

CEM-960N Series

Chicago Approved
Emergency Unit

PRODUCT FEATURE:

CONSTRUCTION

- 20-gauge steel housing with white powder coating
- Polycarbonate Lamp head lens
- Lamp heads adjustment from 80° vertical and 350° rotation

ELECTRICAL

- Universal Voltage Input 120-277 VAC, 50/60 Hz
- Maximum power consumption 4W(@CEM-960N)
Maximum power consumption 4.5W(@CEM-960N-HO)
- Solid-State Voltage Limited Charger
- Overload/Short Circuit Protection
- Test Switch/Power Indicator Light

MOUNTING

- Knockouts for conduit,
- Universal pattern knockouts on back plate for direct mounting to junction box

BATTERY

- RoHS compliance LiFePO4 battery
- Maintenance-free with a cycle life expectancy of 2000 times
- Performance over a wide range of temperatures



LAMPS

- Each lamp heads used 3pcs power LED

CODE COMPLIANCE

- UL 924 Listed
- Life Safety NFPA 101
- NEC/OSHA
- City of Chicago Fire Code

WARRANTY

- See [Limited Warranty Policy](#) for more additional information

ORDER INFORMATION:

CEM-960N	-						
MODEL	REMOTE CAPABILITY						
CEM-960N	<table border="1"> <tr> <td>BLANK</td> <td>No remote capability</td> </tr> <tr> <td>RC</td> <td>Remote capability (6V Max 3W)</td> </tr> <tr> <td>HO</td> <td>3pcs lamp head</td> </tr> </table>	BLANK	No remote capability	RC	Remote capability (6V Max 3W)	HO	3pcs lamp head
BLANK	No remote capability						
RC	Remote capability (6V Max 3W)						
HO	3pcs lamp head						

Example: CEM-960N-HO

Three Lamp heads heavy duty emergency light

Example: CEM-960N-RC

Two lamp heads with remote capability emergency light

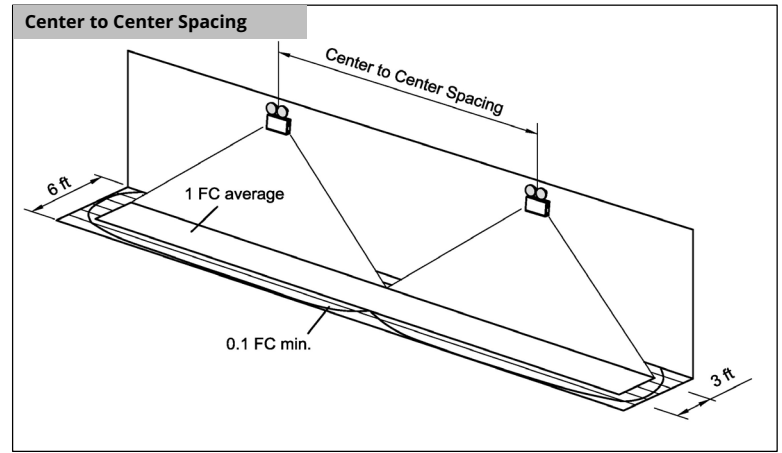
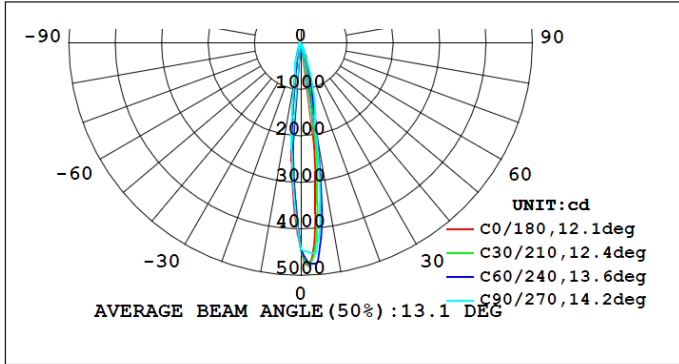
Model	Test Facility	Battery	Recharge Time	Emergency Time	Input Rating				Output Rating		
					Voltage	Hz	mA	W	Lamp Head	Lumen Output	Remote Capability
CEM-960N	Manual Test	LifePO4 6.4V1500mAh	24 hours	90 minutes	120-277VAC	50/60	100	4	3W 2pcs	800lm	N/A
CEM-960N-RC		LifePO4 6.4V3200mAh						4.5	3W 2pcs	800lm	6V, 3W Max
CEM-960N-HO		LifePO4 6.4V3200mAh						4.5	3W 3pcs	1200lm	N/A

Project Name:	
Type:	

CEM-960N Series

Chicago Approved
Emergency Unit

PHOTOMETRIC:



NFPA 101 requires 1.0 foot-candle average and 0.1 foot-candle minimum with a 40:1 maximum/minimum ratio. The corridor used is 100 feet long, 9 feet ceiling with a 6 feet wide walkway and 3 feet path of egress. The reflectance are 80% ceiling, 50% walls and 20% floors. The fixture mounting height is 7.5 feet.

Model	Spacing distance Wall mount 7.5ft height 3ft path egress	Spacing distance Wall mount 7.5ft height 6ft path egress	Spacing distance Wall mount 10ft height 3ft path egress	Spacing distance Wall mount 10ft height 6ft path egress
CEM-960N	75ft	70ft	70ft	68ft
CEM-960N-HO	105ft	100ft	105ft	100ft

REMOTE HEAD OPTION:



CRM-S*2pcs

- Single remote head, 6VDC, 1.5W delivers 200lm per unit.
- Operation temperature range 0°C...+50°C Suitable for damp location.
- UL, cUL listed.



CRM-D*1pcs

- Single remote head, 6VDC, 3W delivers 400lm per unit.
- Operation temperature range 0°C...+50°C Suitable for damp location.
- UL, cUL listed.

PRODUCT DIMENSION:

