

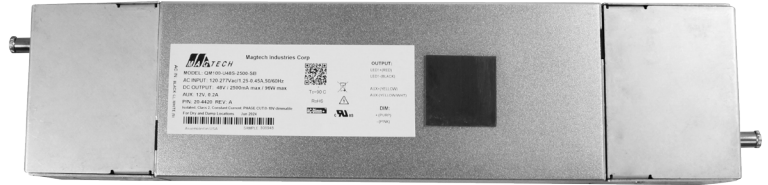
Project Name:	
Type:	

QM100 Series

100 Watts Max, 110-277VAC
High Power Constant Current or Constant Voltage LED Driver

PRODUCT FEATURE

- Compact aluminum design with detachable junction boxes
- Low flickering – Less than 10% up to 120Hz
- No-load power consumption less than 0.5W
- Turn on time – Less than 750ms
- 4 In 1 dimming – TRIAC/ELV/0-10V/PWM (see models)
- Available with dim-to-warm (see models)
- Dimming percentage to 1-2% - All dimming methods
- Optional dimming curve – linear or logarithmic
- CC or CV output 4 in 1 dimming
- 12V/ 24mA or 24V/ 100mA auxiliary output
- Output programming using NFC
- ZigBee or Casambi Compatible – Optional
- Transient Protection
- UL8750 Class 2 Class P and CE compliant
- Compatible with Lutron Athena



SPECIFICATIONS

Input Range	: 120 - 277VAC / 1.25 - 0.45A / 47 - 63Hz
DC output Range	: Refer to model selection table
Efficiency	: 85% Typical
Power Factor	: > 0.98 at full load, 115VAC or 230VAC
Output Current Regulation	: ±5%
Protection	: OCP, SCP, OVP - Auto recovery
Surge Rating	: 1.5 KVA
Dimming	: Compatible with TRIAC / ELV / 0-10V / PWM
PWM dimming Signal	: 500Hz - 10Khz; Min. 10V amplitude
Operation Temp.	: -30°C - +50°C, Tc : 90°C
Storage Temp.	: -40°C - +85°C
Humidity (Non-Condensing)	: 5% to 95%
Vibration Frequency	: 5 to 50Hz
MTBF	: >100,000 Hours, Full load, 25°C Amb., MIL-217F
Regulation Compliance	: UL8750 Supplement SF, Class P EN61347, EN55015, EN61547
Cooling	: Convection
Dimension	: 9.50" x 2.55" x 1.60" (L x W x H)



E326521

WARRANTY

- See [Limited Warranty Policy](#) for more additional information

RELATED PRODUCTS

- ↪ [QM32 Series](#)
- ↪ [QM40 Series](#)
- ↪ [QM50 Series](#)
- ↪ [QM70 Series](#)

MODEL SELECTION

MODEL NUMBER	LED CH#	MAX OUTPUT VOLTAGE (v)	MAX OUTPUT CURRENT (mA)	MAX OUTPUT POWER (W)	TOTAL POWER (1+2+AUX.)
QM100-U48z-yyyy-ww	#1	48	2500	96	96
	#2 ++	48	2500	96	
QM100-U24z-yyyy-ww	#1	24	4100	96	96
	#2 ++	24	4100	96	

NOTE :

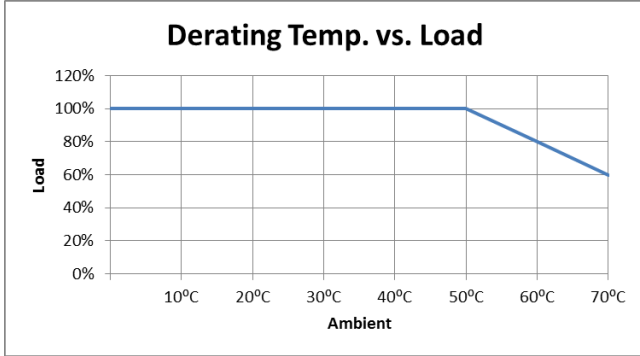
1. "yyyy" = Output current (for constant current) and "Blank" (for Constant Voltage)
2. "z" = "S" single output; "D" dual outputs
3. Aux. output 12 or 24VDC @ 2.4W
4. "ww" = "BM"; "MB"; "SB"; "LP", please refer to mechanical drawing. Page 3
5. "++" = Optional

Project Name:	
Type:	

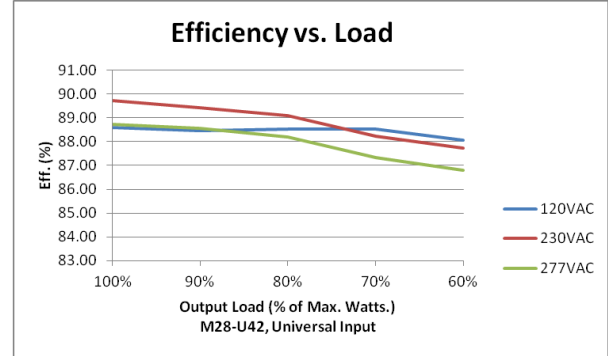
QM100 Series

100 Watts Max, 110-277VAC
High Power Constant Current or Constant Voltage LED Driver

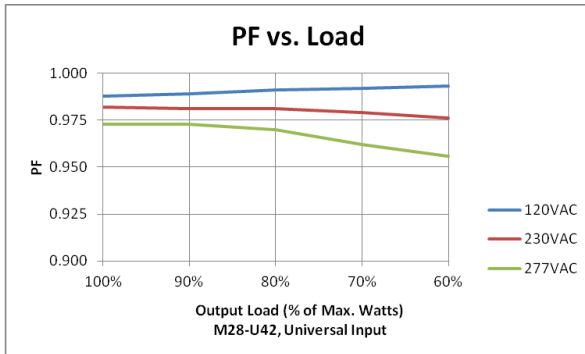
DE-RATING TEMP VS LOAD



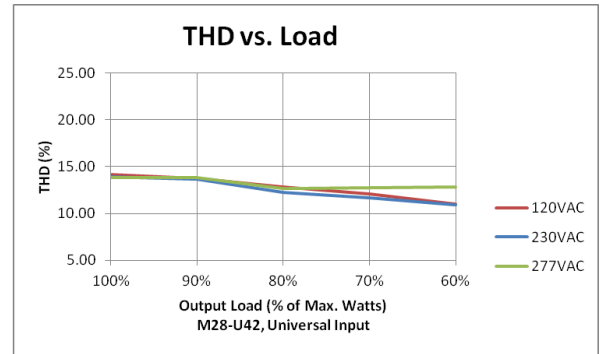
EFFICIENCY VS LOAD 52V MODEL



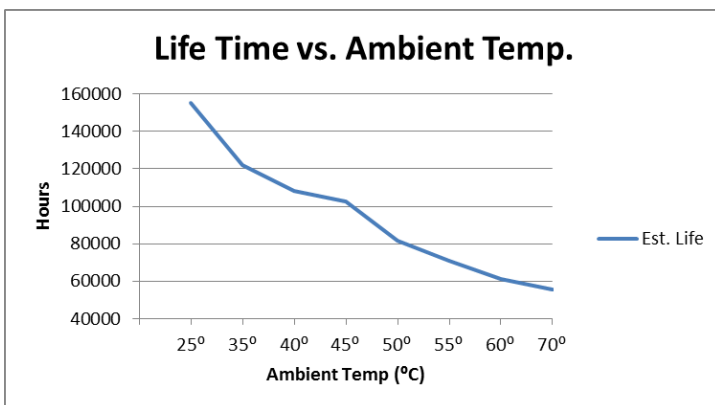
POWER FACTOR VS LOAD



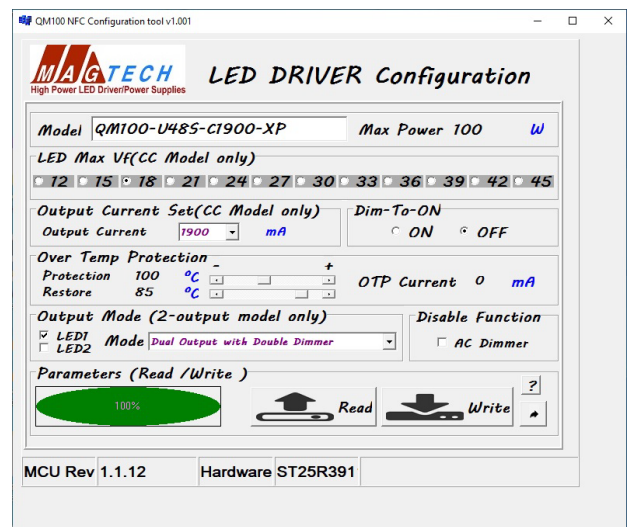
THD VS LOAD



LIFE TIME VS AMBIENT TEMPERATURE



UI INTERFACE



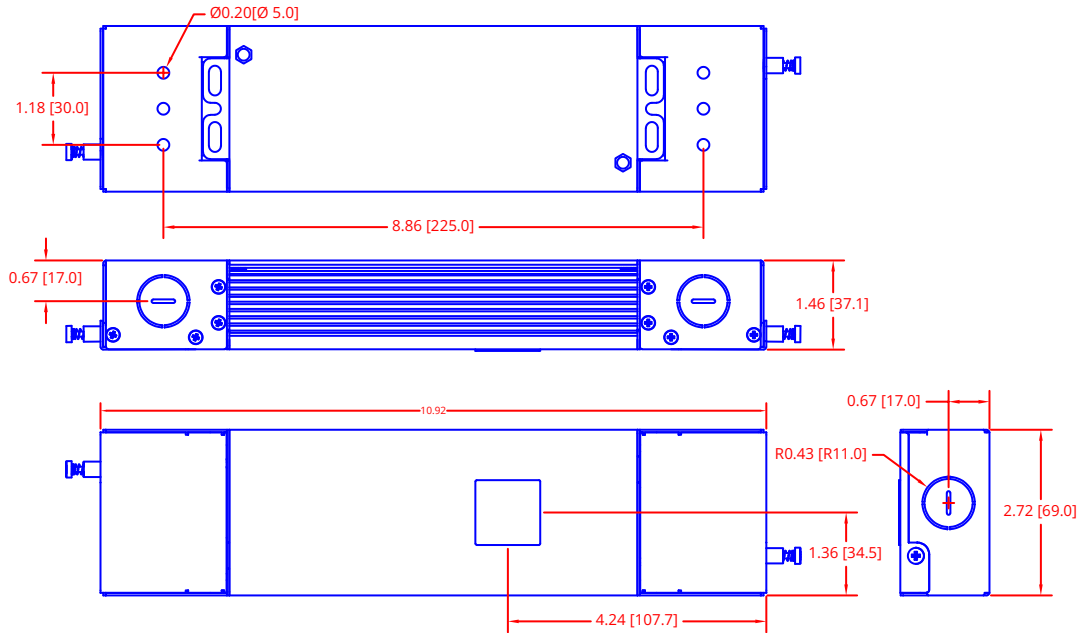
Project Name:	
Type:	

QM100 Series

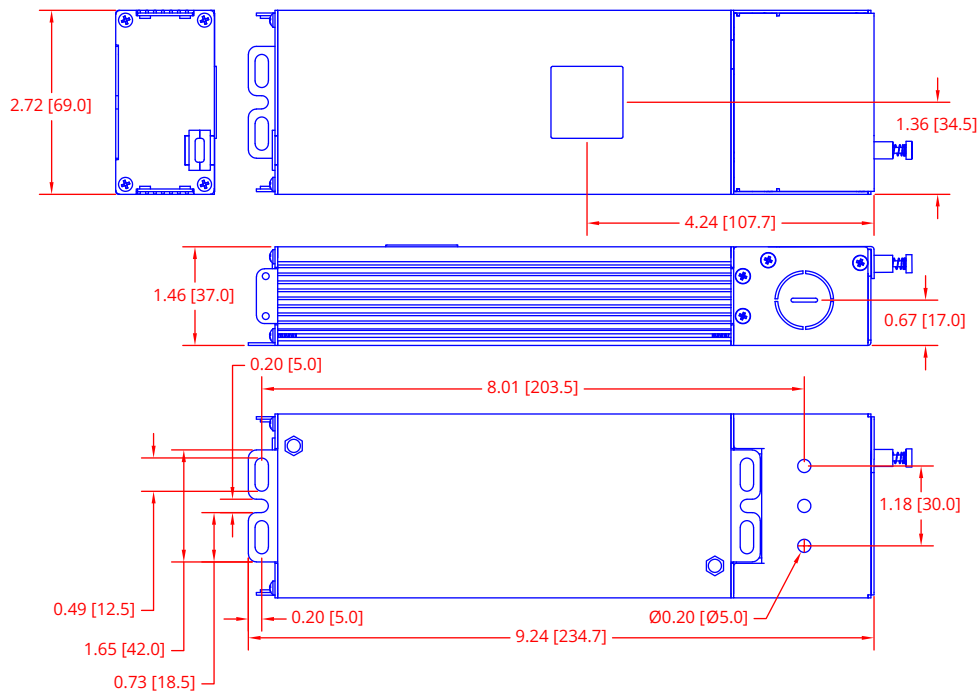
100 Watts Max, 110-277VAC
High Power Constant Current or Constant Voltage LED Driver

MECHANICAL SPECIFICATION (L x W x H)

QM100-U48z-yyyy-LP
QM100-U24z-LP



QM100-U48z-yyyy-BM
QM100-U24z-BM



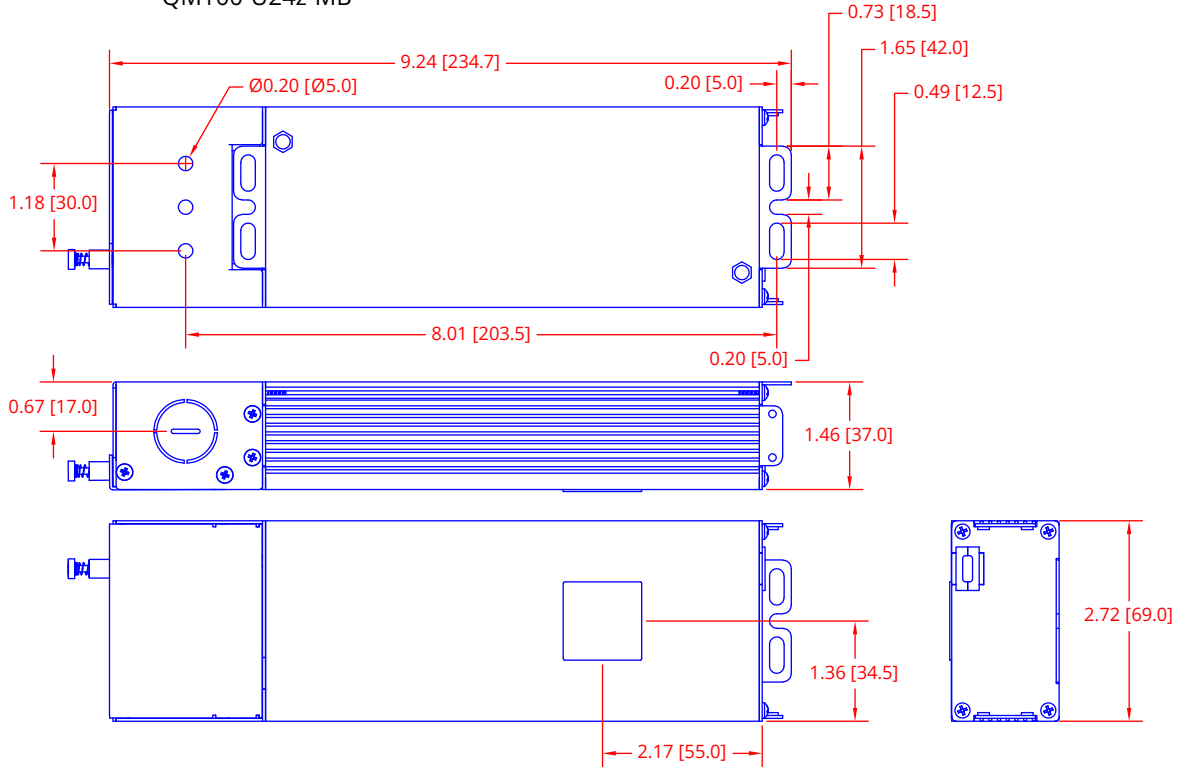
Project Name:	
Type:	

QM100 Series

100 Watts Max, 110-277VAC
High Power Constant Current or Constant Voltage LED Driver

MECHANICAL SPECIFICATION (L x W x H)

QM100-U48z-yyyy-MB
QM100-U24z-MB



QM100-U48z-yyyy-SB
QM100-U24z-SB

