

Project Name:	
Type:	

# MRSEL(RMSEL)-800

LED Emergency Light  
Wireless Reporting Compatible

## PRODUCT FEATURE

### HOUSING

- Recessed housing with hanger bar
- Aluminum housing with high grade acrylic panel
- Replaceable acrylic exit panel
- Removable directional indicator
- Single and double face universal design
- Removable front cover for easy installation and maintenance
- 8" height red exit sign
- Single and double face optional
- Suitable for damp location



**MRSEL**  
Big steel box with hanger bar



**RMSEL**  
J-box with hanger bar

### ELECTRICAL

- 120/277VAC dual voltage operation
- Test switch and charge rate indicator
- Self-test and Self-diagnostics function is available for battery backup model
- Fully automatic, solid state charger
- Brown out circuit with overload and short circuit protection

### LISTING

- Suitable for use in 10°C - 40°C ambient temperature, suitable for damp location
- UL listed meets or exceeds all requirements in NFPA 70, NFPA 101 life safe code

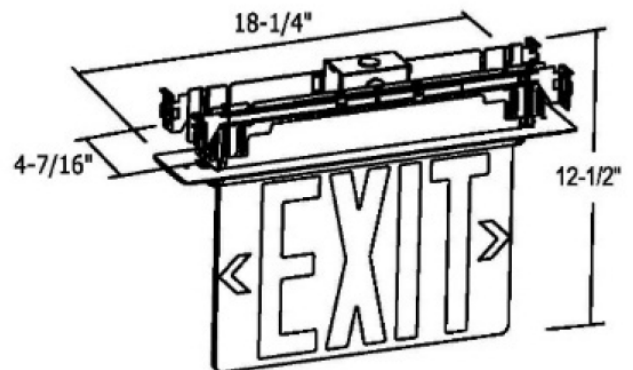
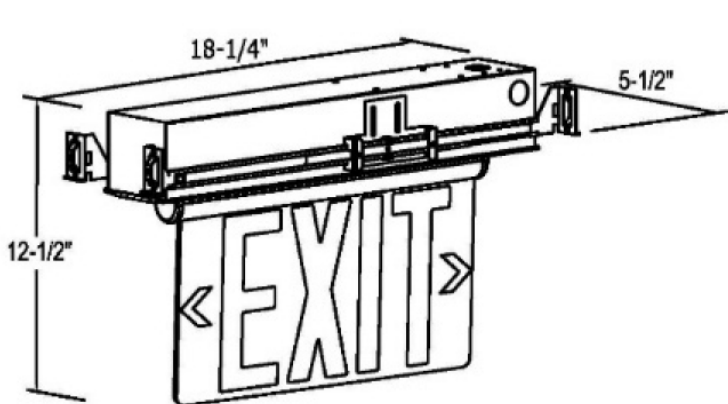
### MOUNTING

- Recessed mounting

## ORDER INFORMATION: EXAMPLE: MRSEL(RMSEL)-810-D-R-ZD-AL-U

MODEL	SERIES	NUMBER OF FACCE	LETTER	BACKGROUND	FUNCTION	HOUSING COLOR	PANEL
MRSEL	800 Battery backup	S Single face	R Red	C Clear	BLANK Standard circuit	AL Aluminum	BLANK Standard type
RMSEL	810 AC only	D Double face		M Mirror	CT Self-Diagnostic	WH White	U Including single and double face panel for universal

## PRODUCT DIMENSION



Project Name:	
Type:	

# MRSEL(RMSEL)-800

LED Emergency Light  
Wireless Reporting Compatible

## PACKAGING

