

Project Name:	
Type:	

MSEL-800

Exit Sign
New York Certified Solutions

PRODUCT FEATURE :

HOUSING

- Compact and decorative design
- Aluminum housing with high grade acrylic panel
- Replaceable acrylic EXIT panel
- Removable directional indicators
- Single and double face universal design
- Removable front cover for easy installation and maintenance
- 8" height red exit sign
- Single and double face optional
- Suitable for damp location



ELECTRICAL

- 120/277VAC Dual voltage operation
- Test switch and charge rate indicator
- Self-test and Self-diagnostics function is available for battery backup model
- Fully automatic, solid-state charger
- Brown out circuit with overload and short-circuit protection

LISTING

- Suitable for use in 10°C - 40°C ambient temperature, suitable for damp location
- UL listed meets or exceed all requirement in NFPA 70, NFPA 101 life safe code

MOUNTING

- Universal mounting including wall mount, end mounting, ceiling mounting

ORDER INFORMATION: *EXAMPLE: MSEL-800-D-R-M-BLANK-WH-BLANK*

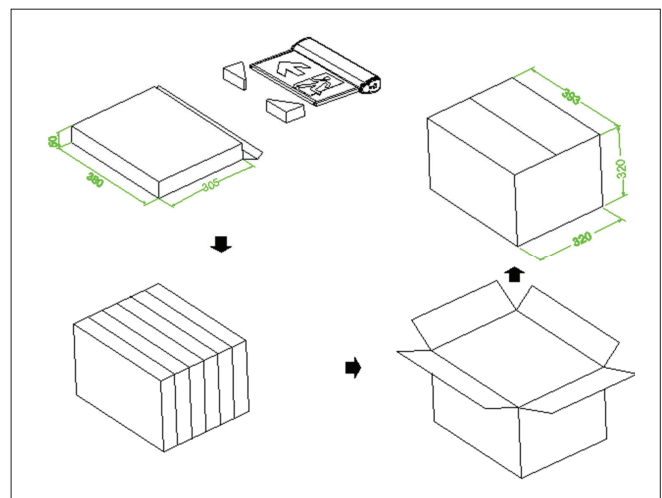
MSEL	-	-	-	-	-	-	-
Model	Series	Number of face	Lettering	Background	Function	Housing color	Panel
MSEL	800 Battery backup	S Single face	R Red	C Clear	BLANK Standard circuit	AL Aluminum	BLANK Standard type
	810 AC only	D Double face		M Mirror	CT Self-Diagnostics	WH White	U Including single and double face panel For universal

MODEL LIST AND ELECTRICAL RATING :

MODEL	NUMBER OF FACE	LETTERING COLOR	TEST FACILITY	BATTERY	RECHARGE TIME	EMERGENCY DURATION	OUTPUT		
							VOLTAGE	Hz	POWER
MSEL-810SR(C/W/M)-x*	Single face	Red	N/A	N/A	N/A	90min	120/277	60	2W
MSEL-810dr(m/w)	Double face	Red	N/A	N/A	N/A	90min	120/277	60	2W
MSEL-800SR(C/W/M)-x	Single face	Red	Manual test	Ni-Cad 4.8V/300mA	24H	90min	120/277	60	3W
MSEL-800dr(M)	Double face	Red	Manual test	Ni-Cad 4.8V/300mA	24H	90min	120/277	60	3W
MSEL-800SR(C/W/M)-CT-x	Single face	Red	Self-test/ Self-diagnostics	Ni-Cad 3.6V/300mA	24H	90min	120/277	60	4W
MSEL-800DR(M)-CT	Double face	Red	Self-test/ Self-diagnostics	Ni-Cad 3.6V/300mA	24H	90min	120/277	60	4W

PACKAGING

- QTY : 6 PCS
 N.W : 10.2 KGS
 G.W : 11.2 KGS
 MEA'S : 1. CUFT



Note:
x*: descript for panel option
Blank: Single face
U: Including single & double face suitable for universal