

ATOM

In-wall Switch Battery Operated

US and Euro Standard Battery Version Available



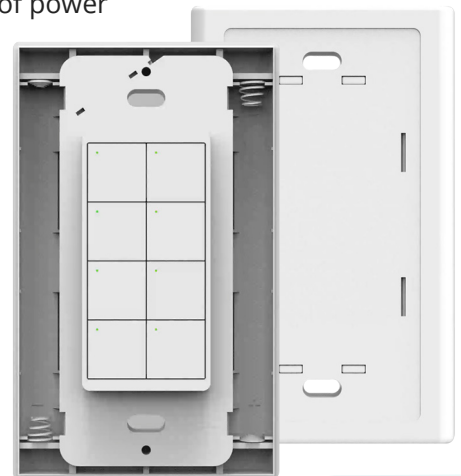
The ATOM Wireless Wall-mount Switch is designed to replace traditional in-wall switch with battery operated transmitter, no wire connection. It is capable of providing multi-functions and allow battery control lighting devices in various platforms.

KEY FEATURES:

- Easy Installation, allows you to add a wall switch anywhere you want without running wires & paying for an electrician.
- Best low power load support, no bypass part or low power light adapter required
- Default local circuit operate and do not require system control
- BT 5.0 compatible Casambi BT 5.0 Mesh
- Power failure memory to return to its previous set level prior to the interruption of power
- Compatible to designer style wall-plates or standard off-the-shelf wall plates
- Fit in 1-gang U.S. wall-box ; 2 1/2" minimum depth recommended

SPECIFICATIONS

| | |
|----------------------------|---|
| COMPATIBILITY | : Casambi ; BT 5.0 |
| INPUT | : 110 ~ 277VAC/47-63Hz |
| RELAY SWITCHING CAPABILITY | : 5A/120VAC; 3A/277VAC - Optional |
| OPERATING ENVIRONMENT | : 0 - 50 Deg. C |
| RADIO PROPERTIES | : BT 5.0 2.4GHz |
| INTERNAL ANTENNA | : Built-in |
| CONTROLS | : 4 to 8 buttons for on/off; dim; scene selection |
| DIMENSIONS | : 44.40 x 33.20 x 105mm (L x W x H) |
| WARRANTY | : 5 Year |



ATOM In-wall Switch

Non-neutral and Standard | Casambi Compatible

ORDER INFORMATION- WS-QRZZ-SY-XT

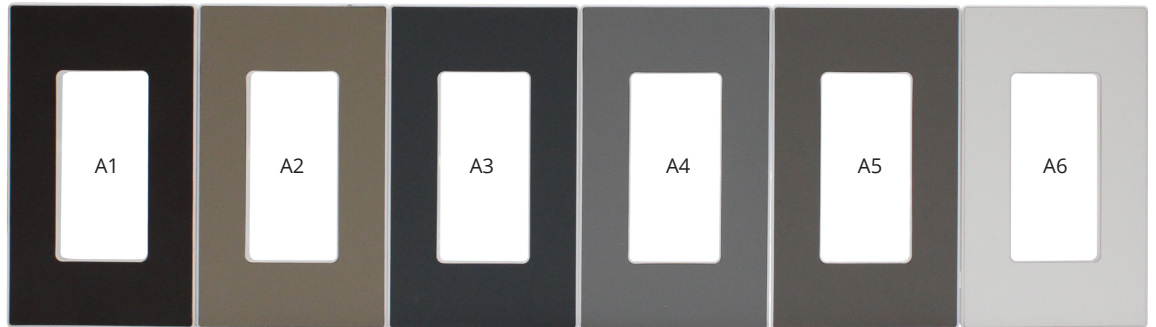
SAMPLE ORDER: WS-NC04-N2-0A4

| WS- | Q | | R | | ZZ | | S | | Y- | | X- | | T | |
|-----|---------------------|----------------------------------|----------|------------------------------|------------------------------|-----------|--------------|------------------------------------|---------------------------------|-----------|---------------|------------------------------|------------------------------------|----------------|
| | RELAY FOR AC ON/OFF | | LOCATION | | NUMBER OF BUTTONS | | NEUTRAL WIRE | | WIRELESS COMMUNICATION PROTOCOL | | 0-10V DIMMING | | FACE PLATE COLOR (Optional Note 1) | |
| WS | T | For Yes | A | For USA: 110 – 277VAC input | 04 | 4 Buttons | 0 | Yes (With) for Zigbee or Bluetooth | 1 | Zigbee | 0 | No (Only option for Battery) | A1 | Dark Chocolate |
| | | | E | For Europe: 230VAC input | | | | | | | | | A2 | Warm Caramel |
| | N | For No (Only option for Battery) | C | For USA: Battery operated | 06 | 6 Buttons | N | No (Without), for Zigbee only | 2 | Bluetooth | 1 | Yes | A3 | Moon Rock |
| | | | D | For Europe: Battery operated | | | | | | | | | A4 | Silver Gray |
| | | | 08 | 8 Buttons | No (Only option for battery) | A5 | | Pebble Gray | | | | | | |
| | | | | | | A6 | | Off-White | | | | | | |
| W | No face plate | | | | | | | | | | | | | |

Note 1: AC version, face plate is not included; Battery version, face plate is included A4 Silver Gray.

AVAILABLE PLATE COLOR

- A1 Dark Chocolate
- A2 Warm Caramel
- A3 Moon Rock
- A4 Silver Gray
- A5 Pebble Gray
- A6 Off-White



STANDARD PLACEMENT FOR TEXT AND ICON



| | |
|---------------|---------------|
| Project Name: | Model Number: |
| Type: | |

ATOM In-wall Switch

Non-neutral and Standard | Casambi Compatible

Standard or Non-neutral



Battery Version



MARKINGS



Silk Screen Print

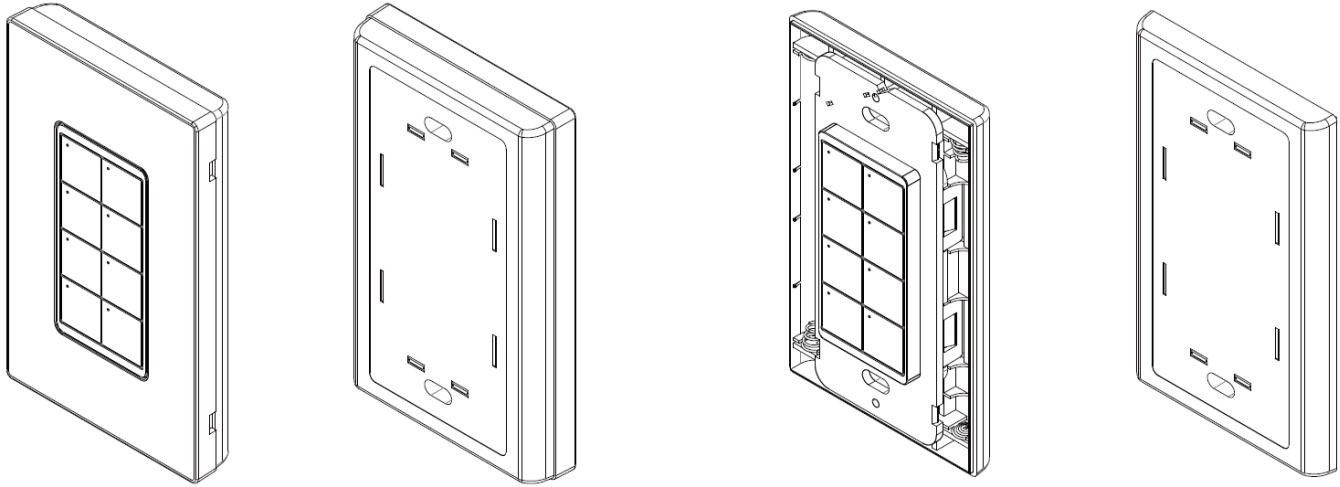


Laser Engraving

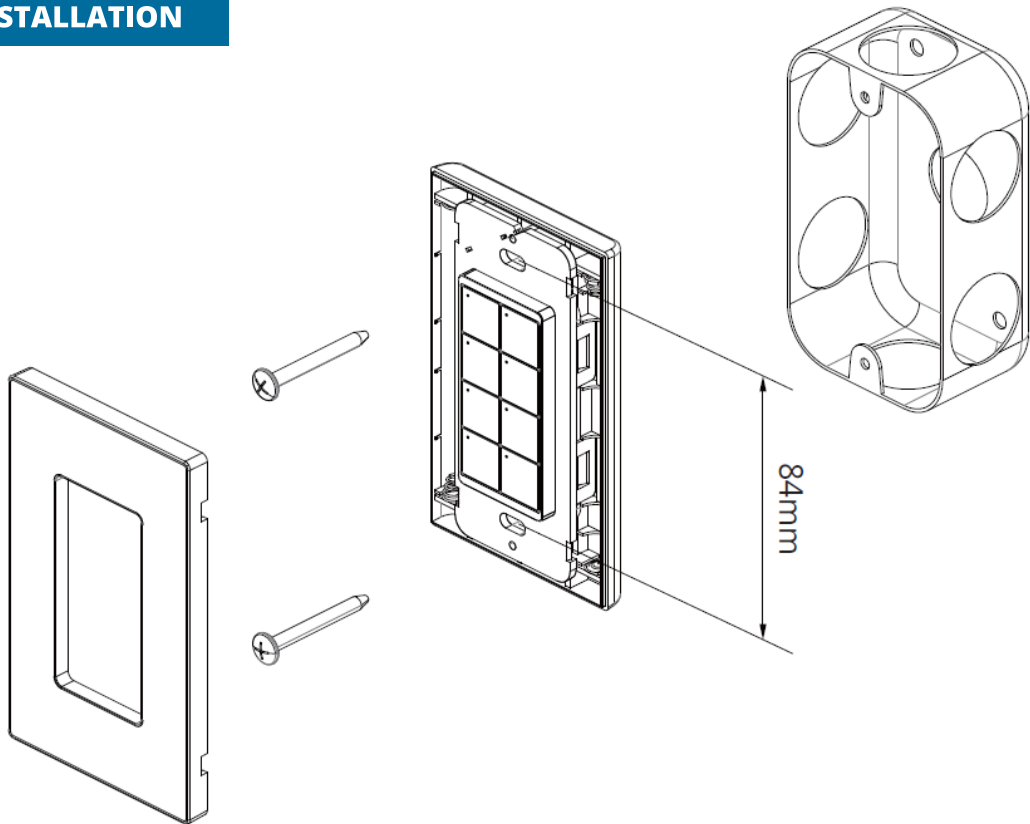
ATOM In-wall Switch

Non-neutral and Standard | Casambi Compatible

US STANDARD BATTERY VERSION



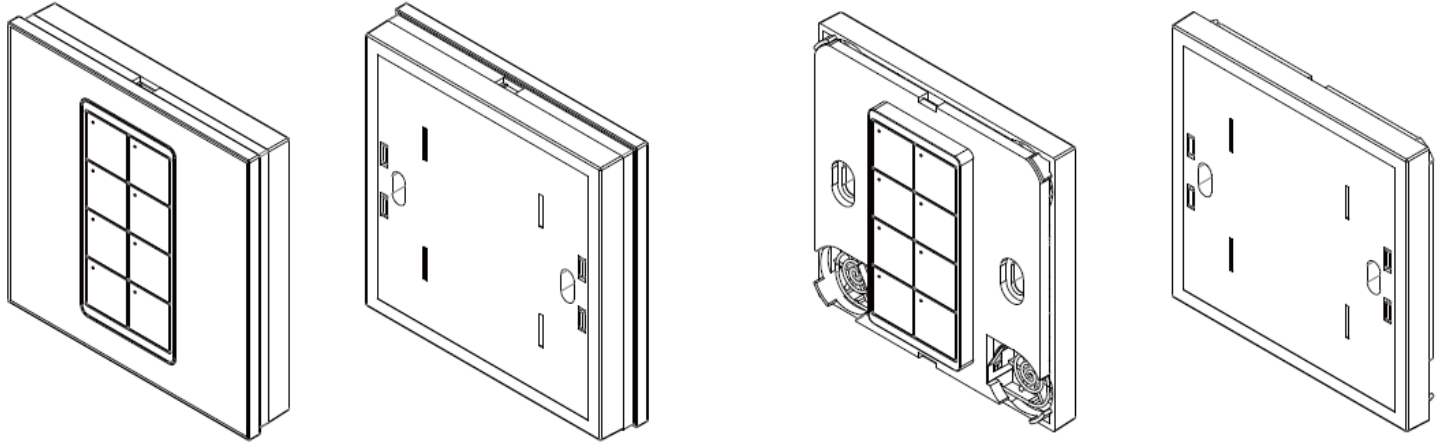
TYPICAL INSTALLATION



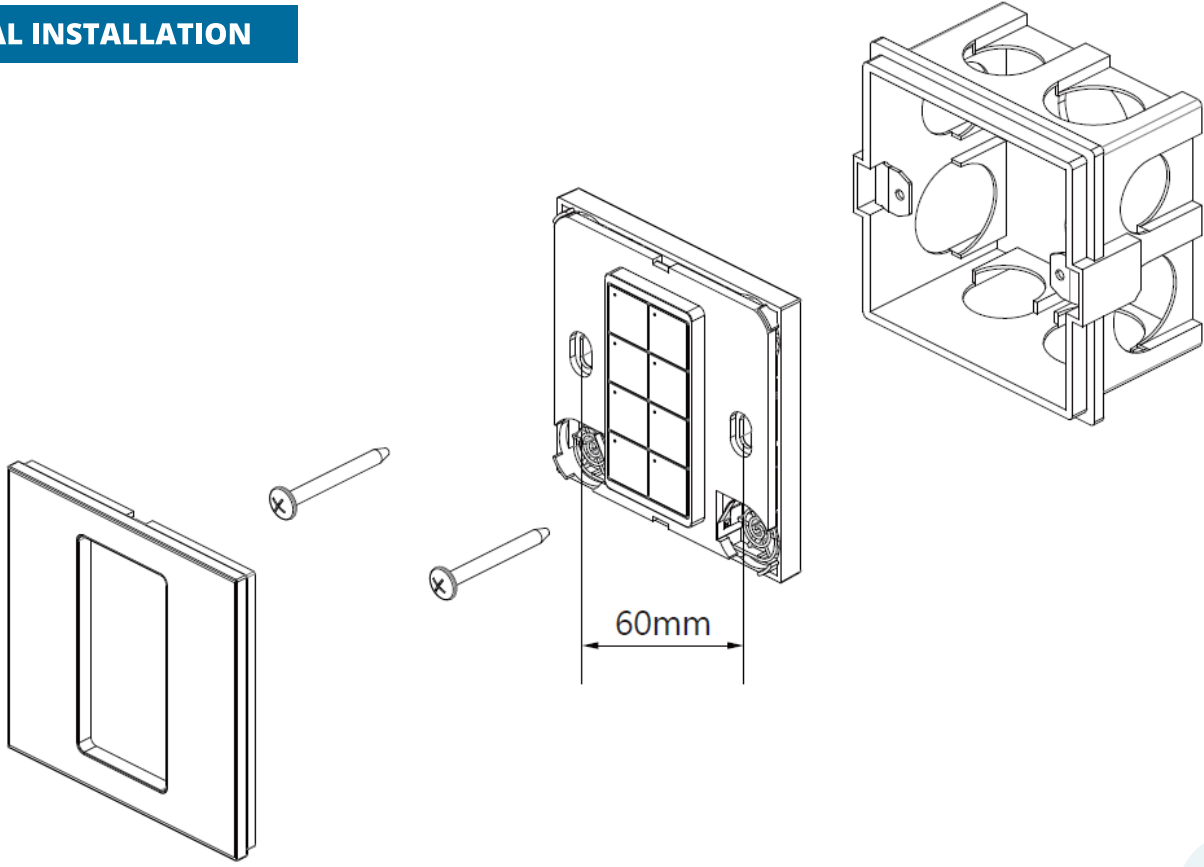
ATOM In-wall Switch

Non-neutral and Standard | Casambi Compatible

EURO STANDARD BATTERY VERSION



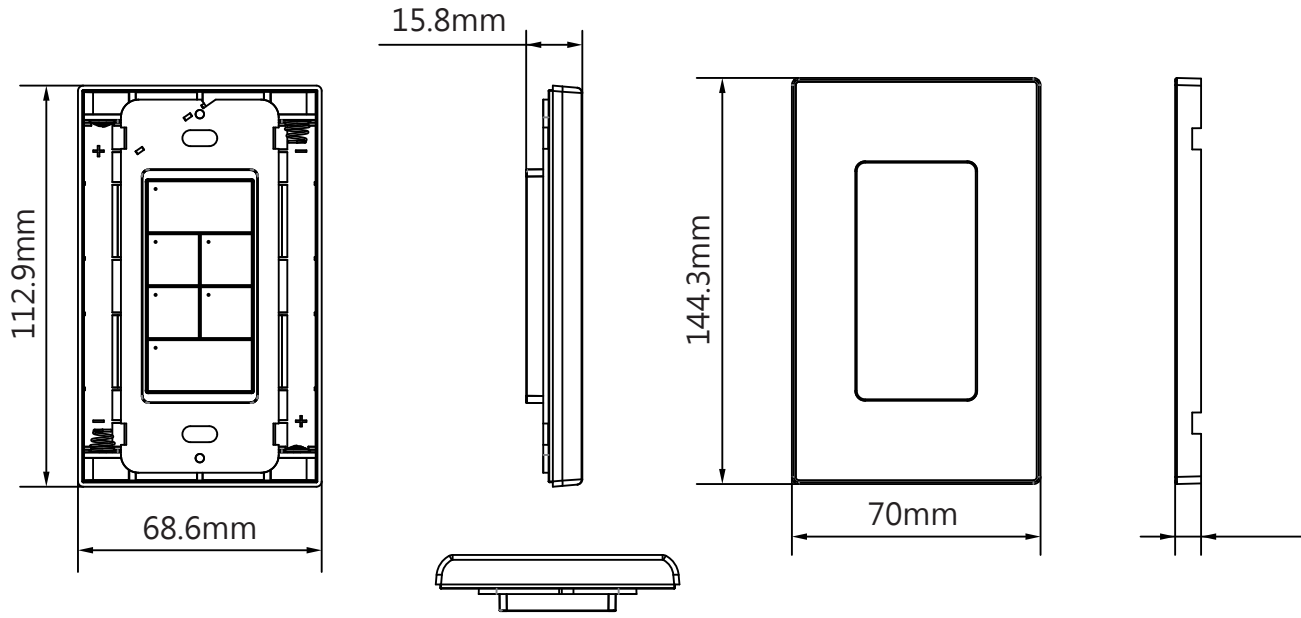
TYPICAL INSTALLATION



ATOM In-wall Switch

Non-neutral and Standard | Casambi Compatible

THREE-DIMENSIONAL DEPTH - US VERSION



THREE-DIMENSIONAL DEPTH - EURO VERSION

