

# ATOM In-wall Switch

Standard and Non-neutral Available



The ATOM Wireless Wall-mount Switch is designed to replace traditional in-wall switch with modern wireless technologies. It is capable of providing multi-functions and allow wirelessly control lighting devices in various platforms. This is a must have components to excel user experiences in the wireless environment.



## KEY FEATURES:

- Best low power load support, no bypass part or low power light adapter required
- Default local circuit operate and do not require system control
- 20dBm 2.4G for long range communication
- Power failure memory to return to its previous set level prior to the interruption of power
- Compatible to designer style wallplates or standard off-the-shelf wall plates
- Fit in 1-gang U.S. wallbox ; 2 1/2" minimum depth recommended
- Non-neutral design make installation easier (ZigBee only)
- Available color - white

## SPECIFICATIONS

COMPATIBILITY	: ZigBee Pro ; BT 5.0
INPUT	: 110 ~ 277VAC/47-63Hz
RELAY SWITCHING CAPABILITY	: 5A/120VAC; 3A/277VAC
OPERATING ENVIRONMENT	: 0 - 50 Deg.C
RADIO PROPERTIES	: 2.4GHz; 20dBm transfer power
INTERNAL ANTENNA	: Built-in
CONTROLS	: 2 to 8 buttons for on/off; dim; scene selection
DIMENSIONS	: 44.40 x 33.20 x 105mm (L x W x H)
WARRANTY	: 5 Year

# ATOM In-wall Switch

Non-neutral (ZigBee only) and Standard

## ORDER INFORMATION- WS-QRZZ-SY-XT

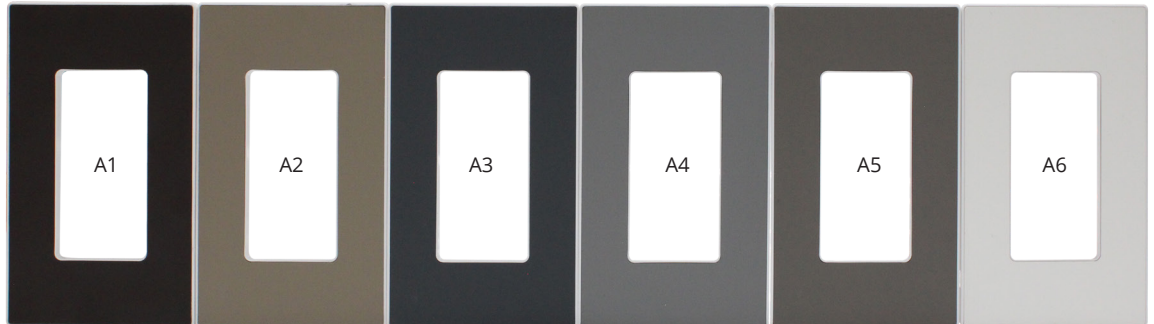
SAMPLE ORDER: WS-TA06-02-0W

WS-	Q		R		ZZ		S		Y-		X-		T	
	RELAY FOR AC ON/OFF		LOCATION		NUMBER OF BUTTONS		NEUTRAL WIRE		WIRELESS COMMUNICATION PROTOCOL		0-10V DIMMING		FACE PLATE COLOR (Optional Note 1)	
WS	T	For Yes	A	For USA: 110 – 277VAC input	04	4 Buttons	0	Yes (With) for Zigbee or Bluetooth	1	Zigbee	0	No (Only option for Battery)	A1	Dark Chocolate
			E	For Europe: 230VAC input									A2	Warm Caramel
	N	For No (Only option for Battery)	C	For USA: Battery operated	06	6 Buttons	N	No (Without), for Zigbee only	2	Bluetooth	1	Yes	A3	Moon Rock
			D	For Europe: Battery operated									A4	Silver Gray
					08	8 Buttons		A5					Pebble Gray	
								A6					Off-White	
												W	No face plate	

Note 1: AC version, face plate is not included; Battery version, face plate is included A4 Silver Gray.

## AVAILABLE PLATE COLOR

- A1 Dark Chocolate
- A2 Warm Caramel
- A3 Moon Rock
- A4 Silver Gray
- A5 Pebble Gray
- A6 Off-White



## STANDARD PLACEMENT FOR TEXT AND ICON



Project Name:	Model Number:
Type:	

# ATOM In-wall Switch

Non-neutral and Standard | Casambi Compatible

## Standard or Non-neutral



## Battery Version



## MARKINGS



Silk Screen Print



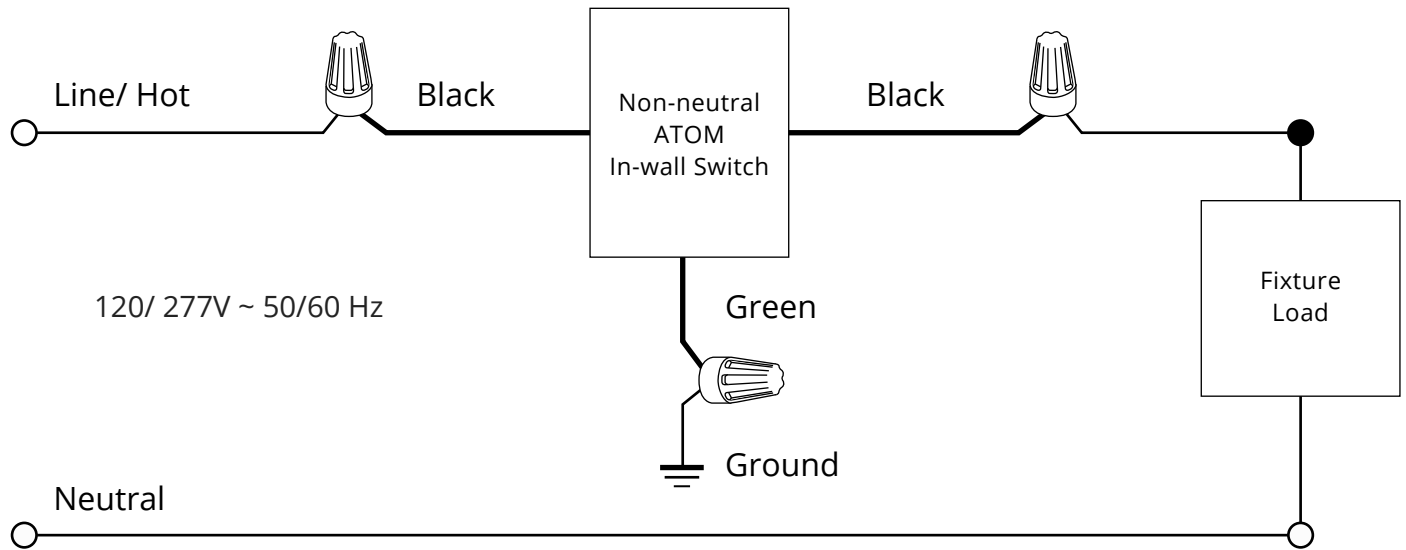
Laser Engraving

# ATOM In-wall Switch

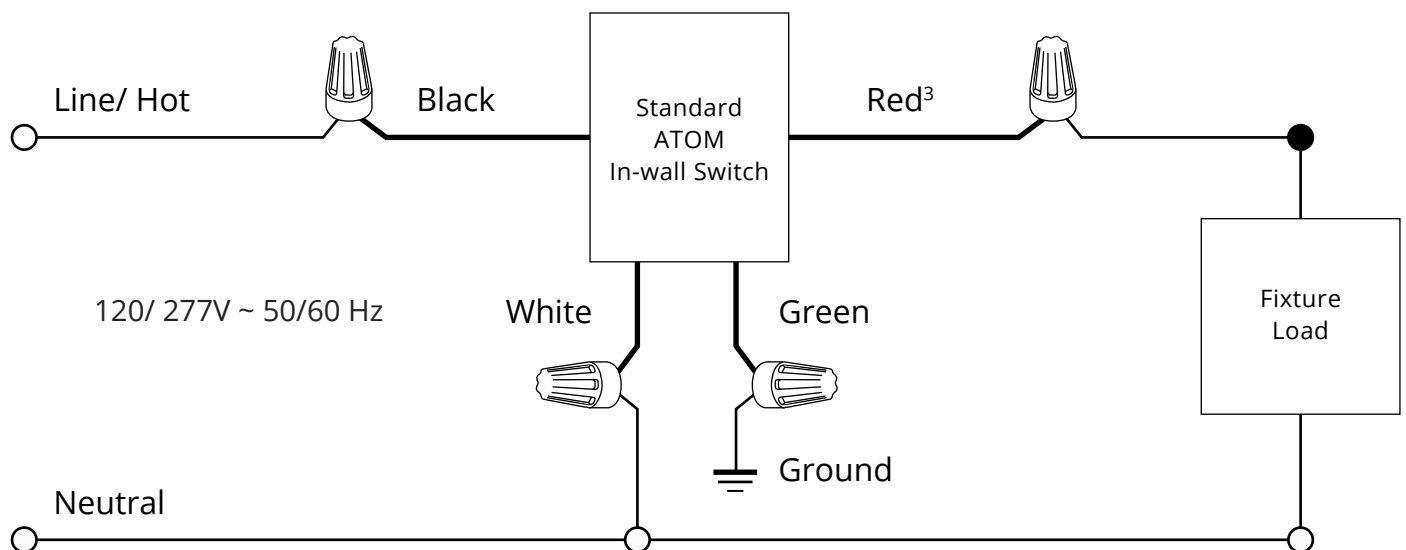
Non-neutral (ZigBee only) and Standard

## WIRING DIAGRAMS

### NON-NEUTRAL



### STANDARD

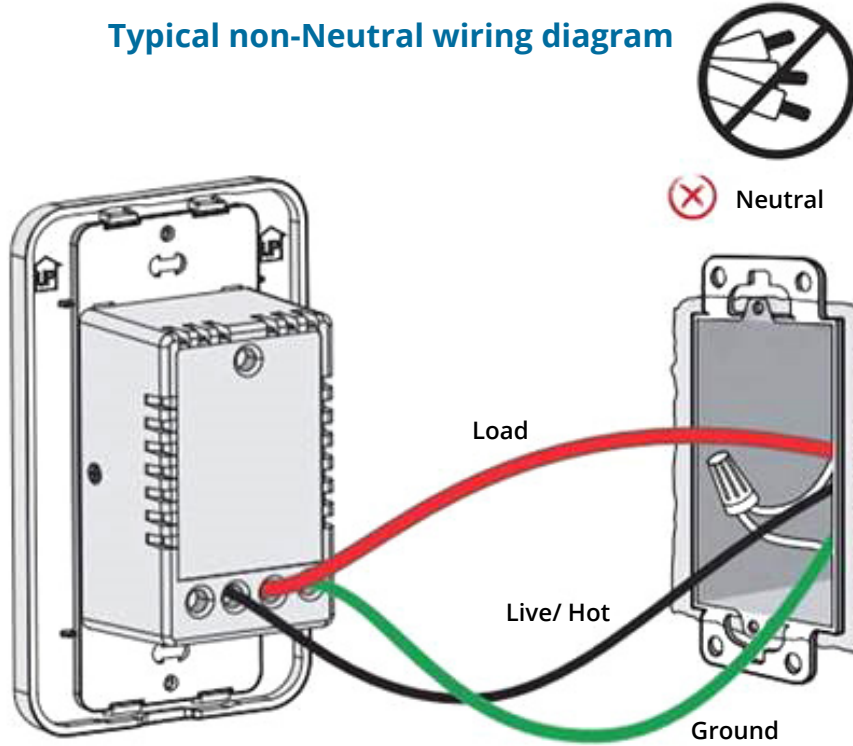


# ATOM In-wall Switch

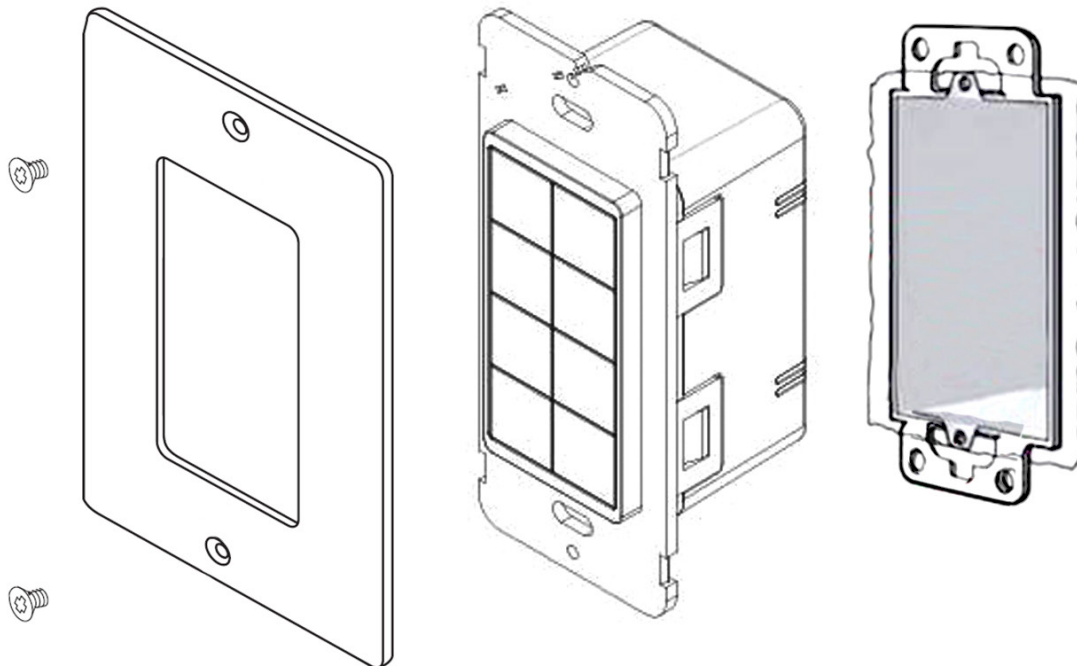
Non-neutral (ZigBee only) and Standard

## WIRING DIAGRAMS

Typical non-Neutral wiring diagram



Typical installation

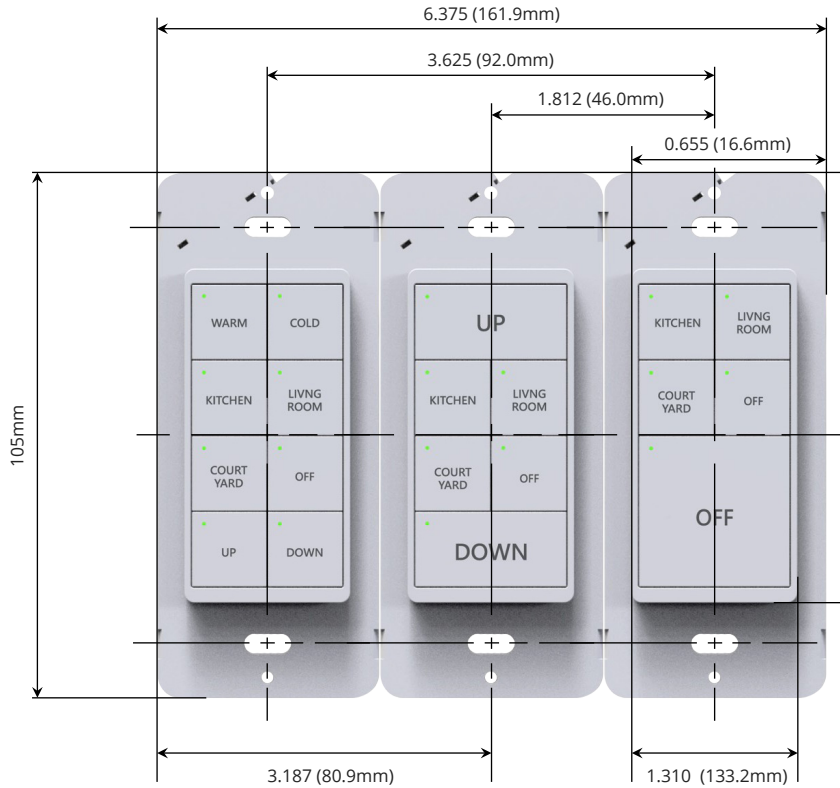




# ATOM In-wall Switch

Non-neutral (ZigBee only) and Standard

## OUTLET, SWITCHES AND PLATE DIMENSIONS



## THREE-DIMENSIONAL DEPTH

