

Project Name:	
Type:	

WPL02 Series

LED Outdoor Light | EU Certified Solution

PRODUCT FEATURE:

- 220-240VAC, 50/60Hz for ACEM model
- 120-240VAC, 50/60Hz for AC model
- 15W for AC model, 18W for ACEM model
- 24 hours charge, 1/3 hours discharge, for Europe market
- 16 hours charge, 2 hours discharge, for Australia and New Zealand market
- AUTO test with Wireless Reporting LynxEM Controlt



BENEFITS:

- Die casting housing, color optional
- Wall mounting
- 1600lm from AC mode, 600lm from emergency mode
- Ni-MH battery

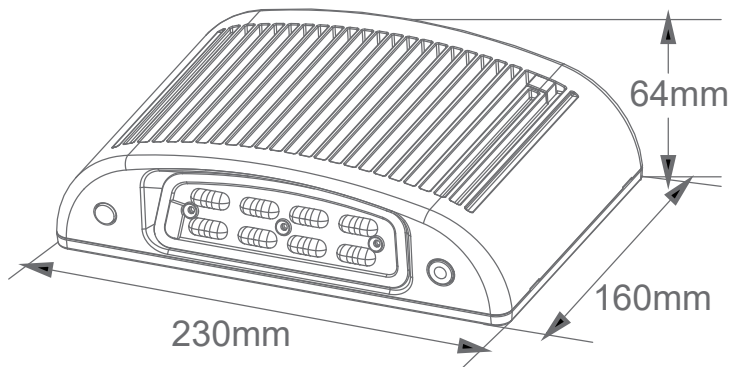


ORDERING INFORMATION:

Model	CCT		Operation		Duration		Test Function		Sensor		Housing	
WPL02	C:	5000K	ACEM:	General lighting and Emergency	1H:	1 hour	AT:	Auto test	Blank:	Photo-sensor	AL:	Silver
	N:	4000K			2H:	2 hours			PIR:	Photo-sensor and PIR sensor	BK:	Black
	W:	3000K	AC:	General lighting	3H:	3 hours	MT:	Manual test			DB:	Dark Bronzer

CL meaning luminaire suitable for cold weather, Ta-25°C, battery enclosed by heater pad.

PRODUCT DIMENSION:



AUTO TEST FUNCTION:

