

Project Name:	
Type:	

ESA11 Series

Emergency Exit Sign | EU Certified Solution

PRODUCT FEATURE:

- 220-240VAC, 50/60Hz
- 24 hours charge
- LiFePO4 battery
- Maintained and non-maintained for 1 hour/ 3 hours



BENEFITS:

- Flexibility in design and applications
- Wall and ceiling mounting
- Suspension mount available with max.1 meter suspension wires
- Quick connection and easy installation
- AUTO test with Wireless Reporting LynxEM Control

PICTOGRAM INSERT:



*Default Colour: Pantone 336C or RAL6032

(Style and Colour can be designed as request)

ORDERING INFORMATION:

Model	Duration		Test Function		Battery		Option		Face Plate
ESA11	1H:	1 hour	AT:	Auto test	LPB:	LifePO4 (500 CDX)	500CDX*:	500cd/m2	Universal
	3H:	3 hours	MT:	Manual test			CBS:	Central Battery System	
			DA/ NFC:	Dali enable, NFC feature optional					
ESA11-PRO	1H:	1 hour	ZB:	Zigbee Wireless	LPB:	LifePO4			
	3H:	3 hours	TUYA:	Tuya Wireless					

*500CDX: High luminance output option, 500cd/m2 average on the white of pictogram.

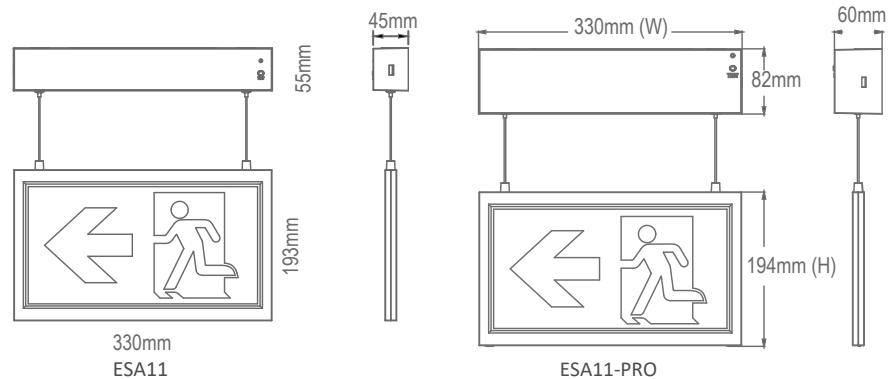
*CBS: Suitable for central battery system, DC176-254V input.

*Wireless: wireless default (Zigbee: SEMM-ZZB controller and SEMM cloud control.

Tuya: application and Tuya cloud control). Wired DALI optional if required.

PRODUCT DIMENSION:

ESA11-40M: 330mm (W) x 243mm (H)



ESA10/11 Kit

Spring, use LED
down light spring

LED & Indicator



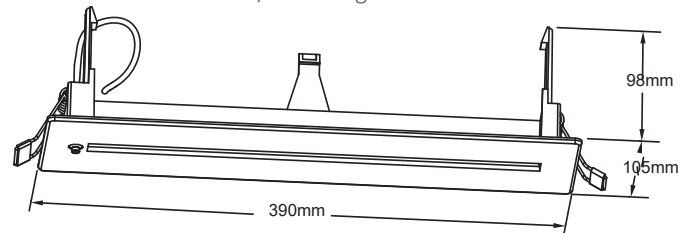
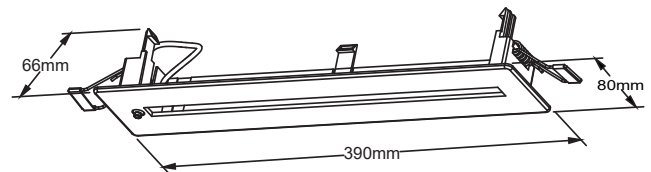
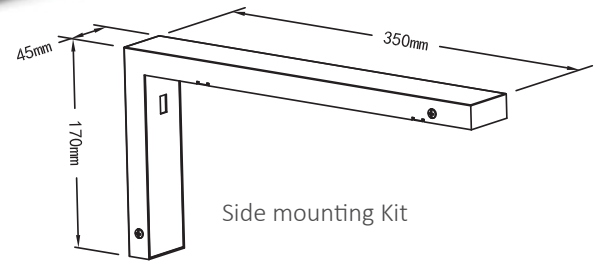
ESA11 Series

Emergency Exit Sign | EU Certified Solution

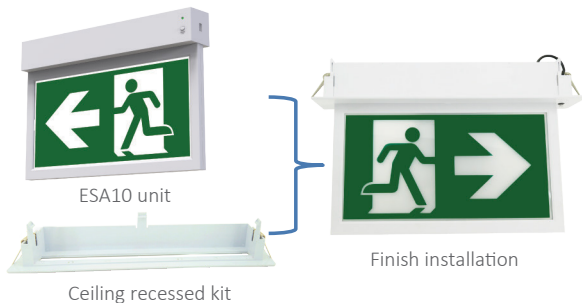
Recessed Kit For ESA10 & ESA11
ESA10 Side Mounting Kit

BENEFITS:

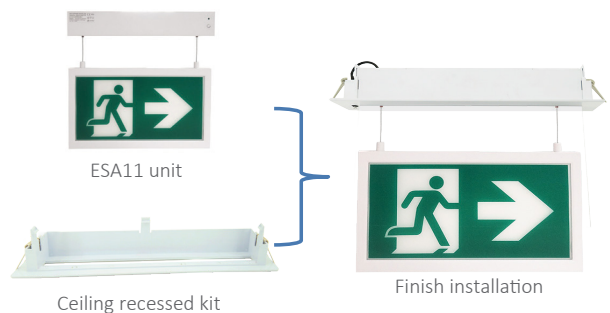
- Compact and decoration design
- Cutting hole 370 x 55mm
- Easy installation
- Material of luminaire compliant with the glow wire test at temperature of 850°C
- RoHS compliant
- Strong side mount kit, material steel with paint



Recessed Kit For ESA10



Recessed Kit For ESA11



Recessed Mounting Kit, Simple & Easy Installation, Separate Package for Recessed Version