

Project Name:	
Type:	

SEL-800

LED Edge-lit Exit Sign
Wireless Reporting Compatible

PRODUCT FEATURE :

HOUSING

- Compact and decorative design
- Aluminum housing with high grade acrylic panel
- Replaceable acrylic EXIT panel
- Removable directional indicators
- Single and double face universal design
- Removable front cover for easy installation and maintenance
- 6" height red and green letter optional
- Single and double face optional
- Suitable for damp location
- LynxEM® Wireless Testing and Reporting System



ELECTRICAL

- 120/277VAC dual voltage operation
- Test switch and charge rate indicator
- Self-test and Self-diagnostics function is available for battery backup model
- AC only model optional
- Dual AC input model optional

LISTING

- Suitable for use in 10°C - 40°C ambient temperature, suitable for damp location
- UL listed meets or exceed all requirement in NFPA 70, NFPA 101 life safe code
- Compliant CEC title 20 efficiency regulations

RELATED PRODUCTS

- ◊ [RCER880 Edge-lit Combo](#)
- ◊ [SCEL8000 Emergency light](#)
- ◊ [C4 Series](#)
- ◊ [S1 Series - Exit Sign](#)

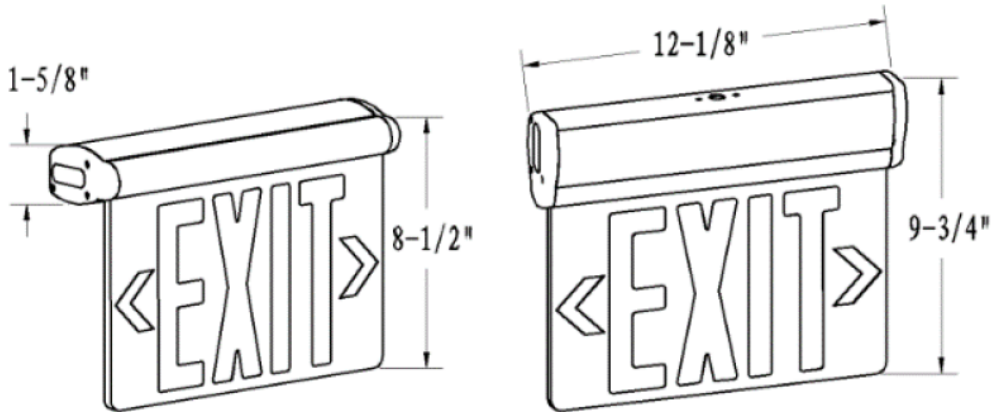
MOUNTING

- Wall mounting, Ceiling mounting and Side mounting

WARRANTY

- See [Limited Warranty Policy](#) for more additional information

PRODUCT DIMENSION :



ORDER INFORMATION: EXAMPLE: SEL800-810-D-W-ZD-AL-3-BLACK

MODEL	SERIES		FACE		LETTER COLOR		BACKGROUND		TEST FACILITY		HOUSING COLOR		VOLTAGE		PANEL	
SEL800	800	Battery Backup	D	Double Face	R	Red	C	Clear	Blank	Standard Circuit	AL	Aluminum	1	120/277V	Blank	Standard type
	810	AC only	S	Single Face	G	Green	M	Mirror	CT	Self-diagnostics	WH	White	3	220V	U	Including single and double face panel for universal
	810T	Dual AC input					W	White	ZD	Wireless Reporting LynxEM® Control						

Project Name:	
Type:	

SEL-800

LED Edge-lit Exit Sign
Wireless Reporting Compatible

PRODUCT FEATURE :

NO.	MODEL NO	INPUT VOLTAGE	FACE	LETTER COLOR	TESTING FACILITY	BATTERY	RECHARGE TIME	DISCHARGE TIME	POWER CONSUMPTION
1.	SEL-800SR(C/W/M)-1-x* SEL-800SR(C/W/M)-1-x	120/277V 60Hz	Single	Red/Green	Manual	Ni-cad, AAA 4.8V300mA	24 hours	90min.	3W
2.	SEL-800DR(W/M)-1 SEL-800DG(W/M)-1	120/277V 60Hz	Double	Red/Green	Manual	Ni-cad, AAA 4.8V300mA	24 hours	90min.	3W
3.	SEL-800SR(G)(C/W/M)-CT-1-x SEL-800SR(G)(C/W/M)-CT-ZD-1-x	120/277V 60Hz	Single	Red/Green	Self-test / ZD	Ni-cad, AAA 3.6V300mA	24 hours	90min.	4W
4.	SEL-800DR(W/M)-CT-1 SEL-800DG(W/M)-CT-ZD-1	120/277V 60Hz	Double	Red/Green	Self-test / ZD	Ni-cad, AAA 3.6V300mA	24 hours	90min.	4W
5.	SEL-810SR(C/W/M)-1-x SEL-810SG(C/W/M)-1-x	120/277V 60Hz	Single	Red/Green	/	/	/	/	2.4W
6.	SEL-810DR(W/M)-1 SEL-810DG(W/M)-1	120/277V 60Hz	Double	Red/Green	/	/	/	/	2.4W
7.	SEL-810TSR(C/W/M)-1-x SEL-810TSG(C/W/M)-1-x	120/277V 60Hz	Single	Red/Green	/	/	/	/	1.8W
8.	SEL-810TDR(W/M)-1 SEL-810TDG(W/M)-1	120/277V 60Hz	Double	Red/Green	/	/	/	/	1.8W
9.	SEL-800SG(C/W/M)-3-x SEL-800DG(W/M)-3	220V 50Hz	Single	Green	Manual	Ni-cad, AAA 4.8V300mA	24 hours	90min.	3W

Noted x* for panel option, Blank: Single face, U: including single and double face suitable for universal.

PACKAGING :

Q'TY : 6 PCS
N.W : 7.5 KGS
G.W : 8.8 KGS
MEA'S : 1.37 CUFT

