

Project Name:	
Type:	

CB-810 Series

LED Exit Sign and Emergency Lighting Combo
Wireless Reporting Compatible

PRODUCT FEATURE

HOUSING

- Injection-molded thermoplastic ABS housing.
- Plastic enclosure with 5VA flame retardant.
- Replaceable directional chevron insert are easily remove and reinsert.
- Two fully adjustable glare-free square shape light heads for emergency light.
- Red or green letter with 6" height and 3/4" stroke.
- Single and double face configuration.



ELECTRICAL

- 120/277VAC Dual voltage operation
- Test switch and charge rate indicator
- 3.6V long-life, maintenance-free, rechargeable Ni-Cad battery
- 24 hours recharge after 90 minutes discharge
- Compatible with LynxEM® testing/Reporting system

ILLUMINATION

- SMD 2835 led, cct 6000k, l70 35,000 hours
- 1 watts (6 LEDs) per head for standard model, feature provide 200lm on initial discharge
- 1.5 watts (9 LEDs) per head for high lumen model, fixture provide 300lm on initial discharge

MOUNTING

- Suitable for wall mounting, ceiling mounting and side mounting
- Housing snaps to canopy with simple twist and locking tightly secure housing to canopy

OPTIONS

- **CT** option with self-testing and self-diagnostics
- **ZD** option with wireless testing and reporting function
- **RC** option with 3.6V3W max. remote capability

LISTING

- Suitable for use in 10°C - 40°C ambient temperature, suitable for damp location
- UL listed meets or exceed all requirement in NFPA 70, NFPA 101 life safe code
- Compliant CEC title 20 efficiency regulations

WARRANTY

- See [Limited Warranty Policy](#) for more additional information

RELATED PRODUCTS

- [Exit Sign C1 Series](#)
- [EXL-700 Emergency Lighting Fixture](#)
- [M2R Series - LED Emergency lighting](#)
- [S1 Series - Exit Sign](#)

ORDER INFORMATION: EXAMPLE: CB810-D-R-HO-ZD-B-1

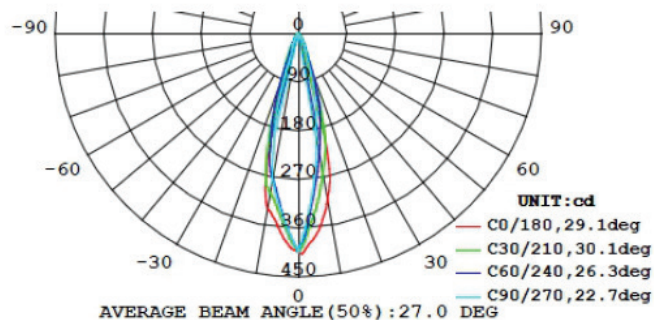
MODEL	FACE	LETTER COLOR	LUMEN OUTPUT & REMOTE CAPABILITY	TEST FACILITY	HOUSING COLOR	VOLTAGE
CB-810	D Universal double / Single Face S Single Face	R Red G Green	Blank Standard lumen output, no remote capability RC Standard lumen output, with remote capability HO High lumen output, w/o remote capability HORC High lumen output, with remote capability	Blank Manual test CT Self-diagnostics ZD Wireless Reporting LynxEM® Control	W White B Black	1 120/v

Project Name:
Type:

CB-810 Series

LED Exit Sign and Emergency Lighting Combo
Wireless Reporting Compatible

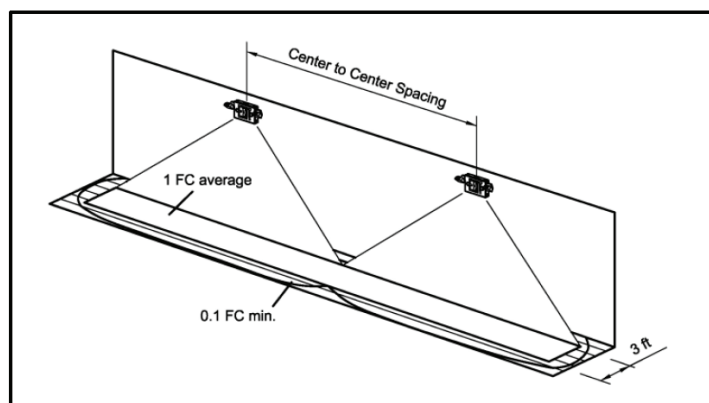
LUMINOUS INTENSITY DISTRIBUTION



CENTER TO CENTER SPACING

NFPA 101 requires 1.0 foot-candle average and 0.1 foot-candle minimum with a 40:1 maximum/ minimum ratio. The corridor used is 100 feet long, 9 feet ceiling with a 6 feet wide walkaway and 3 feet path of egress.

The reflectance are 80% ceiling, 50% walls and 20% floors. The fixture mounting height is 7.5 feet.



No.	MODEL	CENTER TO CENTER SPACING	LUMEN OUTPUT
1	CB-810	24 feet	200 lm
2	CB-810-HO	30 feet	300 lm

REMOTE HEADS



EXH-701-HO

- Single remote head, 3.6VDC 1.5W delivers 120lm per unit
- Operation temperature range 10°C...+40°C
- Suitable for damp location
- UL, cUL listed



EXH-702-HO

- Dual remote heads, 3.6VDC 3W delivers 240lm per unit
- Operation temperature range 10°C...+40°C
- Suitable for damp location
- UL, cUL listed



EXH-701

- Single remote head, 3.6VDC 1W delivers 75lm per unit
- Operation temperature range 10°C...+40°C
- Suitable for damp location
- UL, cUL listed



EXH-702

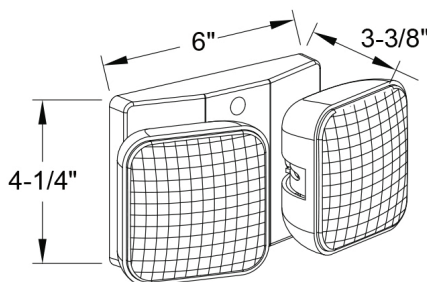
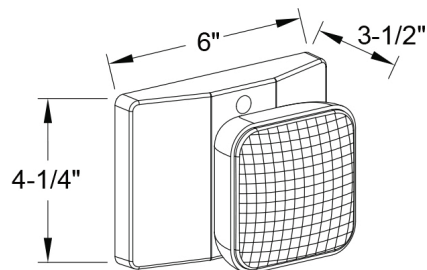
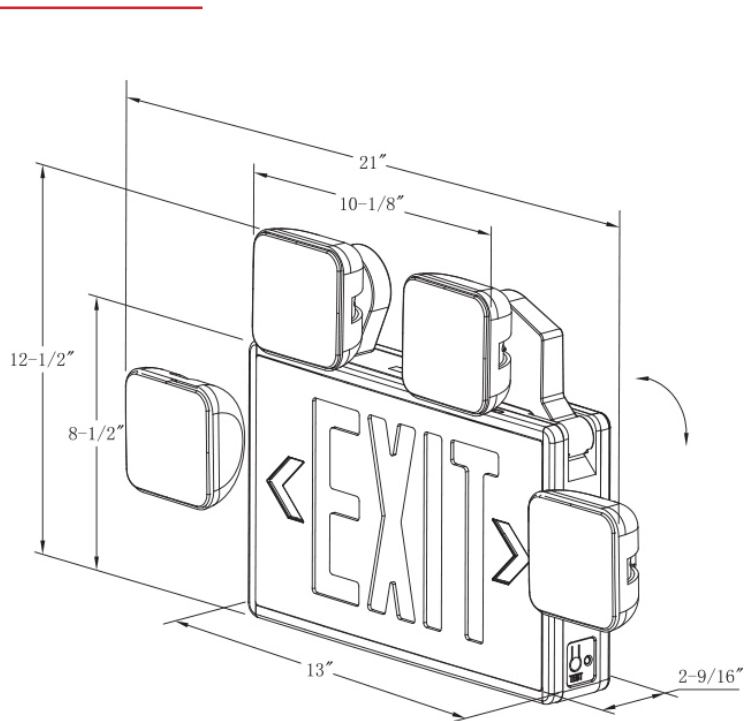
- Dual remote heads, 3.6VDC 2W delivers 150lm per unit
- Operation temperature range 10°C...+40°C
- Suitable for damp location
- UL, cUL listed

Project Name:
Type:

CB-810 Series

LED Exit Sign and Emergency Lighting Combo
Wireless Reporting Compatible

PRODUCT DIMENSION



PACKAGING

