

Project Name:	
Type:	

# LD1060 Series

High Power Constant Current LED Driver  
60 Watts Max. | 21 - 27VDC

## PRODUCT FEATURE :

- DC Output with Constant Current,
- 1-10V dimming compatible
- Meet FCC and CE standards
- For Dry and Damp Locations
- Logic "Enable" for on/off control
- Terminal block for easy, fast installation
- Three Year Warranty



## APPLICATIONS :

- LED General / Industrial Luminary
- LED Architectural Lighting
- LED Industrial Lighting
- Solar Applications
- E-Merge Application

## WARRANTY

- See [Limited Warranty Policy](#) for more Additional information



## SPECIFICATIONS :

- **Input Range:** 21 - 27Vdc, 4A (Note: Input polarity protection)
- **Output:** 600mA, 80-100V (Vf) Other than Class 2
- **Efficiency:** 93% Typical
- **Protection:** OPP, SCP - Auto recovery
- **Operation Temp.:** -30C~+55C, Tc: 80°C
- **Storage Temp:** -40°C - +85°C
- **MTBF (@25C):** 100,000 Hours, MIL-217F
- **EMC meet:** FCC Class B
- **Load Regulation:** +/-1%
- 0-10V Dimming, driver will dim off.
- **Housing:** Polycarbonate - Rated UL94 V-2, 105°C.
- **UL approved:** Pending
- **CE approved:** LVD 14KWE05208D  
EMC 14KWE041283E  
FCC 14KWE041284F
- 5 yrs warranty provided tc point remains below 80°C
- Bar code defined by drawing 77-0120.
- Drivers comply with UL8750 Supplement SF
- **Dimension:** 141 x 45 x 26mm (LxWxH) +/-0.5mm

## MODEL LIST :

FEATURES / MODEL	LD1060 Series				
	-36-C1650	-48-C1250	-60-C1000	-88-C0680	-100-C0600 *
INPUT VOLTAGE (DC)	24VDC (+/- 3V)	+24VDC (+/- 3V)	+24VDC (+/- 3V)	+24VDC (+/- 3V)	+24VDC (+/- 3V)
EFFICIENCY	93% min.				
OPERATIONAL TEMPERATURE	-30 ~ +50 °C				
DIMMING	1-10 VDC				
LOAD REGULATION	± 1%				
FORWARD VOLTAGE RANGE (VDC)	23-40 <small>note2</small>	27-52	32-65	44-88	80-100
MAX. FORWARD CURRENT (MA)	1650	1250	1000	700	600
MAX. OUTPUT (WATTS)	60				

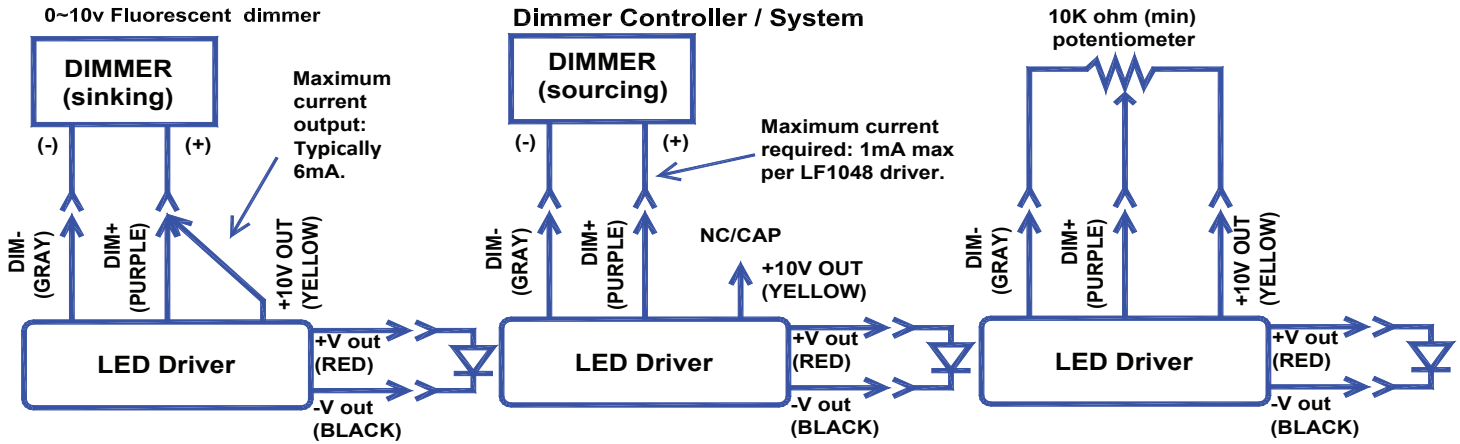
\* UL pending, LD1060-100-C0600

\* Note2, refer to Wiring Diagram.

# LD1060 Series

High Power Constant Current LED Driver  
60 Watts Max. | 21 - 27VDC

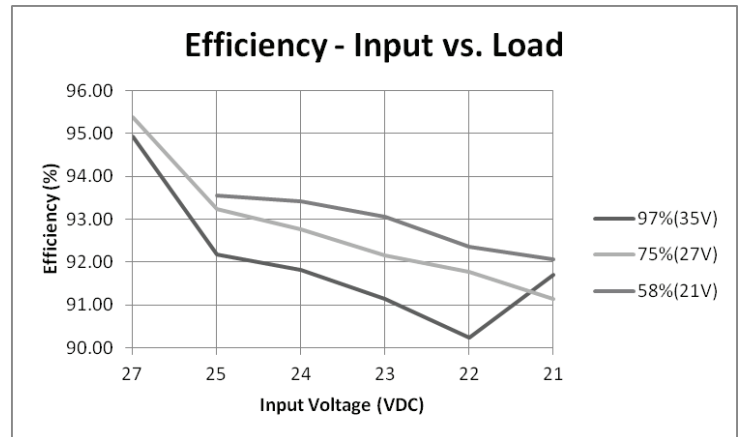
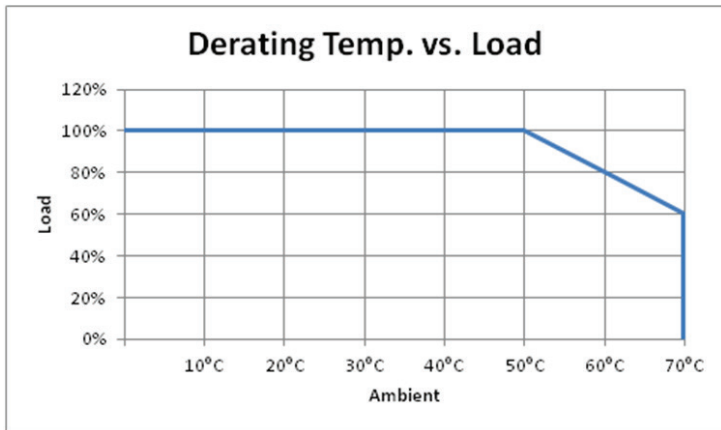
## WIRING DIAGRAM :



Note1: When DIM+, DIM- and +10V are left open, the output will be at the maximum rated current.

Note2: When input is greater than 18VDC, the Vf (forward voltage) has to be at least 2VDC higher than the input voltage.

Note3: LD1060-100-C0600 does comply to UL8750 safety standard but not certified at the moment.



## MECHANICAL SPECIFICATIONS :

