

Project Name:	
Type:	

# LD1025 Series

High Power Constant Current LED Driver  
25 Watts Max.

## PRODUCT FEATURE

- DC Output with Constant Current,
- 1-10V dimming compatible
- Meet FCC and CE standards
- For Dry and Damp Locations
- Logic "Enable" for on/off control
- Terminal block for easy, fast installation
- Three Year Warranty



## APPLICATIONS

- LED General / Industrial Luminary
- LED Architectural Lighting
- LED Industrial Lighting
- Solar Applications
- E-Merge Application

## WARRANTY

- See [Limited Warranty Policy](#) for more Additional information

## SPECIFICATIONS

<b>INPUT RANGE :</b>	10 – 27Vdc/ 2.8A max.	<b>INPUT REVERSE POLARITY PROTECTION :</b>	Yes
<b>EFFICIENCY :</b>	93% Typical	<b>MTBF(@25°C) :</b>	>100,000 Hours, MIL-217F
<b>PROTECTION :</b>	OPP, SCP - Auto Recovery	Meet UL safety standard	
<b>OPERATION TEMP. :</b>	-30°C ~ +55°C, Tc : 80°C	FCC Class B, EN55015 compliant	
<b>STORAGE TEMP. :</b>	-40°C ~ +85°C	<b>DIMENSION :</b>	86 x 43.5 x 26mm (L x W x H) +/- 0.5mm

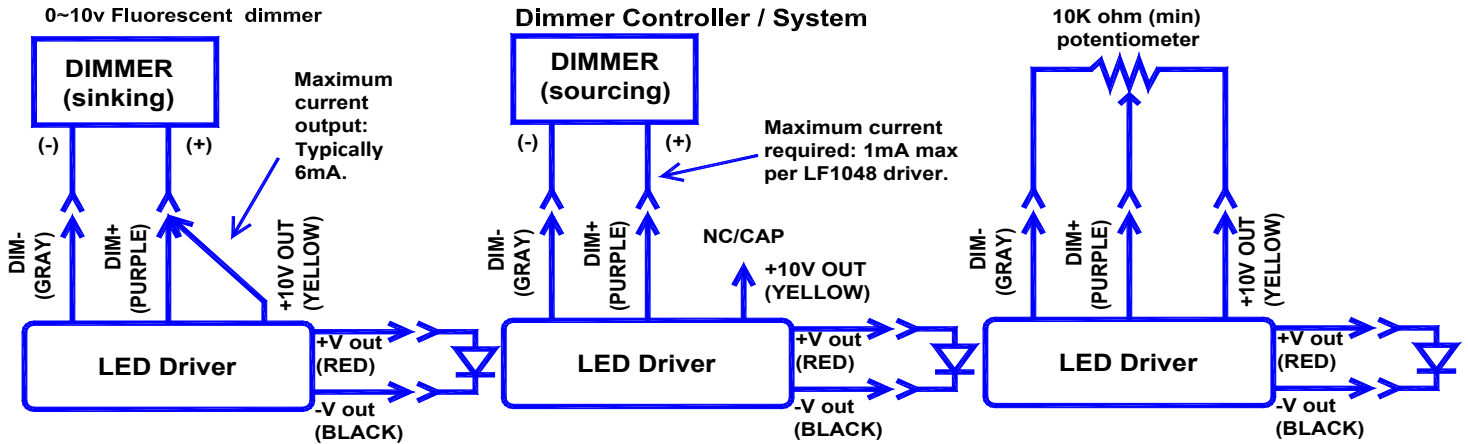
## MODEL LIST

FEATURES/ MODEL	LD1025 Series			
	-36-C0750	-48-C0550	-60-C0450	-88-C0350
<b>INPUT VOLTAGE (DC)</b>	12-24VDC (-0V/ +3V)	+24VDC (+/- 3V)	+24VDC (+/- 3V)	+24VDC (+/- 3V)
<b>EFFICIENCY</b>	93% min.			
<b>OPERATIONAL TEMPERATURE</b>	-30 - +50°C			
<b>DIMMING</b>	1 – 10VDC			
<b>LOAD REGULATION</b>	± 1%			
<b>FORWARD VOLTAGE RANGE (VDC)</b>	18 – 40 <sup>Note2</sup>	27 – 52	32 – 65	44 - 88
<b>MAX. FORWARD CURRENT</b>	750	550	450	350
<b>MAX. OUTPUT (WATTS)</b>	25	25	25	26

# LD1025 Series

High Power Constant Current LED Driver  
25 Watts Max.

## MECHANICAL DRAWING



Note1: When DIM+, DIM- and +10V are left open, the output will be at the maximum rated current.

Note2: When input is greater than 18VDC, the Vf (forward voltage) has to be at least 2VDC higher than the input voltage.

## MECHANICAL SPECIFICATIONS

