

Project Name:	
Type:	

# ZBA-B001

Zigbee Adaptor



The ZBA-B001 is a basic control node in Zigbee network environment. It is designed based on Zigbee H.A 1.2 standard, It can provide dual dimming control by selecting PWM digital and/or 0-10 analog dimming methods. This device can be setup to work as one-to-one or one-to-multiple luminaires based on application requirement.

The ZBA-B001 can work in wide range input from 110VAC to 277VAC, which eliminate the problem during field installation with various line voltages. Its compact sizes gives fixture manufacturer the flexibility during the design phase. The standard OTA feature helps firmware upgrade to ensure long term product maintenance and reliabilities.

## WARRANTY

- See [Limited Warranty Policy](#) for more additional information.

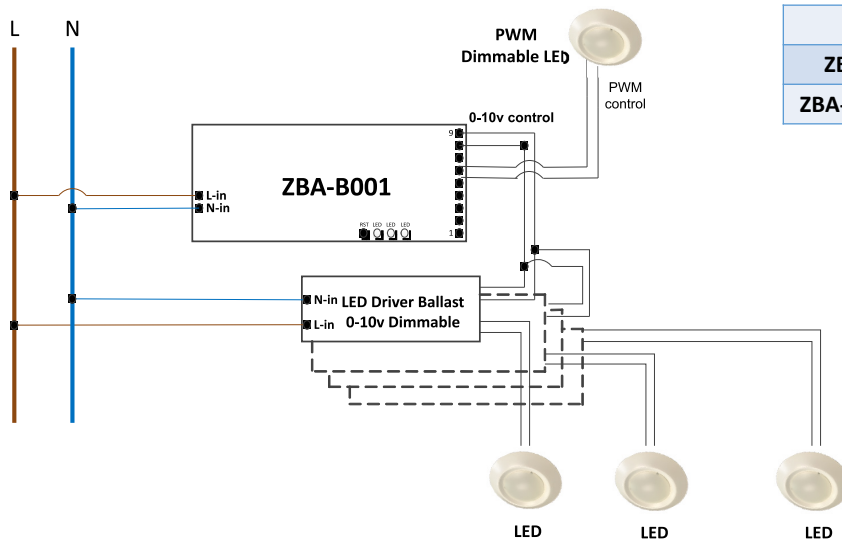
## SPECIFICATIONS

### INDICATOR AND OUTPUT FUNCTIONS

<b>LED INDICATOR</b>	:	Red (Power On) Green Flash (Not Commissioned) Green Solid (Commissioned)
<b>RST</b>	:	Reset Button
<b>EXT. ANTENNA</b>	:	External Antenna Connector
<b>SW1</b>	:	Non functional: Default as 0-10V dimming ON: RGBW 4 Channel PWMs Control OFF: Warm/ Cool 2 Channel PWMs Control
<b>SW2</b>	:	Reserved
<b>SW3</b>	:	ON: Ext. Antenna Enable OFF: Ext Antenna Disable

<b>COMPATIBILITY :</b>	Zigbee H.A 1.2
<b>INPUT :</b>	110 – 277VAC/ 50 – 60Hz
<b>OPERATING ENVIRONMENT :</b>	-20 to +65°C
<b>RADIO PROPERTIES :</b>	2.4GHz, +19.5dBm Transmit Power
<b>INTERNAL ANTENNA :</b>	Built-in
<b>EXTERNAL ANTENNA :</b>	Optional with connector
<b>DIMMING CONTROL</b>	0-10VDC RGBW 4 Channel PWMs Cool/ Warm 2 Channel PWMs
<b>DIMENSIONS :</b>	96 x 30 x 20mm (L x W x H)
<b>COMPLIANCE :</b>	FCC – Certified
<b>WARRANTY :</b>	5 Year

Stand-alone Solution:  
1. Self-Powered Zigbee Adaptor  
(AC Powered)



ORDER INSTRUCTIONS	
<b>ZBA-B001</b>	0-10V Dimming (Default)
<b>ZBA-B001 RGB</b>	4 Channel PWMs