

|               |  |
|---------------|--|
| Project Name: |  |
| Type:         |  |

# ZBA-PM01

Zigbee Adaptor



The ZBA-PM01 is capable of monitoring and measure energy consumed by the node devices it controlled. This highly innovated and multi-function wireless adapter is designed to work flawlessly within any Zigbee H.A 1.2 communication systems. The ZBA-OM01 can be used in one to one or one to multiple luminaries environment.

The ZBA-PM01 not only provides wireless control to the luminaries. It also provides On/Off and versatile PWM/ 0-10V analog dimming controls. The wide range AC input from 110VAC to 277VAC solved the problem during field installations. It's compact form-factor gives fixture manufactures an easier way to adapt during this designing stage. The isolated 24VDC output provides source voltages for low voltage occupancy and/or photo sensors. Tethered with ZBA-PM01, you can turn non-wireless sensor into Zigbee ready sensor to join the network.



## WARRANTY

- See [Limited Warranty Policy](#) for more additional information.

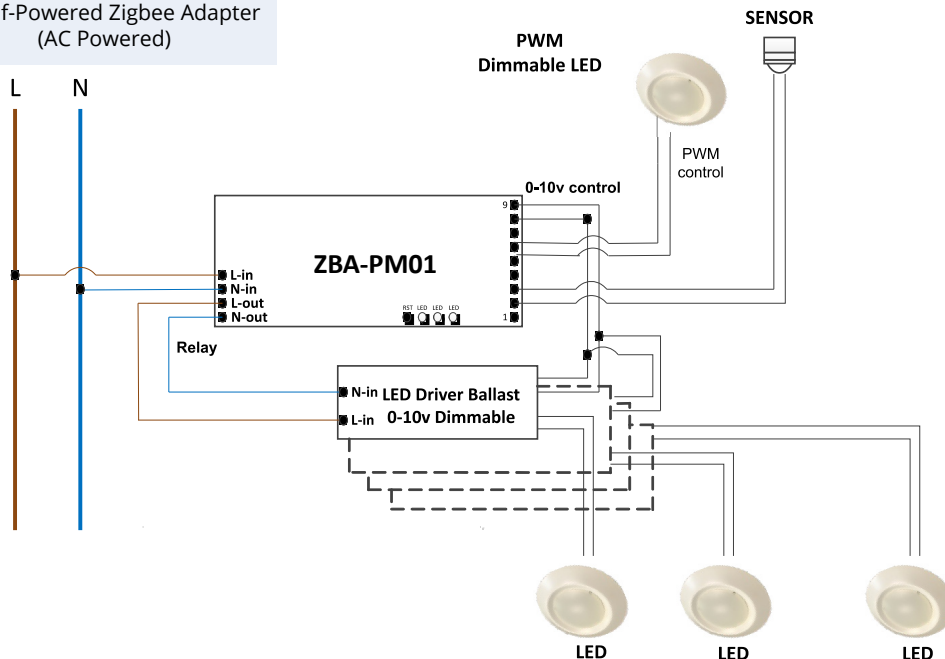
## SPECIFICATIONS

### INDICATOR AND OUTPUT FUNCTIONS

|                      |   |  |
|----------------------|---|--|
| <b>LED INDICATOR</b> | : | Red (Power On)<br>Green Flash (Not Commissioned)<br>Green Solid (Commissioned)   |
| <b>RST</b>           | : | Reset Button   |
| <b>EXT. ANTENNA</b>  | : | External Antenna Connector   |
| <b>SW1</b>           | : | ON: Sensor Connection Enable<br>OFF:   |
| <b>SW2</b>           | : | ON: Linear Sensor Input<br>OFF: Occupancy (or Binary) sensor input   |
| <b>SW3</b>           | : | Non-Functional: Default as 0-10V dimming<br>ON: RGBW 4-Channel PWMs Control<br>OFF: Warm/ Cool 2- Channel PWMs Control |

|                                    |  |
|------------------------------------|--|
| <b>COMPATIBILITY :</b>             | Zigbee H.A 1.2   |
| <b>INPUT :</b>                     | 110 – 277VAC/ 50 – 60Hz  |
| <b>OUTPUT VIA ISOLATED REPLY :</b> | 110 – 277VAC/ 50 – 60Hz, 10 Amps Max.                          |
| <b>POWER MEASUREMENT :</b>         | 2% accuracy, 0.03 – 10 Amps                                    |
| <b>LOW VOLTAGE OUTPUT :</b>        | 12 or 24VDC; 50mA  |
| <b>SENSOR SUPPOT :</b>             | Occupancy Sensor Linear Sensor                                 |
| <b>OPERATING ENVIRONMENT :</b>     | -20 to +65°C   |
| <b>RADIO PROPERTIES :</b>          | 2.4GHz, +19.5dBm Transmit Power                                |
| <b>ANTENNA :</b>                   | Built-in and External  |
| <b>EXTERNAL ANTENNA :</b>          | Optional with connector  |
| <b>DIMMING CONTROL :</b>           | 0-10VDC<br>RGBW 4 - Channel PWMs<br>Color temp 2 – Channel PWM |
| <b>DIMENSIONS :</b>                | 102 x 41 x 24mm (L x W x H)                                    |
| <b>COMPLIANCE :</b>                | FCC Certified  |
| <b>WARRANTY :</b>                  | 5 YEAR   |

Stand-alone Solution:  
1. Self-Powered Zigbee Adapter  
(AC Powered)



| ORDER INSTRUCTIONS |                        |
|--------------------|------------------------|
| ZBA-PM01           | 0-10 dimming (Default) |
| ZBA-PM01 RGB       | 4 – Channel PWMs       |