

Project Name:	
Type:	

SEL-800 Series

LED Edge-lit Exit Sign
Egress Lighting and Wireless Egress Lighting

PRODUCT FEATURE

HOUSING

- Compact and decorative design
- Aluminum housing with high grade acrylic panel
- Replaceable acrylic EXIT panel
- Removable directional indicators
- Single and double face universal design
- Removable front cover for easy installation and maintenance
- 6" height red and green letter optional
- Single and double face optional
- Suitable for damp location
- LynxEM® Wireless Testing and Reporting System



ELECTRICAL

- 120/277VAC dual voltage operation
- Test switch and charge rate indicator
- Self-test and Self-diagnostics function is available for battery backup model
- AC only model optional
- Dual AC input model optional

LISTING

- Suitable for use in 10°C - 40°C ambient temperature, suitable for damp location
- UL listed meets or exceed all requirement in NFPA 70, NFPA 101 life safe code
- Compliant CEC title 20 efficiency regulations

RELATED PRODUCTS

- ↻ [RCER880 Edge-lit Combo](#)
- ↻ [SCEL8000 Emergency light](#)
- ↻ [C4 Series](#)
- ↻ [S1 Series - Exit Sign](#)

MOUNTING

- Wall mounting, Ceiling mounting and Side mounting

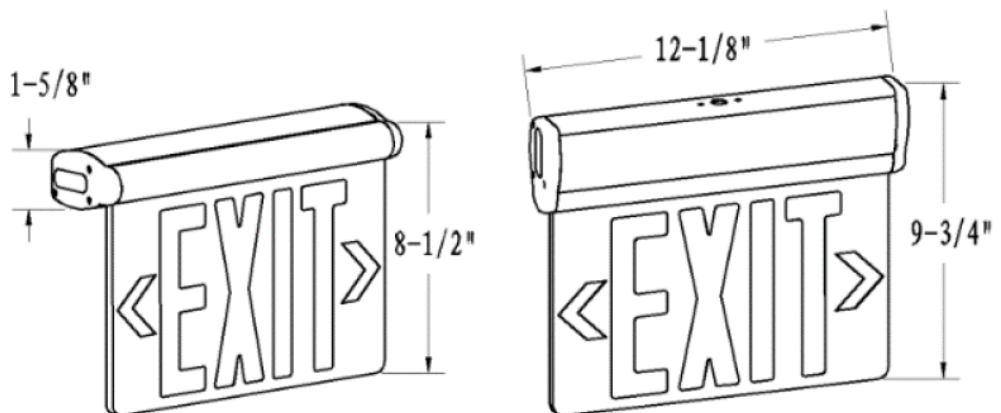
WARRANTY

- See [Limited Warranty Policy](#) for more additional information

ORDER INFORMATION: EXAMPLE: SEL-810-D-W-ZD-AL-3-BLACK

MODEL	SERIES	FACE	LETTER COLOR	BACKGROUND	TEST FACILITY	HOUSING COLOR	VOLTAGE	PANEL
SEL	800 Battery backup	D Double Face	R Red	C Clear	Blank Standard Circuit	AL Aluminum	1 120/277V	Black Standard type
	810 AC only	S Single Face	G Green	M Mirror	CT Self-diagnostics	WH White	3 220V	U Including single and double face panel for universal
	810T Dual AC input			W White	ZD Wireless Reporting LynxEM® Control			

PRODUCT DIMENSION



Project Name:	
Type:	

SEL-800 Series

LED Edge-lit Exit Sign
Egress Lighting and Wireless Egress Lighting

PACKAGING

QTY : 6 PCS
N.W : 7.5 KGS
G.W : 8.8 KGS
MEA'S : 1.37 CUFT

