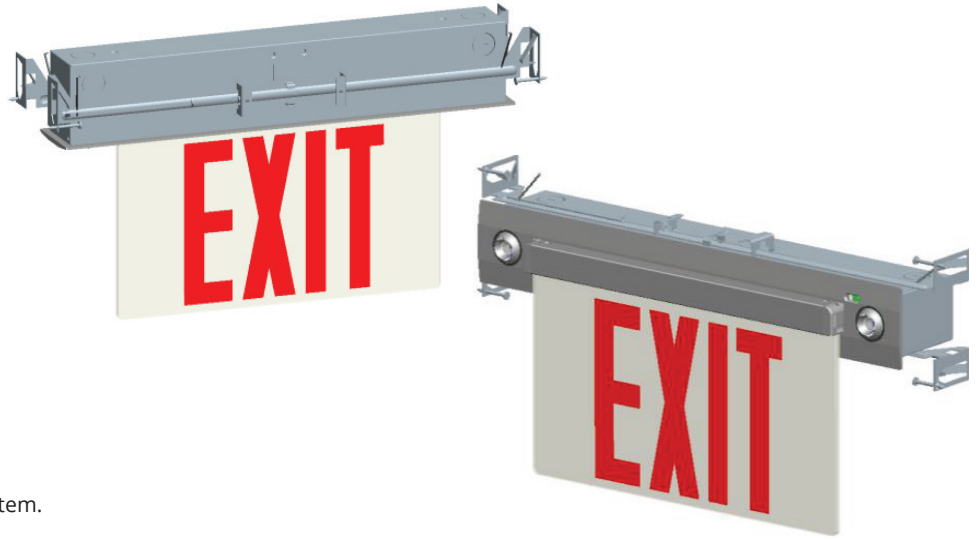


Project Name:	
Type:	

RCEL-8000

Emergency Lighting Combo



PRODUCT FEATURE

- Recessed ceiling and recessed wall mount
- Full angle adjustable lamp head
- High temperature long life Ni-MH battery
- Extrusion aluminium alloy trim plate
- Acrylic panel changeable design
- 8" height letter
- Suitable for damp location
- Slim type design
- Self-test/self-diagnostics function available
- Remote capability design with additional battery
- 30 Degree beam angel
- Compatible with LynxEM™ testing/reporting system.

TECHNICAL SPECIFICATION

Rated Power Supply	:	120/277 VAC 60Hz
Charge Time	:	24 hours
Discharge duration	:	1.5 hours
Test facility	:	Manual test / Self-test / LynxEM™ testing
Mounting	:	Recessed ceiling and recessed wall
LED	:	High power LED for lamp head, SMD LED for sign
Luminance of safety sign	:	Meet UL 924
Ambient temperature	:	10°C - 40°C, suitable damp location
Insulation Class	:	Class I
Certification	:	UL 924

RELATED PRODUCTS

- 🔗 [RCER880 Emergency Light Combo](#)
- 🔗 [SCEL8000 Emergency Light](#)
- 🔗 [EXL-700 Emergency Lighting](#)
- 🔗 [EXL-1960 Emergency Lighting](#)

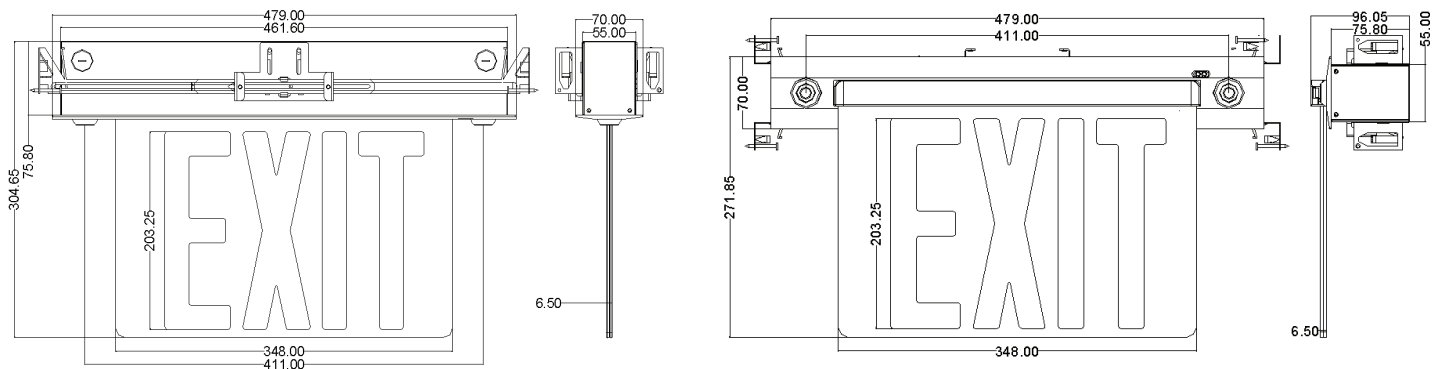
WARRANTY

- See [Limited Warranty Policy](#) for more additional information

ORDER INFORMATION: EXAMPLE: RCEL-8000-S-G(M)-WH-ZD-HO-RC-U

MODEL	FACE	LETTER	EXIT PANEL BACKGROUND		TRIM PLATE FINISHED		SELF-DIAGNOSTICS		BATTERY CAPACITY		REMOTE CAPABILITY		PANEL NUMBER	
RCEL-8000	S Single face D Double face	R Red G Green	BLANK (M)	Clear Mirrored	AL Aluminum WH White BK Black	BLANK CT ZD	Standard Circuitry Self-diagnostic CT with Wireless Reporting LynxEM™ Control	Blank HO	3.6V 1800mAh 250Lm output 3.6V 2500mAh 400Lm output	BLANK RC	No Remote Capability 3.6V max. 3W remote capability	BLANK U	Standard Type Providing additional EXIT Panel	

PRODUCT DIMENSION

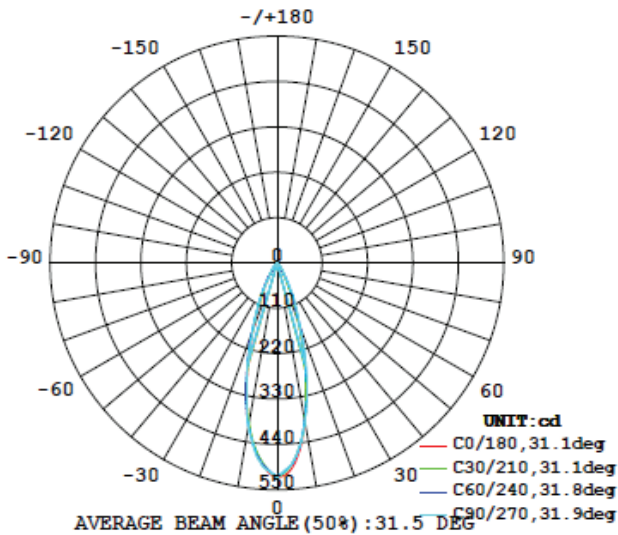


Project Name:	
Type:	

RCEL-8000

Exit Sign & Emergency Lighting
Wireless Reporting Compatible

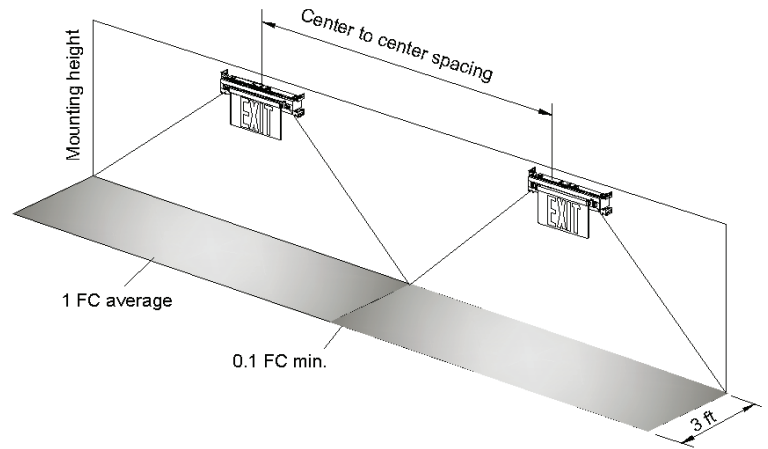
LUMINOUS INTENSITY DISTRIBUTION



CENTER TO CENTER SPACING

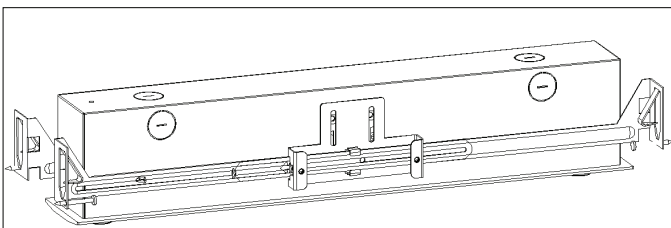
NFPA 101 requires 1.0 foot-candle average and 0.1 foot-candle minimum with a 40:1 maximum/minimum ratio. The corridor used is 100 feet long, 9 feet ceiling with a 6 feet wide walkway and 3 feet path of egress.

The reflectance are 80% ceiling, 50% walls and 20% floor. The fixture mounting height is 7.5 feet.

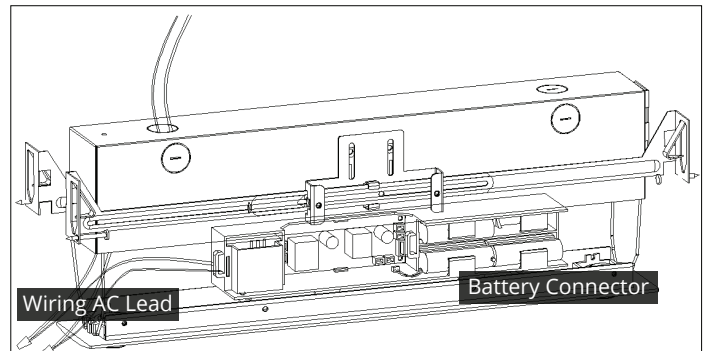


No.	MODEL	SPACING @ 7.5 FEET MOUNTING HEIGHT	SPACING @ 10 FEET MOUNTING HEIGHT
1	RCEL-8000-X	34 feet	40 feet
2	RCEL-8000-X-HO	42 feet	48 feet

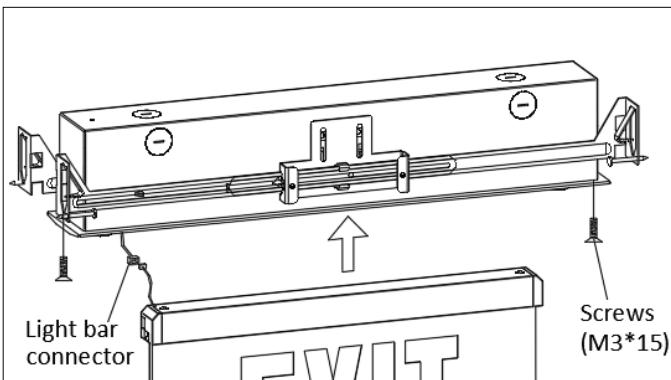
PRODUCT INSTALLATION EXPLODED



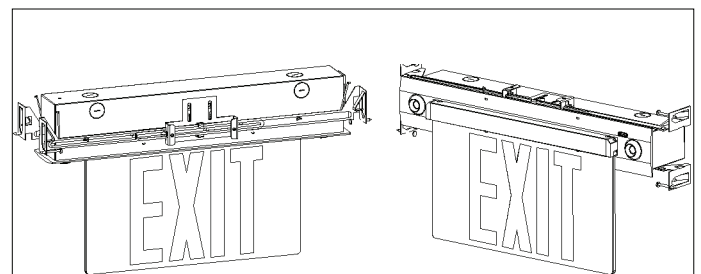
Step 1: Install canopy to junction box.



Step 2: Separate trim module and connect battery connector to PCB



Step 3: Push the unit back to the junction box, assembly panel module.



Step 4: Ceiling or surface mount for panel module.

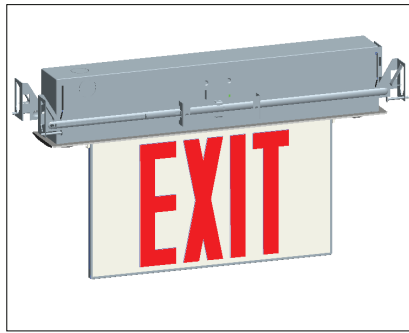
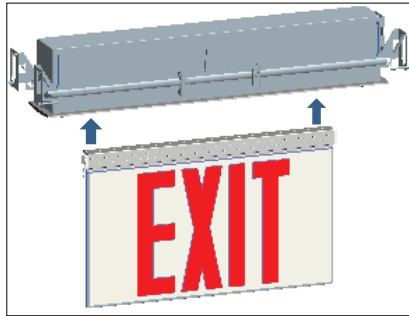
Project Name:	
Type:	

RCEL-8000

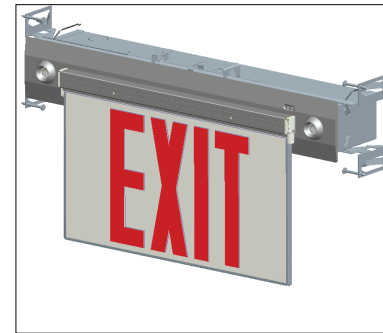
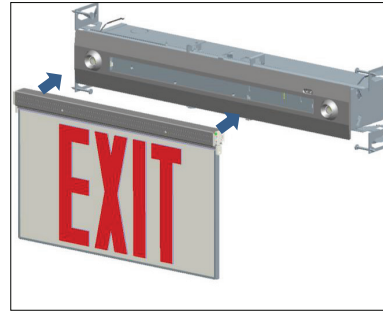
Exit Sign & Emergency Lighting
Wireless Reporting Compatible

RECESSED CEILING OR RECESSED WALL MOUNT

RECESSED CEILING MOUNT



RECESSED WALL MOUNT



PACKAGING

INNER BOX : 515x260x110mm
 CARTON BOX : 530x445x240mm
 Q'TY : 4 PCS
 N.W : 10.3 KGS
 G.W : 12.4 KGS
 MEA'S : 2.42 CUFT

