

ZBA-E001

Zigbee Adaptor

Project Name:	
Type:	



This innovated and multi-function wireless fixture adapter is designed to work flawlessly within any Zigbee H.A 1.2 communication systems. The ZBA-E001 can be used with one to one or one to multiple luminaries environment.

The ZBA-E001 not only provides wireless control to the luminaries. It also provides On/Off and versatile PWM/ 0-10V analog dimming controls. The wide range AC input from 110VAC to 277VAC solved the problem during field installations. It's compact form-factor gives fixture manufactures an easier way to adapt during this designing stage. The isolated 24VDC output provides source voltages for low voltage occupancy and/or photo sensors. Tethered with ZBA-E001, you can turn non-wireless sensor into Zigbee ready sensor to join the network.

WARRANTY

- See [Limited Warranty Policy](#) for more additional information.

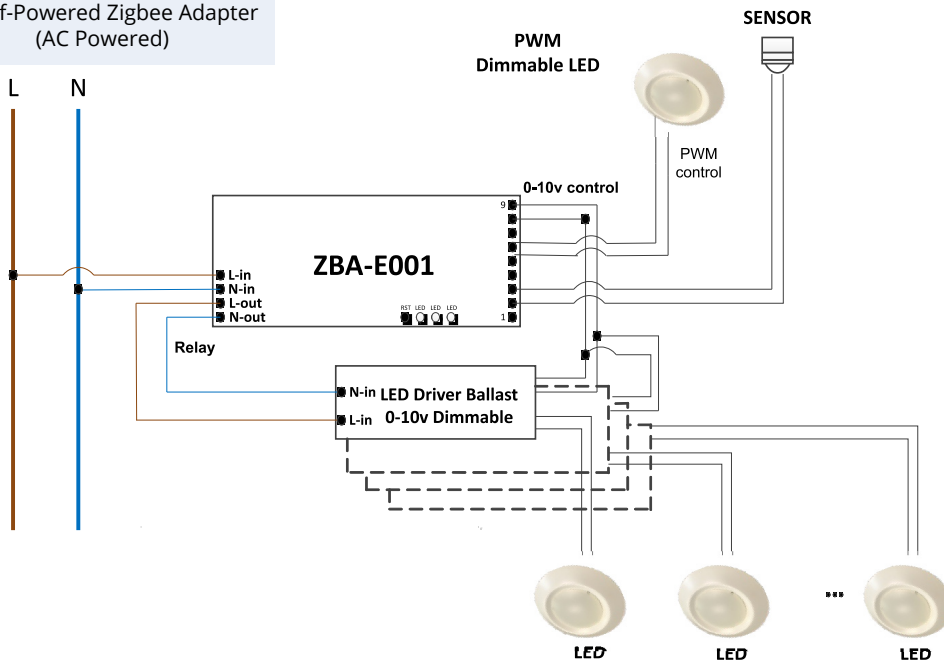
INDICATOR AND OUTPUT FUNCTIONS

LED INDICATOR	:	Red (Power On) Green Flash (Not Commissioned) Green Solid (Commissioned)
RST	:	Reset Button
EXT. ANTENNA	:	External Antenna Connector
SW1	:	ON: Sensor Connection Enable OFF:
SW2	:	ON: Linear Sensor Input OFF: Occupancy (or Binary) sensor input
SW3	:	Non-functional: Default as 0-10V dimming ON: RGBW 4-Channel PWMs Control OFF: Warm/ Cool 2- Channel PWMs Control

SPECIFICATIONS

COMPATIBILITY :	Zigbee H.A 1.2
INPUT :	110 – 277VAC/ 50 – 60Hz
OUTPUT VIA ISOLATED REPLY :	110 – 277VAC/ 50 – 60Hz, 10 Amps Max.
LOW VOLTAGE OUTPUT :	12 or 24VDC; 50mA
SENSOR SUPPOT :	Occupancy Sensor Linear Sensor
OPERATING ENVIRONMENT :	-20 to +65°C
RADIO PROPERTIES :	2.4GHz, +19.5dBm Transmit Power
ANTENNA :	Built-in and External
EXTERNAL ANTENNA :	Optional with connector
DIMMING CONTROL :	0-10VDC RGBW 4 - Channel PWMs Color temp 2 – Channel PWM
DIMENSIONS :	102 x 41 x 24mm (L x W x H)
COMPLIANCE :	UL (Pending)/ FCC Certified
WARRANTY :	5 YEAR

Stand-alone Solution:
1. Self-Powered Zigbee Adaptor
(AC Powered)



ORDER INSTRUCTIONS	
ZBA-E001	0-10 dimming (Default)
ZBA-E001 RGB	4 – Channel PWMs