

# KMD-YY-XXX-E1 Series

Constant Current Dimmable Driver  
DALI DT6 Compatible | Available 350 - 900mA



## PRODUCT OVERVIEW

- KMD-YY-DALI-E1 is dimming driver that can provide Constant Current output.
- Compatible with DALI standard protocol IEC 62386, DALI Digital control input, PWM output
- Built-in MCU, customizable logarithmic or linear dimming.
- With smooth dimming curve and are flicker free.
- Isolated power supply design.
- Compatible with DALI touch control (KDD-DIM-L-06)

## PRODUCT FEATURE

- Single channel constant output
- Input voltage range from 220VAC to 240VAC
- IP20 rated, PF >0.9 efficiency is 83% typ.
- Round design, suitable for all lighting designs.
- Protections: Short circuit, over load, over current
- Compatible with DALI protocol IEC 62386: 101 102 207
- The dimming effect is smooth, no flicker, no jitter
- Suitable for LED CC lighting, such as LED spotlight, LED ceiling lights, LED wall washing lights, LED buried lights, etc.



## WARRANTY

- See [Limited Warranty Policy](#) for more additional information.

## TECHNICAL PARAMETERS

MODEL		KMD-25-DALI-E1	KMD-28-DALI-E1	KMD-32-DALI-E1	KMD-36-DALI-E1
INPUT	EFFICIENCY	83% @ 230VAC, Full load			
	VOLTAGE	220VAC - 240VAC			
	FREQUENCY	50 - 60Hz			
	POWER FACTOR	>0.9 @ 230VAC, Full load			
	THD	<20% 230VAC, Full load			
	STANDBY POWER	0.5W			
	CURRENT @220VAC	0.05A	0.07A	0.08A	0.11A
OUTPUT	DIRECT VOLTAGE	20VDC - 40VDC			
	RATED CURRENT (Factory Preset)	350 - 650mA	350 - 700mA	350 - 800mA	350 - 900mA
	RATED POWER	25W	28W	32W	36W
	CURRENT TOLERANCE	±3%			
	OPEN CIRCUIT VOLTAGE	42VDC			
	RIPPLE AND NOISE (MAX)	<800mVp-P			
	CHANNEL	1 Channel			
PROTECTION	OVERLOAD PROTECTION	Latch-off			
	TEMPERATURE PROTECTION	The chip itself has protection			
	SHORT CIRCUIT PROTECTION	Hiccup, Auto-recovery			
SAFETY & EMC	HIGH-VOLTAGE INSULATION TEST	I/P-O/P: 3.75KVAC			
	INSULATION RESISTANCE	IP/-OP: >100M OHMS/ 500VDC/ 25°C/ 70% RH			
	SAFETY STANDARDS	IEC/ ENC61347-1, IEC/EN61347-2-13			
	EMC EMISSION	EN IEC 55015, EN61000-3-2, IEC61000-3-3			
	EMC IMMUNITY	EN61547			

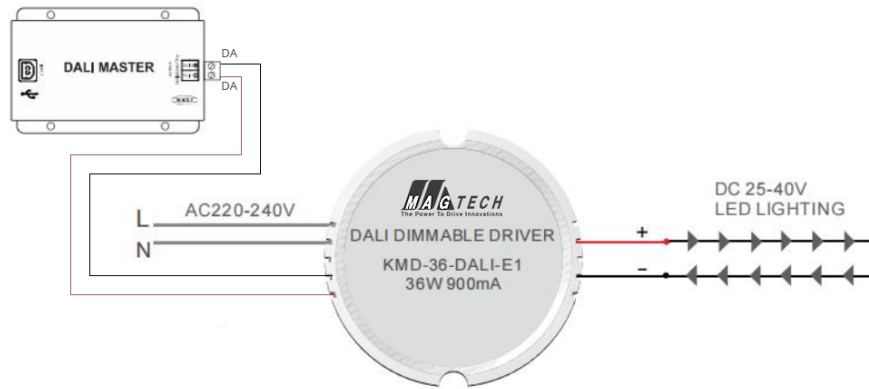
Project Name:	
Type:	

# KMD-YY-XXX-E1 Series

Constant Current Dimmable Driver  
DALI DT6 Compatible | Available 350 - 900mA

MODEL		KMD-25-DALI-E1	KMD-28-DALI-E1	KMD-32-DALI-E1	KMD-36-DALI-E1
FUNCTION	DIMMING RANGE	3% -100%			
	DIMMING DEPTH	3%			
	DALI STANDARD	IEC62386-101, IEC62386-102, IEC62386-207			
	"xx" DIMMING FUNCTION	DALI or PUSH			
OTHERS	WORKING TEMP.	-25°C + 45°C, non-Condensing			
	STORAGE TEMP. HUMIDITY	-40°C 85°C, 20 - 90%RH			
	TEMPERATURE POINT - Tc	75°C			
	SHELL MATERIAL	PC			
	IP RATING	IP20			
	LIFETIME	50,000 hours @ta:25°C			
	WARRANTY CONDITION	3 Years			
	SWITCH CYCLE	>15000 times			
	NET WEIGHT	130g			
	DIMENSION	75 x 25mm (Dia. x H)			

## WIRING DIAGRAM

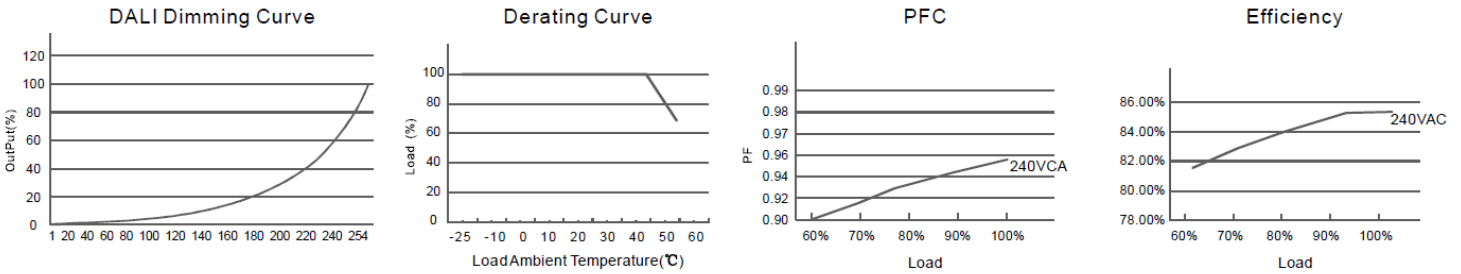


Project Name:	
Type:	

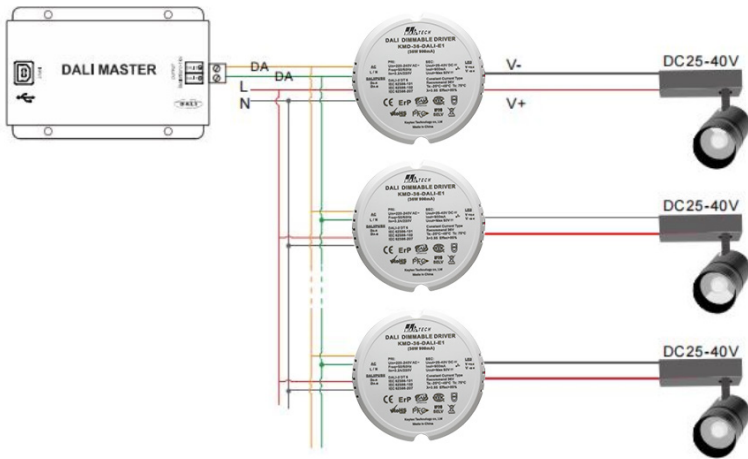
# KMD-YY-XXX-E1 Series

Constant Current Dimmable Driver  
DALI DT6 Compatible | Available 350 - 900mA

## DALI/ PUSH DIMMABLE DRIVER PERFORMANCE CHART

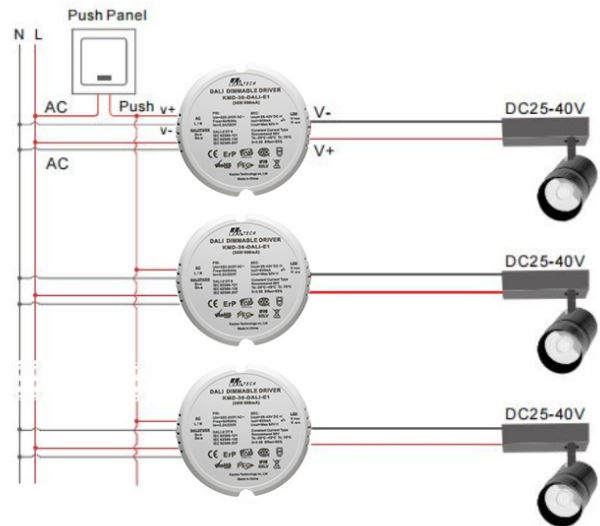


## DALI USES CONNECTION DIAGRAMS



Dali Dimmable Driver has synchronization function during the dimming process.

## PUSH USES CONNECTION DIAGRAMS



Remark: Only use open push button without indicator light. Maximum cable length between each unit: 20 meters.