

KMD-YY-XXX-E2 Series

Constant Current Dimmable Driver
DALI2 DT6 Compatible | Available 180 - 670mA

PRODUCT OVERVIEW

- KMD Series dimmable LED is dimming driver that provide Constant current output.
- Compatible with DALI standard protocol IES 62386, DALI control input, PWM Output.
- Dimming function can be DALI or PUSH. - Factory PRE set.
- Built-in MCU, customizable logarithmic or linear dimming.
- With smooth dimming curve and are flicker free.
- Isolated power supply design
- Compatible with DALI touch control (KDD-Dim-L-06)

PRODUCT FEATURE

- Single channel constant output, 180 - 670mA preset
- Input voltage range from 100VAC to 240VAC
- IP20 rated, PF >0.93 efficiency is 83% typ.
- Round design, suitable for all lighting designs.
- Protections: Short circuit, over load, over current
- Compatible with DALI protocol IEC 62386: 101 102 207
- The dimming effect is smooth, no flicker, no jitter
- Suitable for LED CC lighting, such as LED spotlight, LED ceiling lights, LED wall washing lights, LED buried lights, etc.

TECHNICAL PARAMETERS



WARRANTY

- See [Limited Warranty Policy](#) for more additional information.

MODEL		KMD-10-DALI-E2	KMD-15-DALI-E2	KMD-20-DALI-E2	KMD-25-DALI-E2	KMD-15-DALI-E2 (220V)
INPUT	EFFICIENCY	83% @ 230VAC, Full load				
	VOLTAGE	100VAC - 240VAC	100VAC - 240VAC	100VAC - 240VAC	100VAC - 240VAC	220VAC - 240VAC
	FREQUENCY	50 - 60Hz				
	POWER FACTOR	>0.95 @ 230VAC, Full load				
	THD	<20% 230VAC, Full load				
	STANDY POWER	<0.5W				
	CURRENT	0.05A - 0.12A @ 220VAC				
	LEAKAGE CURRENT (PRI-SEC)	< 0.75mA @ 220V				
OUTPUT	DIRECT VOLTAGE	3VDC - 38VDC	3VDC - 38VDC	3VDC - 38VDC	3VDC - 38VDC	25VDC - 42VDC
	RATED CURRENT (Max.)	180mA	180 - 350mA	350 - 500mA	500 - 670mA	350mA
	RATED POWER	7W Max.	15W Max.	20W Max.	25W Max.	15W Max.
	CURRENT TOLERANCE	±3%				
	OPEN CIRCUIT VOLTAGE	40VDC				
	RIPPLT AND NOISE (MAX)	<800mVp-P				
	CHANNEL	1 Channel				
PROTECTION	OVERLOAD PROTECTION	Latch-off				
	TEMPERATURE PROTECTION	N/A				
	SHORT CIRCUIT PROTECTION	Hiccup, Auto-recovery				
SAFETY & EMC	HIGH-VOLTAGE INSULATION TEST	I/P-O/P: 3.75KVAC				
	INSULATION RESISTANCE	IP/-OP: >100M OHMS/ 500VDC/ 25°C/ 70% RH				
	SAFETY STANDARDS	IEC/ ENC61347-1, IEC/EN61347-2-13				
	EMC EMISSION	EN IEC 55015, EN61000-3-2, IEC61000-3-3				
	EMC IMMUNITY	EN61547				

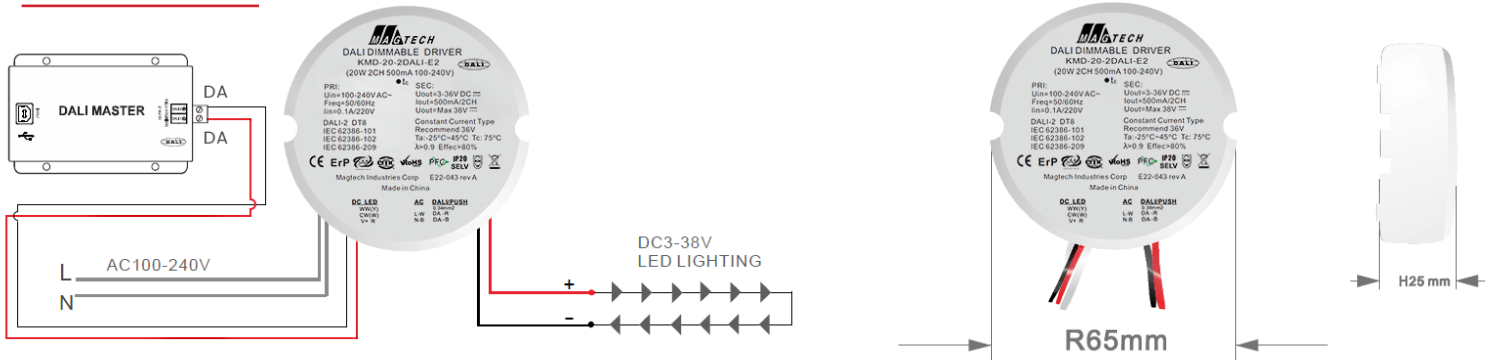
Project Name:	
Type:	

KMD-YY-XXX-E2 Series

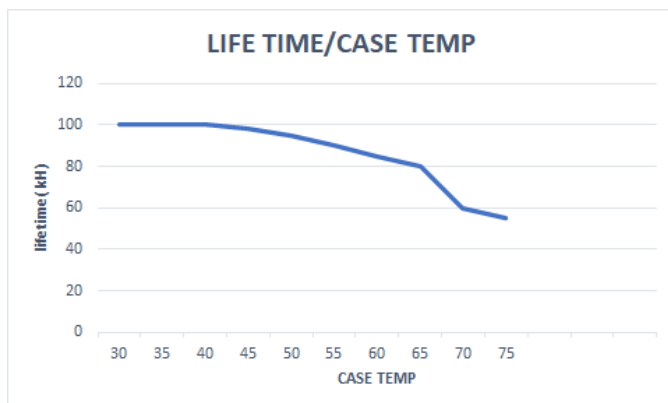
Constant Current Dimmable Driver
DALI2 DT6 Compatible | Available 180 - 670mA

MODEL		KMD-10-DALI-E2	KMD-15-DALI-E2	KMD-20-DALI-E2	KMD-25-DALI-E2	KMD-15-DALI-E2 (220V)
INPUT	EFFICIENCY	83% @ 230VAC, Full load				
FUNCTION	DIMMING RANGE	3% -100%				
	DIMMING DEPTH	3%				
	DALI STANTARD	IEC62386-101, IEC62386-102, IEC62386-207				
	"xx" DIMMING FUCTION	DALI or PUSH				
OTHERS	WORKING TEMP.	-25°C + 45°C, non-condensing				
	STORAGE TEMP. HUMIDITY	-40°C 85°C, 20 - 90%RH				
	TEMPERATURE POINT - Tc	75°C				
	SHELL MATERIAL	PC				
	IP RATING	IP20				
	LIFETIME	50,000 hours @ta:25°C				
	WARRANTY CONDITION	3 Years				
	SWITCH CYCLE	>15000 times				
	NET WEIGHT	100g				
DIMENSION	65 x 25mm (Dia. x H)					

WIRING DIAGRAM



LIFE TIME VS TEMP.

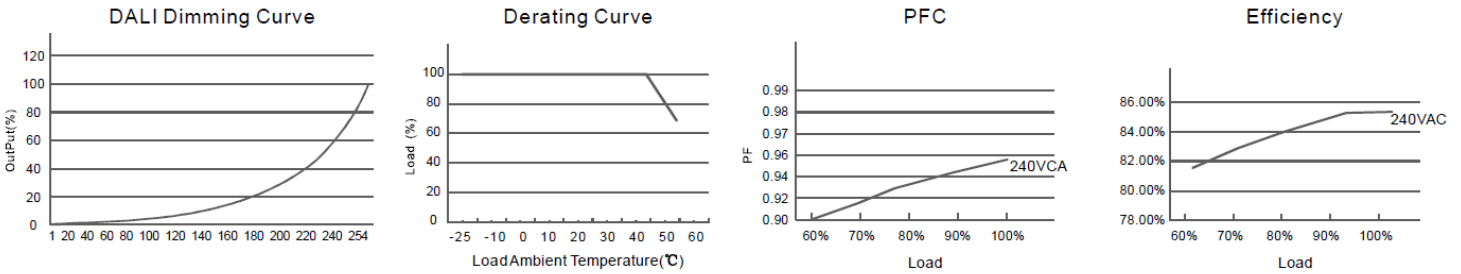


Project Name:	
Type:	

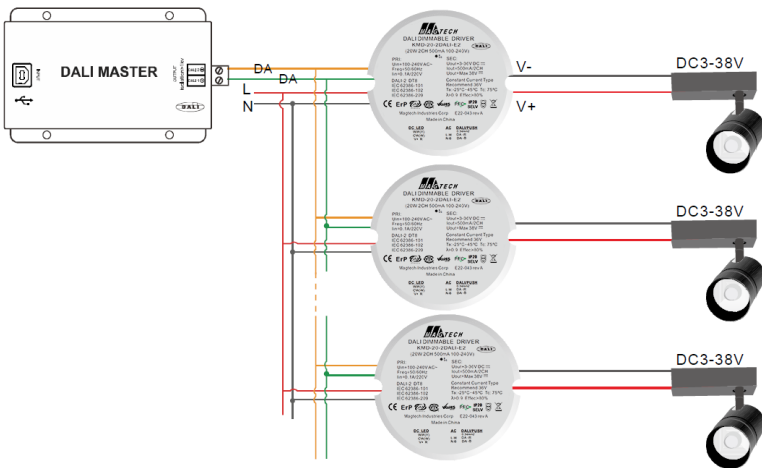
KMD-YY-XXX-E2 Series

Constant Current Dimmable Driver
DALI2 DT6 Compatible | Available 180 - 670mA

DALI/ PUSH DIMMABLE DRIVER PERFORMANCE CHART

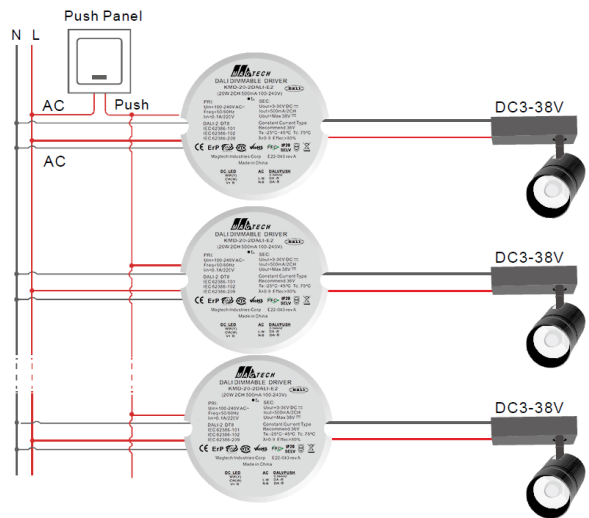


DALI USES CONNECTION DIAGRAMS



Dali Dimmable Driver has synchronization function during the dimming process.

PUSH USES CONNECTION DIAGRAMS



Remark: Only use open push button without indicator light. Maximum cable length between each unit: 20 meters.