

Project Name:	
Type:	

# LD020H-CUXXXX-15

20 Watts AC-DC Constant Voltage  
LED Driver

## PRODUCT FEATURE

- Universal Input / Full range (up to 264VAC)
- Constant Current design
- Class 2 Power Supply Unit
- Built-in active PFC Function
- Fully isolated plastic case
- 2 Years Warranty
- Protections: Over current/ Short Circuit

## WARRANTY

- See [Limited Warranty Policy](#) for more additional information



## SPECIFICATION

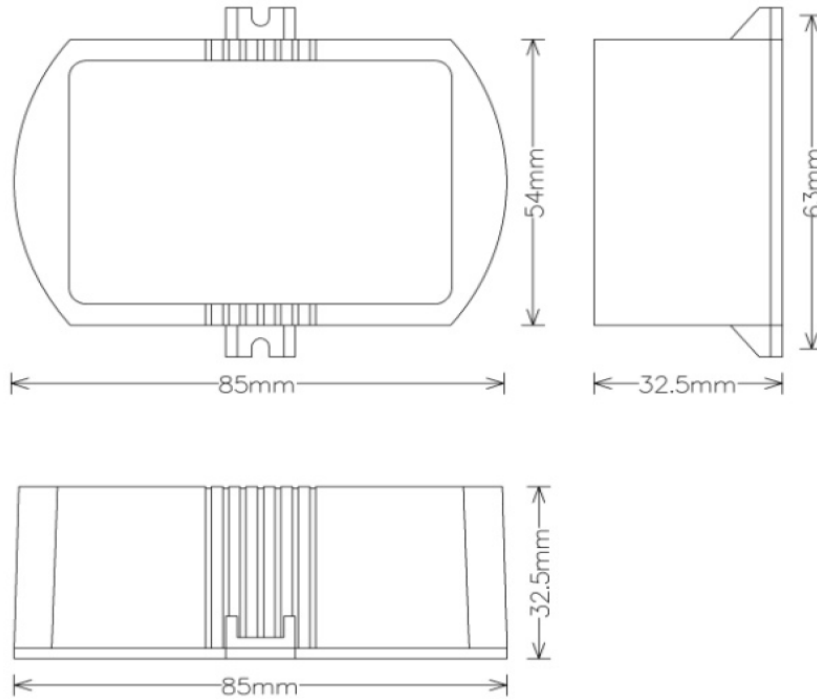
	Model No.	LD020H-CU10524-15	LD020H-CU07034-15	LD020H-CU03556-15
<b>INPUT</b>	Voltage & Frequency Range	100 – 240VAC; 50Hz / 60Hz		
	AC Current (Max.)	0.25A at 115VAC/ 0.16A at 230VAC		
	Power Factor	>0.25 at 115Vac/ > 0.16 at 230Vac		
	Inrush Current (Max.)	<20 A at 240 VAC		
	Leakage Current	<1mA /240 Vac		
<b>OUTPUT</b>	DC Voltage Range	12 – 24V (*VF=20V)	18 – 34V (*VF=31V)	32 – 56V (*VF=56V)
	Constant Current Range	1050mA± 6%	680mA± 6%	350mA± 6%
	Rated Max. Power	20W		
	Ripple & Noise (Max.) Note.2	3.6 Vp-p	5.1 Vp-p	5.6 Vp-p
	Efficiency Note.1	75%	75%	73%
<b>PROTECTIONS</b>	Over Current	110 % - 120% Constant current limiting, auto-recovery		
	Short Circuit	Hiccup mode, recovers automatically after fault condition is removed		
<b>ENVIRONMENT</b>	Working Temperature	-20°C ~ 50°C Constant current limiting, auto-recovery		
	Working Humidity	20% ~ 90% RH non-condensing.		
	Storage Temperature Humidity	'-20 ~ +80°C ,10% ~ 90% RH		
<b>SAFETY &amp; EMC</b>	Safety Standards	meet EN61347-1,EN61347-2-13, UL1310		
	EMC Standards Note. 3	meet EN55015,EN61000-4-2,3,4,5,6,8,11 ,EN61547		
	Withstand Voltage	I/P - O/P: 3.75 KVAC		
	Isolation Resistance	I/P-O/P:100M ohms / 500VDC at 25 °C		
<b>CONNECTION</b>	Input	UL rated,18 AWGx 2 C(150 mm)		
	Output	UL rated,18 AWGx 2 C(150 mm)		
<b>OTHERS</b>	MTBF	100K hours min. @Ta=25 °C		
	Dimension (L*W*H)	85 * 54 (63) * 32.5 mm		
	Packing (L*W*H) / Carton	487 * 352 * 230mm; 100 pcs/ 24.0 Kg		
<b>NOTE</b>	1. All Parameters NOT specially mentioned are measured at 230V AC input, rated load and 25°C ambient temperature. 2. Ripple & Noise are measured at 20MHZ bandwidth oscilloscope and with 0.1uf & 47uf parallel capacitor. 3. The power supply is considered a component which will be installed a final equipment must be re-confirmed that it still meets EMC directives.			

Project Name:	
Type:	

# LD020H-CUXXXX-15

20 Watts AC-DC Constant Voltage  
LED Driver

## WIRING DIAGRAM



## MECHANICAL DIMENSION: Ø65MM

