

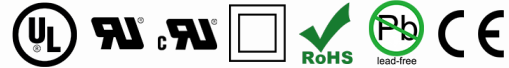
Project Name:	
Type:	

M18-U Series

18 Watts max | 110VAC or 277VAC

PRODUCT FEATURE

- Compact size maximizes design flexibility.
- 3.36" (L) x 1.50" (W) x 1.09" (H)
- Fully potted, suitable for dry and damp location applications
- Dimmable, compatible with Electronic Low Voltage (ELV) dimmer
- UL8750 Class 2 and CE compliant
- Wide selection of pre-adjusted C/C outputs



ELECTRICAL SPECIFICATIONS

INPUT RANGE	:	100 - 132 or 200 - 264 / 0.3 - 0.15A / 47 - 63Hz
DC OUTPUT RANGE	:	Refer to Model selection table
EFFICIENCY	:	87% Typical
OUTPUT CURRENT REGULATION	:	±5%
PROTECTION	:	OC, SCP, OVP - Auto Recovery
DIMMING	:	AC Phase - trailing edge compatible only
POWER FACTOR	:	> 0.98 at full load, 115VAC or 230VAC
OPERATION TEMP.	:	-20°C - + 50°C, Tc: 80°C
STORAGE TEMP.	:	-40°C - + 85°C
MTBF(@25°C)	:	>100,000 hours, MIL-217F
REGULATION COMPLIANCE	:	UL8750 or EN61347, EN55015, EN61547
DIMENSION	:	3.36" x 1.50" x 1.09" (L x W x H)

ENVIRONMENTAL

OPERATING TEMPERATURE	:	-20 to 50°C
STORAGE TEMPERATURE	:	-40 to + 85°C
HUMIDITY (NON-CONDENSING)	:	5% to 95%
COOLING	:	Convection
VIBRATION FREQUENCY	:	5 to 50Hz
MTBF	:	>100,00 Hours at full load and 25°C ambient conditions (MIL-217F)

WARRANTY

- See [Limited Warranty Policy](#) for more additional information.

MODEL SELECTION

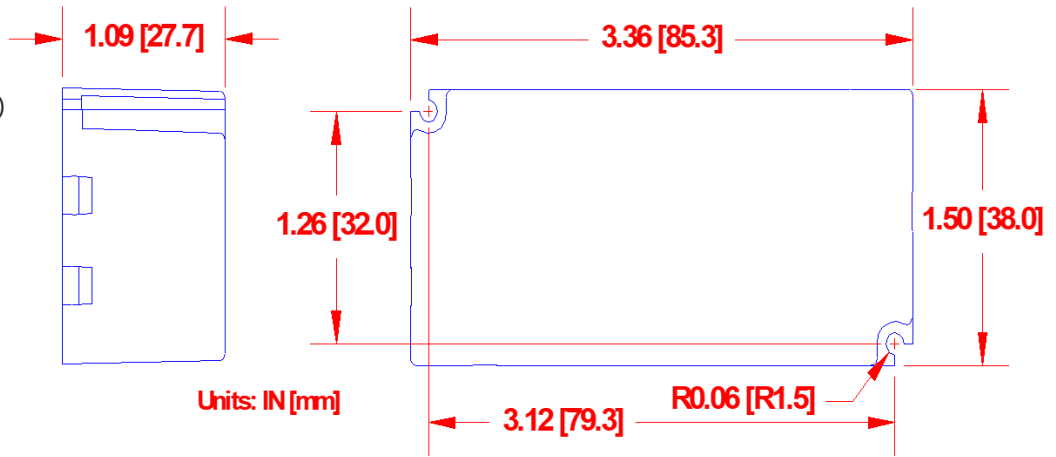
Model Number	DC Output (Vf)	Max. Output	Model Number	DC Output (Vf)	Max. Output (mA/Watts)
M18-U18-0820	10 - 18 VDC	830/ 15.0	M18-U36-0500	21 - 36 VDC	500/ 18.0
M18-U24-0750	15 - 24 VDC	750 / 18.0	M18-U42-0430	26 - 42 VDC	430/ 18.0
M18-U30-0600	18 - 30 VDC	600 / 18.0	M18-U54-0300	32 - 56 VDC	330/ 18.0

M18-U Series

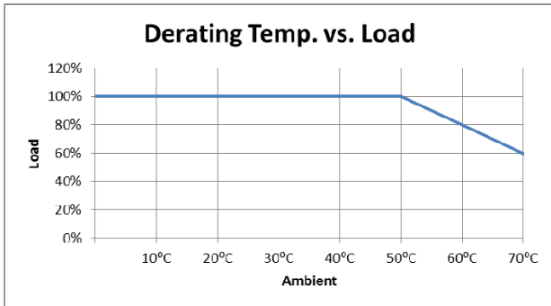
18 Watts max | 110VAC or 277VAC

MECHANICAL DRAWING M18-UYZ-ZZZZ-XP

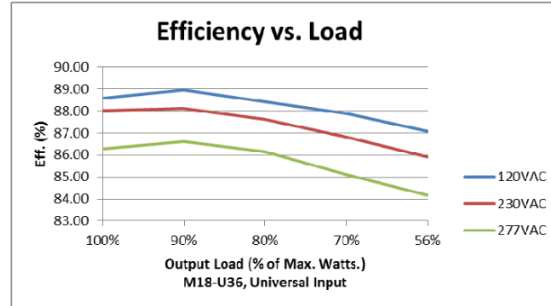
Note:
"-XP" is an optional feature.
When ordered with "-XP", the maximum height is 0.98" (25mm)



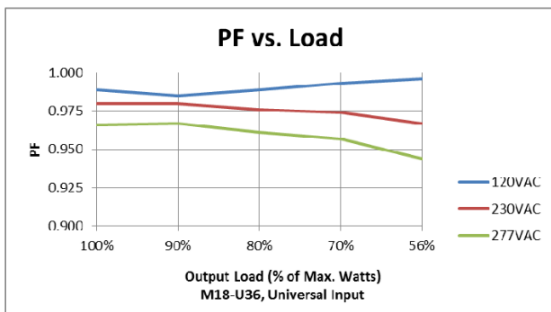
DE-RATING TEMP. VS. LOAD



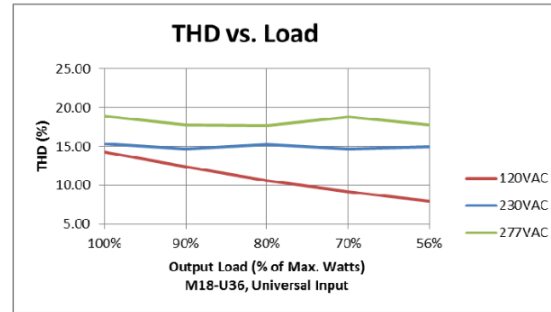
EFFICIENCY VS LOAD



POWER FACTOR VS LOAD



THD VS. LOAD



LIFE TIME VS. AMBIENT TEMP.

