

Project Name:	
Type:	

ELD-CP25

Constant Power Emergency LED Driver

PRODUCT FEATURE

ELD-CP012 Will Operate The Following:

HV and LV version use for parted AC driver with LED module, EM driver connect to input side of LED module, AC driver input power should more than 25W.

HV version use for integral linear power and LED lamp (not switching power, no transformer and inductor on circuit), input power of integral fixture should more than 25W, input voltage of integral fixture 120VAC (Linear power supply with LED normally have fixed input voltage, cannot be universal input).

HV version use for input side of switching power supply (120-277V universal), input power of AC fixture should less than 25W.

EM driver do not suit for Resistance capacitance step-down power supply.



OUTPUT VOLTAGE
10-60 VDC (LV output)
50-200 VDC (HV output)

OUTPUT POWER
25 Watts (Constant)

WARRANTY

- See [Limited Warranty Policy](#) for more additional information

RELATED PRODUCTS

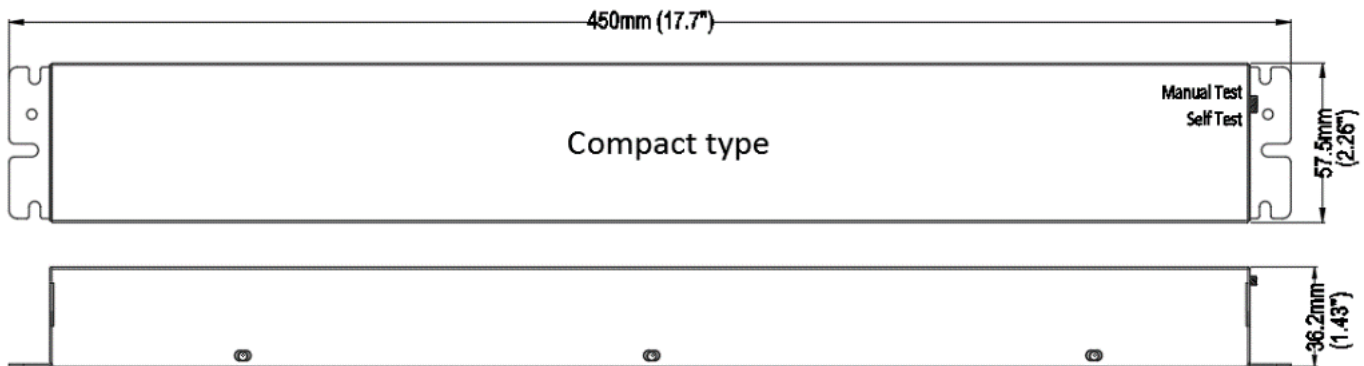
- [ELD-CP07](#)
- [SL-CP07](#)
- [ELD-CP12](#)
- [SL-CP12](#)
- [SL-CP25](#)

 **CONSTANT POWER**  **HIGH-EFFICIENCY FOR CEC COMPLIANCE**  **Lithium Battery**

ELECTRICAL DATA

Input Voltage	120-277VAC, 50/60Hz
Input Power	7Wmax
Blue Lead (LED Driver Output Pass Through)	LV : 60Vmax, 5Amax , HV : 200Vmax, 3Amax
White/Black Lead (Input Pass Through)	1A Max.
Output Voltage Range	LV : 20~60VDC (class2 output) , HV : 50~200VDC
Output Current	LV : 1.25A(@20Vdc) ~ 0.42A(@60Vdc) , HV : 0.5A(@50Vdc) ~ 0.125A(@200Vdc)
Output Power	25W (Constant Power)
Battery	LiFePO4 battery, 19.2V 3200mAH
Recharge Time	24 Hours
Emergency Operation	90 Minutes
Ambient Operating Temperature Range	5°C to 50°C, Damp Locations
EMI	FCC Part 15,class B
Surge Protection	IEEE C62.41 Location Category B, Ring wave 4KV
Function	MT/ST(Self Test)&SD(Self Diagnostic) switch changeable
Approvals / Class	UL 924 Listed for field installation, CEC(California Energy Commission)

MECHANICAL DRAWING 17.7" x 2.26" x 1.43"



Project Name:	
Type:	

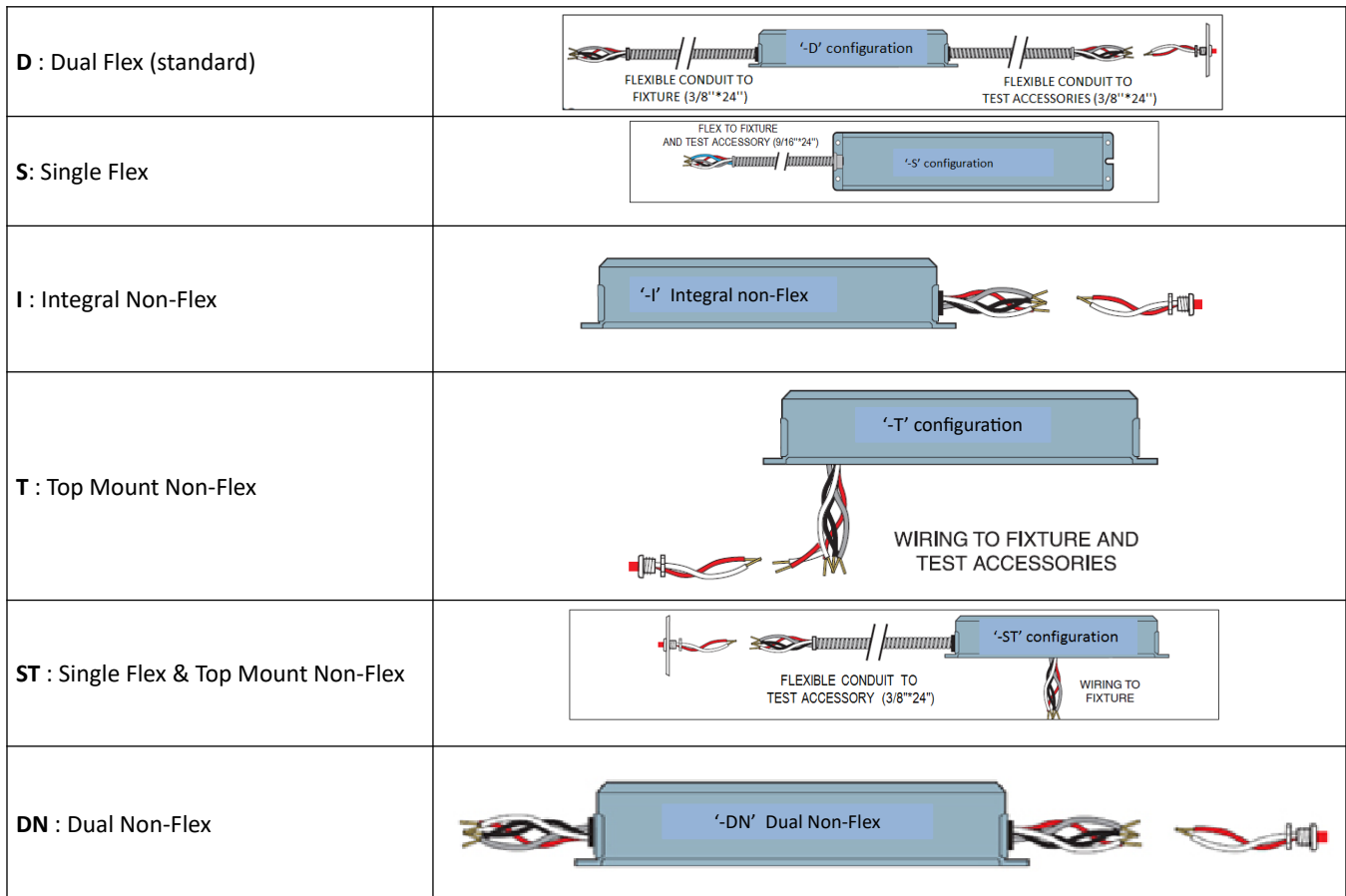
ELD-CP25

Constant Power Emergency
LED Driver

ORDER INFORMATION: EXAMPLE: ELD-CP07-LV-ST-BLANK

ELD		-		-		-		-	
MODEL		OUTPUT POWER		OUTPUT VOLTAGE		MOUNTING CONFIGURATION		HOUSING TYPE	
ELD	Emergency LED Driver	CP07	Constant Power 7W	LV	Low Voltage output (10~60V) (CP25:20~60V)	D	Dual Flex (standard)	BLANK	Compact type
		CP12	Constant Power 12W	HV	High Voltage output (50~200V)	S	Single Flex		
		CP25	Constant Power 25W			I	Integral Non-Flex		
						T	Top Mount Non-Flex		
						ST	Single Flex & Top Mount Non-Flex		
						DN	Dual Non-Flex		

ELD		-		-		-		-	
MODEL		OUTPUT POWER		OUTPUT VOLTAGE		MOUNTING CONFIGURATION		HOUSING TYPE	
ELD	Emergency LED Driver	CP07	Constant Power 7W	LV	Low Voltage output (10~60V) (CP25:20~60V)	S	Single Flex	L	Linear type
				HV	High Voltage output (50~200V)	I	Integral Non-Flex		



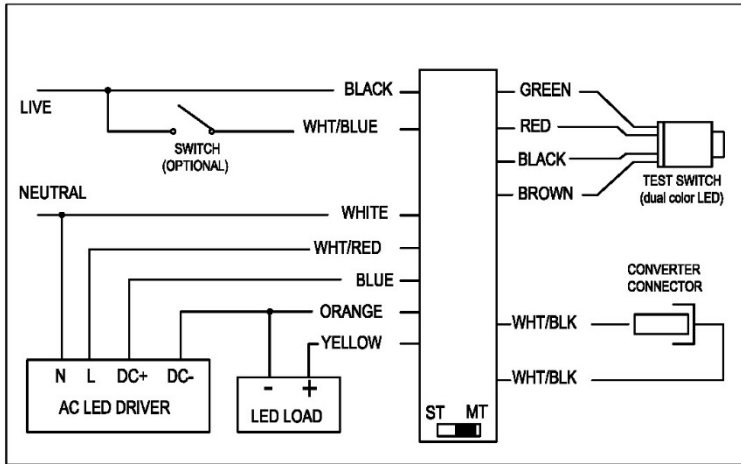
Project Name:	
Type:	

ELD-CP25

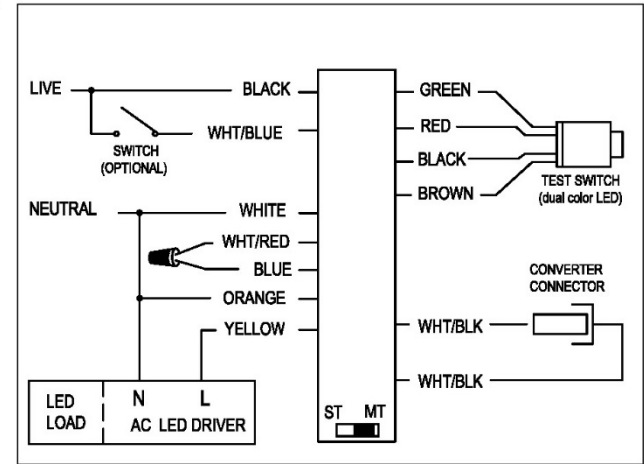
Constant Power Emergency LED Driver

WIRING DIAGRAM

Suit for ELD-CP...LV/HV



Suit for ELD-CP...HV



LV version only suit for parted AC driver and LED module wiring diagram.

TYPICAL SCHEMATICES ONLY. MAY BE USED WITH OTHER DRIVERS, CONSULT THE FACTORY FOR OTHER WIRING DIAGRAMS.

WIRING DIAGRAM

MODEL	Approx. Luminaire Efficacy	EMERGENCY OPERATION		
		Minute 1	Minute 45	Minute 90
ELD-CP07	100 lm/W	700 lm	700 lm	700 lm
	110 lm/W	770 lm	770 lm	770 lm
	120 lm/W	840 lm	840 lm	840 lm
	130 lm/W	910 lm	910 lm	910 lm
ELD-CP12	100 lm/W	1,200 lm	1,200 lm	1,200 lm
	110 lm/W	1,320 lm	1,320 lm	1,320 lm
	120 lm/W	1,440 lm	1,440 lm	1,440 lm
	130 lm/W	1,560 lm	1,560 lm	1,560 lm
ELD-CP25	100 lm/W	2,500 lm	2,500 lm	2,500 lm
	110 lm/W	2,750 lm	2,750 lm	2,750 lm
	120 lm/W	3,000 lm	3,000 lm	3,000 lm
	130 lm/W	3,250 lm	3,250 lm	3,250 lm