

FEATURES:

- Universal AC input /Full range (up to 264 VAC)
- Constant Voltage design
- Class 2 Power Supply Unit
- Fully isolated plastic case
- Protections: Short Circuit/ Over Temperature
- 2 Years Warranty

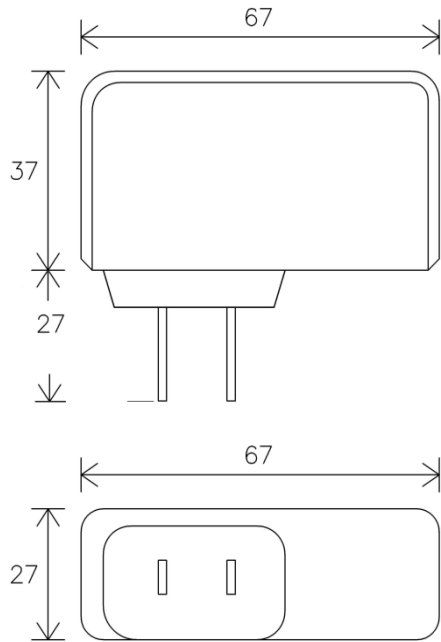


SPECIFICATION:

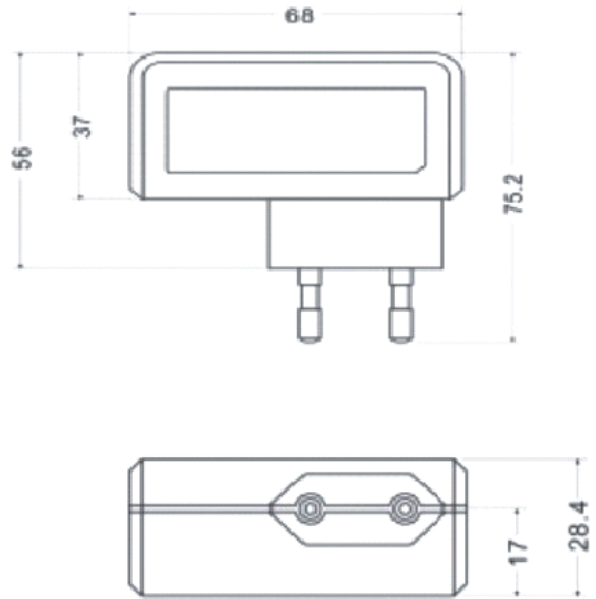
Model No.	LD-PI2512AF	LD-PI5012AF	LD-PI8312AF	LD-PI1224AF	LD-PI2524AF	LD-PI4124AF	
INPUT	Voltage & Frequency Range						100 – 240VAC; 50Hz / 60Hz
	AC Current (Max)						0.19A at 155VAC/ 0.12A at 230VAC
	Power Factor						> 0.56 at 115Vac/ > 0.4 at 230Vac with full load
	Inrush Current (Max.)	20A at 240Vac	22A at 240Vac	27A at 240Vac	21A at 240Vac	25A at 24Vac	19A at 240Vac
	Leakage Current						< 1mA/ 240Vac
	DC Voltage Range	12 ± 1V	12 ± 1V	12 ± 1V	12 ± 1V	24 ± 1.2V	24 ± 1.2V
	Constant Current Range	250mA max	500mA max	830mA max	120mA max	250mA max	410mA max
	Rated Mac. Power	3W	6W	10W	3W	6W	10W
	Ripple & Noise (Max.) note.2	3.6Vp-p	4.0Vp-p	3.6Vp-p	3.6Vp-p	3.6Vp-p	4.8Vp-p
	Efficiency note.1	69%	65%	70%	70%	77%	78%
Protections	Short Circuit						Hiccup mode, recovers automatically after fault condition is removed
Environment	Working Temp.						-10? ~ 40? ambient operating at full load
	Working Humidity						20% ~ 90% RH non-condensing
	Storage Temp., Humidity						-20% ~ + 80? , 10% ~ 90%RH
Safety & EMC	Safety Standards						Meet EN61347-1, EN61348-2-13, UL1310
	EMC Standards note.3						Meet EN55015,FCC PART15B, EN61000-4-2, 3, 4, 5, 6, 8, 11, EN61547
	Withstand Voltage						I/P – O/P: 3.75KVAC
	Isolation Resistance						I/P-O/P: 100M ohms/ 500VDC at 25?
Connection	Input						Wall mounted Plug-in for USA or EURO option
	Output						UL rated, 20 AWGx 2C (200cm) with DC Jack 5.5 x 2.1mm
Others	MTBF						100K hours min. @Ta=25?
	Dimension (L x W x H)						67 x 27 x 64 x (37)mm for USA; 68 x 28.4 x 75.2 (37)mm for Euro
	Packing (L x W x H)/ Carton						520 x 420 x 220mm; 100pcs / 15.5Kg
Note	1. All parameters NOT specially mentioned are measured at 230V AC input, rated load and 25? ambient temperature.						
	2. Ripple & Noise are measured at 20MHZ band with oscilloscope and with 0.1uf & 47uf parallel capacitor.						
	3. The power supply is considered a component which will be installed a final equipment. The final equipment must be re -confirmed that it still meets.						

MECHANICAL DRAWING:

USA PLUG

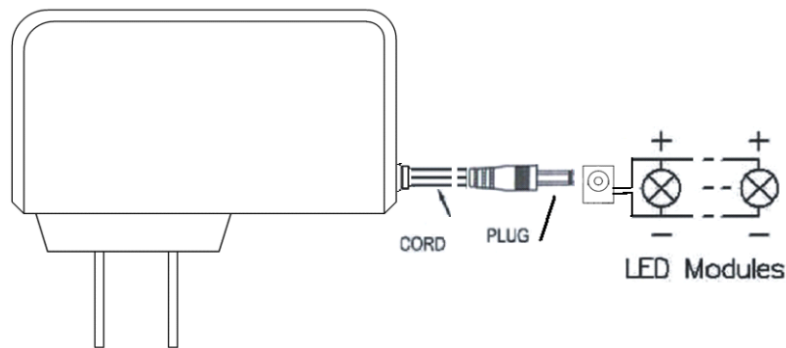


Euro PLUG



WIRING DIAGRAM:

USA PLUG:



Euro PLUG:

