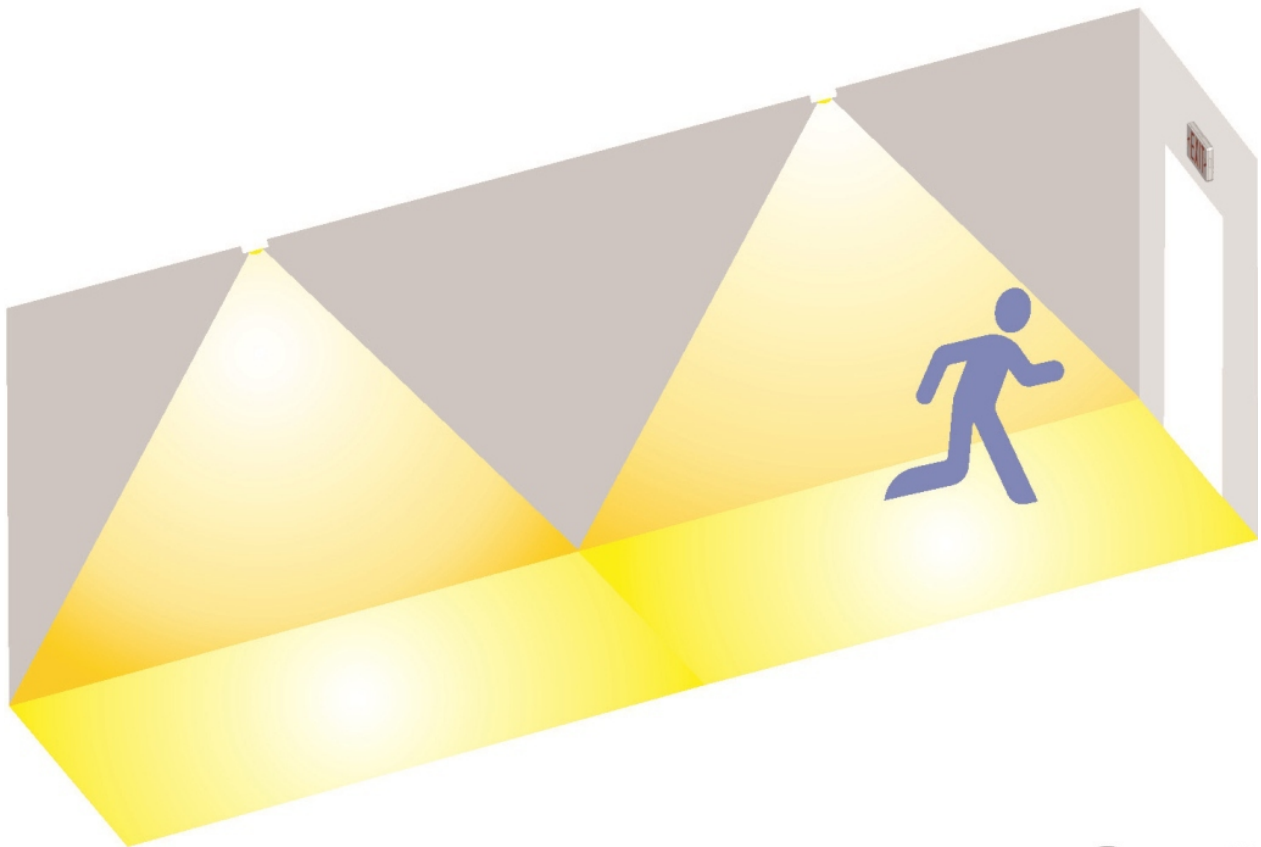


# SPECIFICATION

Compact EXIT sign

## S1 SERIES



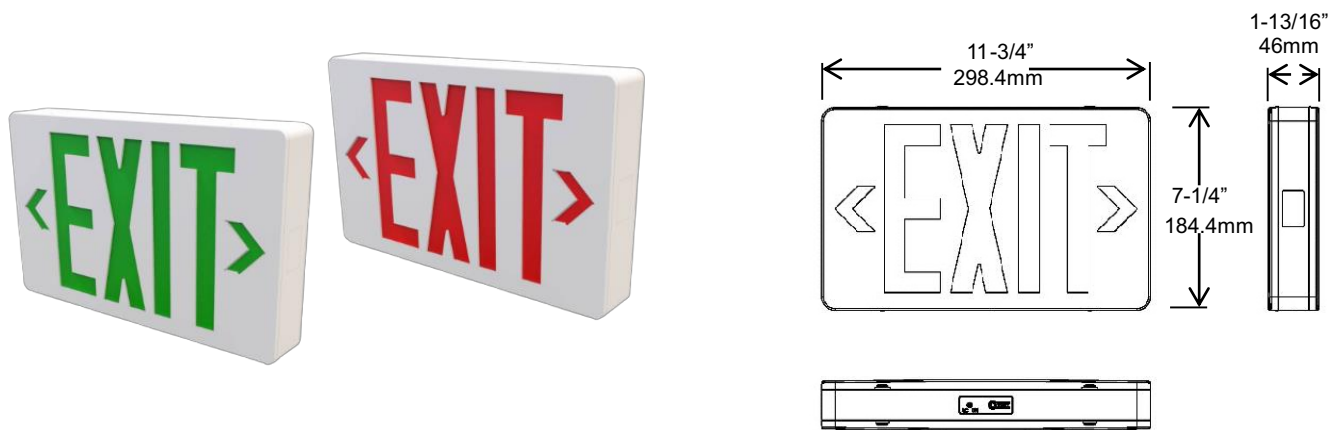
## Table Of Content

Revision History -----	1
Product Photo and Dimension-----	2
Product Feature -----	2
Order Guide-----	2
Model List and Parameter -----	3, 4
Circuit Feature-----	5
Package-----	5

## Revision History

Revised Symbol	Revised Description	Version	Revised By	Revised Date

## Product Photo and Dimension



## Product Feature

### Housing

- Injection-molded thermoplastic housing.
- Plastic enclosure with flame retardant.
- Compact and decorative design.
- EXIT letter 6" height and 3/4" stroke, snap in and snap out direction indicator.

### Mounting

- Suitable for wall mount, ceiling mount and end mounting.
- Universal J-Box mounting pattern on back plate.

### Electrical

- 120/277VAC 60Hz dual voltage input optional.
- Brownout circuit protection for ST/SD fixture.
- Battery low voltage protection.
- Solid-State transfer circuit.
- Test switch and battery charging indicator.
- Maintenance free Ni-cad battery.
- 24hours recharge, more than 90minutes discharge.

### Options

- Basic model with manual test switch and indicator.
- Self-testing and self-diagnostics optional.
- Red and green color exit sign optional.
- LynxEM™ wireless testing and reporting system available.

### Illumination

- Long life red or green LED lamps provide uniform diffuser illumination.

### Code compliance

- UL listed and meets or exceed all requirement in NFPA 70, NFPA 101 life safety code, suitable for U.S.A market.
- Suitable for 10°C-40°C ambient temperature, suitable for damp location.
- Compliant CEC title 20 efficiency regulations.

## Order Guide

Family	Legend	Test facility	Housing color	Input Voltage
<b>S1</b> series	-R: Red color -G: Green color	Blank: Manual test -CT: Self-testing/self-diagnostics -ZD: Wireless Reporting LynxEM™ Control	-W: White -B: Black	<b>1:</b> 120/277VAC

## Model List and Electrical Rating – S1 (exit sign)

No.	Model	Letter Color	Test facility	Battery	Recharge Time	Emergency Duration	Input				Output		
							Input Voltage Frequency	Input Current	Power factor	Power Consumption	Lamp Head	Luminous Flux(initial)	Remote capability
1	S1-R	Red	MT	Ni-cad 2.4V300mAh	24 hours	>90 minutes	120/277V 60Hz	30mA Max.	0.6	2.3W Max.	/	/	/
2	S1-R-CT	Red	ST/SD	Ni-cad 3.6V300mAh	24 hours	>90 minutes	120/277V 60Hz	30mA Max.	0.75	2.5W Max.	/	/	/
3	S1-G	Green	MT	Ni-cad 3.6V300mAh	24 hours	>90 minutes	120/277V 60Hz	30mA Max.	0.7	2.3W Max.	/	/	/
4	S1-G-CT	Green	ST/SD	Ni-cad 3.6V300mAh	24 hours	>90 minutes	120/277V 60Hz	30mA Max.	0.75	2.5W Max.	/	/	/

**NOTES:**

**MT means fixture just has manual test facility.**

**ST/SD means fixture has self-test and self-diagnostic function, also including manual test facility.**

## Model List and Electrical Rating – S1 (exit sign)

No.	Model	Letter Color	Test facility	Battery	Recharge Time	Emergency Duration	Input				Output		
							Input Voltage Frequency	Input Current	Power factor	Power Consumption	Lamp Head	Luminous Flux(initial)	Remote capability
5	S1-R-ZD	Red	MT-ZD	Ni-cad 2.4V300mAh	24 hours	>90 minutes	120/277V 60Hz	30mA Max.	0.6	2.3W Max.	/	/	/
6	S1-R-CT-ZD	Red	ST/SD-ZD	Ni-cad 3.6V300mAh	24 hours	>90 minutes	120/277V 60Hz	30mA Max.	0.75	2.5W Max.	/	/	/

**NOTES:**

MT means fixture just has manual test facility.

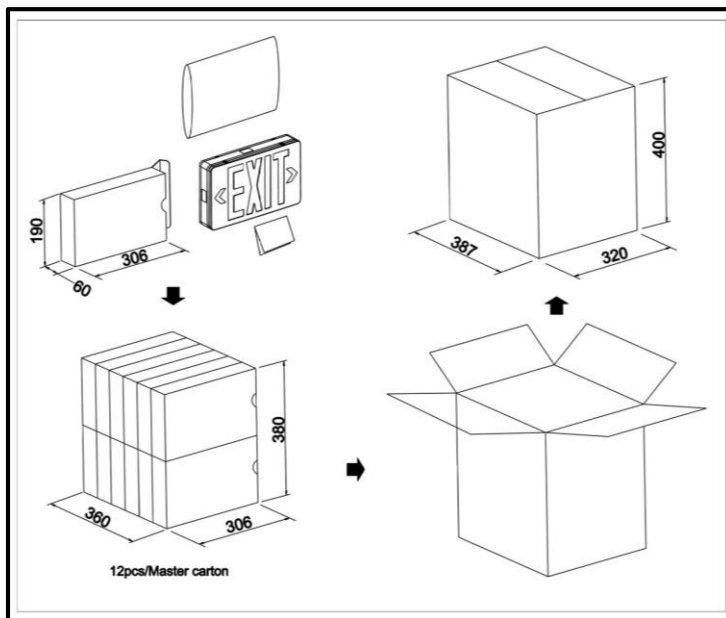
ST/SD means fixture has self-test and self-diagnostic function, also including manual test facility.

ZD means fixtures has wireless function, also including manual test facility.

## Circuit Feature

Model	S1	S1-CT
Brownout transfer	n/a	√
Battery low voltage disconnect	√	√
Overload disconnect	n/a	√
Short circuit load disconnect	n/a	√
Solid-State transfer	√	√

## Package



Model : S1  
 Q'TY : 12pcs  
 N.W : 12.1kgs  
 G.W : 14.1 kgs  
 MEA'S : 1.8cuft