

LD024D Series

High Power Constant Current LED Driver	
Total Power	24 Watts max.
Input Voltages	110VAC or 230VAC
Number of Outputs	One

Product Specifications

ANZ#: Z165e, December 20, 2010

SPECIAL FEATURES

- Compact size maximizes design flexibility.
- 85 (H) x 54 (W) x 32.5 (H) mm
- Fully potted, suitable for dry and damp location applications
- Phase dimmable, compatible with Standard Triac and Electronics Low Voltage Dimmers
- UL1310 Class 2 (110V) and CE (230V) compliant
- Wide selection of pre-adjusted C/C outputs

ENVIRONMENTAL

Operating temperature:	-20 to +60 °C
Storage temperature:	-40 to +85 °C
Humidity (Non-Condensing):	5% to 95%
Cooling:	Convection
Vibration Frequency:	5 to 50 Hz
MTBF:	>100,000 Hours at full load and 25°C ambient conditions (MIL-217F)



Picture shown above is not to scale

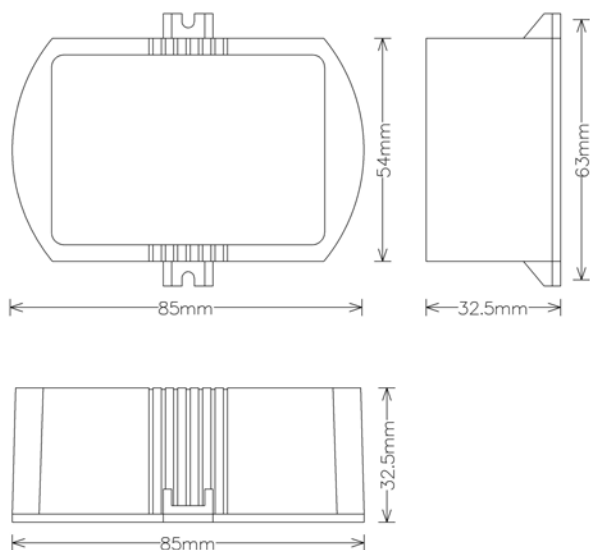
SPECIFICATIONS :

Input Range : 110VAC or 220VAC / 0.3~0.15A /47~63Hz	Power Factor: > 0.92 at full load, 115VAC or 230VAC
DC Output Range : Refer to Model selection table	Operation Temp. : -20°C ~ +60°C , Tc : 85 °C
Efficiency : 82% Typical	Storage Temp. : -40°C ~ +85°C
Output Current Regulation : ±5%	MTBF(@25°C) : >100,000 Hours, MIL-217F
Protection : OCP, SCP, OVP – Auto Recovery	Regulation Compliance: UL1310 or EN61347, EN55015, EN61547
Dimming : Phase dimmer, leading or trailing edge	Dimension: 85 (H) x 54 (W) x 32.5 (H) mm

MODEL SELECTION : (110VAC only)

Model Number (110VAC)	DC Output (Vf)	Max. Output (mA/Watts)	Model Number (230VAC)	DC Output (Vf)	Max. Output (mA/Watts)
LD024D-CA12020-15	10 ~ 20 VDC	1200 / 24.0	LD024D-CE12020-15	10 ~ 20 VDC	1200 / 24.0
LD024D-CA10024-15	10 ~ 24 VDC	1000 / 24.0	LD024D-CE10024-15	10 ~ 24 VDC	1000 / 24.0
LD024D-CA07036-15	18 ~ 36 VDC	700 / 24.0	LD024D-CE07036-15	18 ~ 36 VDC	700 / 24.0
LD024D-CA05048-15	24 ~ 48 VDC	500 / 24.0	LD024D-CE05048-15	24 ~ 48 VDC	500 / 24.0

MECHANICAL



MODEL SELECTION : LDeed-Caxxyy-dd

LD = LED Driver
 eee = 024 Series
 D = Phase dimmable
 C = Constant Current Output
 a = A: 110VAC or E: 220VAC
 xxx = Output Current x 10
 yy = Output Voltage (VDC)
 dd = Case style