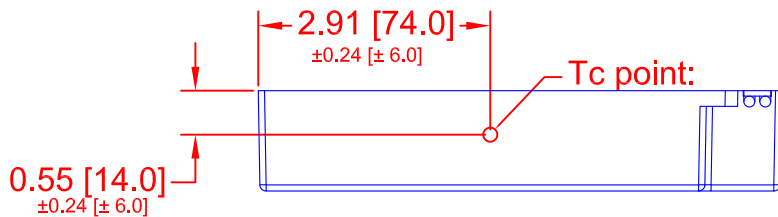


REVISIONS		
REV	DESCRIPTION	DATE
00	RELEASE	12/04/2020

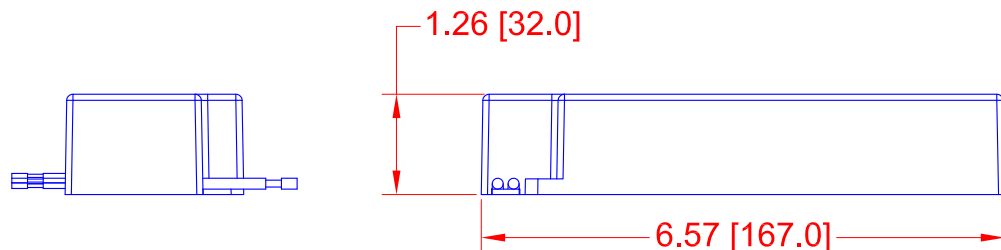
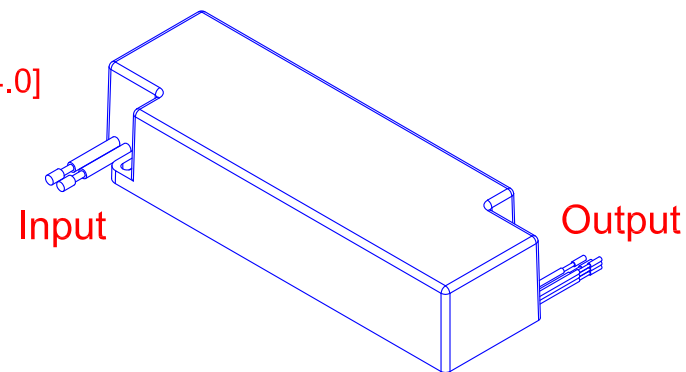
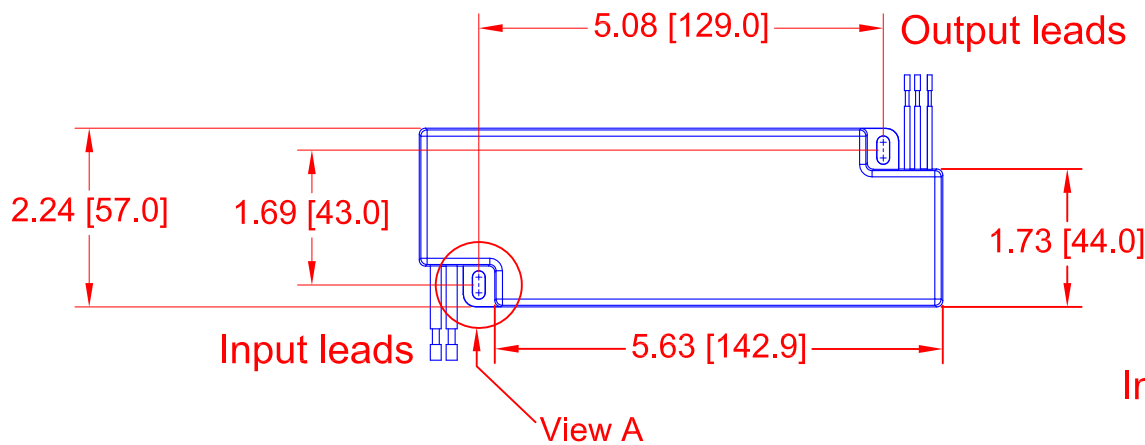
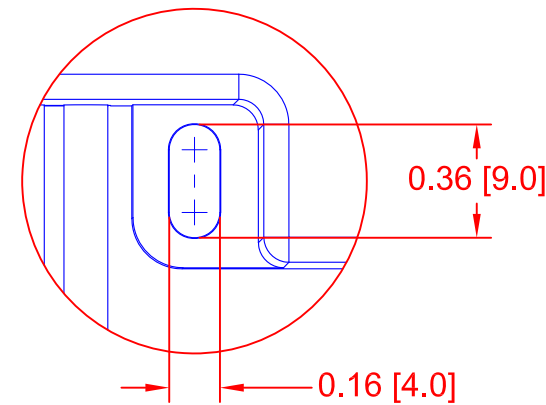


Tc=90°C

LF1075



View A (4X)



MANUFACTURED BY:

THIS ITEM IS THE PROPERTY OF MAGTECH INDUSTRIES AND CONTAINS PROPRIETARY CONFIDENTIAL AND TRADE SECRET INFORMATION. THE INFORMATION CONTAINED HEREIN MUST NOT BE USED, DISCLOSED OR REPRODUCED IN WHOLE OR IN PART WITHOUT PRIOR WRITTEN CONSENT FROM MAGTECH IND.

UNLESS OTHERWISE SPECIFIED
 DIMENSIONS IN INCHES (MM)
 TOLERANCES:
 .X DECIMALS ± .05 (1.3)
 .XX DECIMALS ± .02 (0.5)
 .XXX DECIMALS ± .005 (0.13)
 ANGLES ± 1°
 FRACTIONS ± 1/16

QC:		
TITLE:		
DRAWING, Tc POINT LF1075		
DO NOT SCALE THIS DRAWING	APPROVAL DATE: 12/04/2020	MODEL NO. LF1075
INTERPRET DRAWING PER ANSI Y14.5M	EFFECTIVE DATE: 12/04/2020	DWG NO. P07-0230
	REV. 00	SH OF 1 1