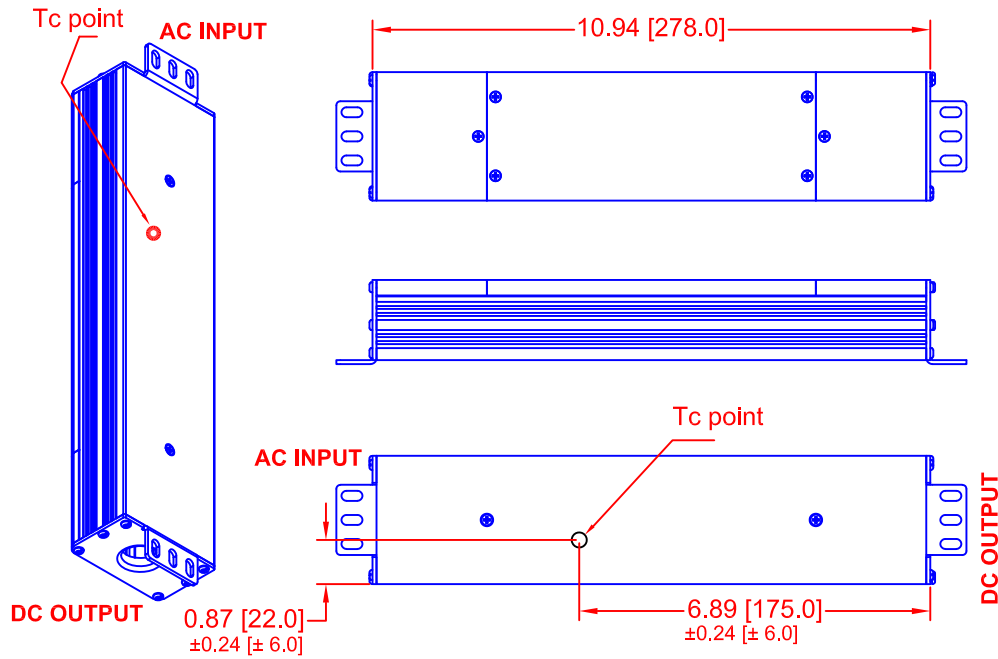
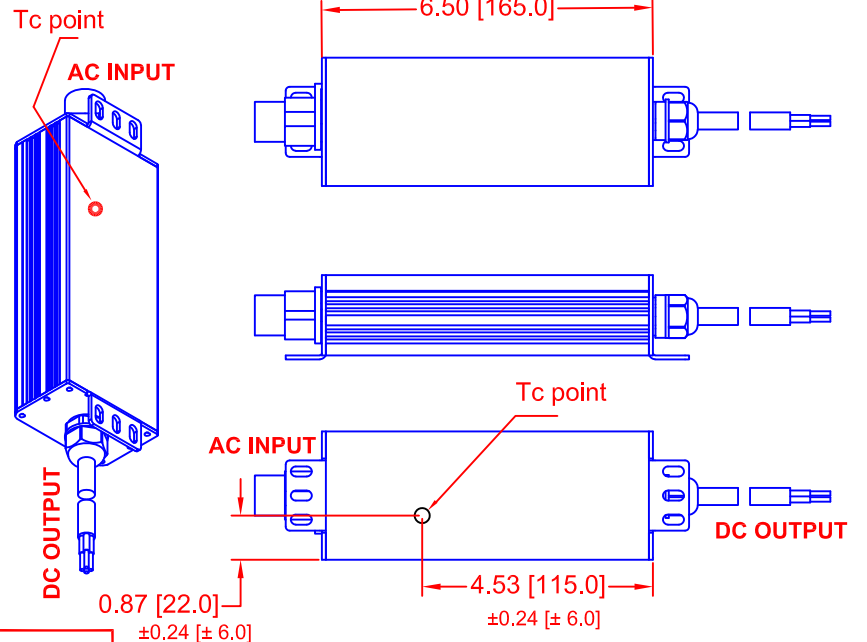


### Q2-Uxx-yyyy-LP

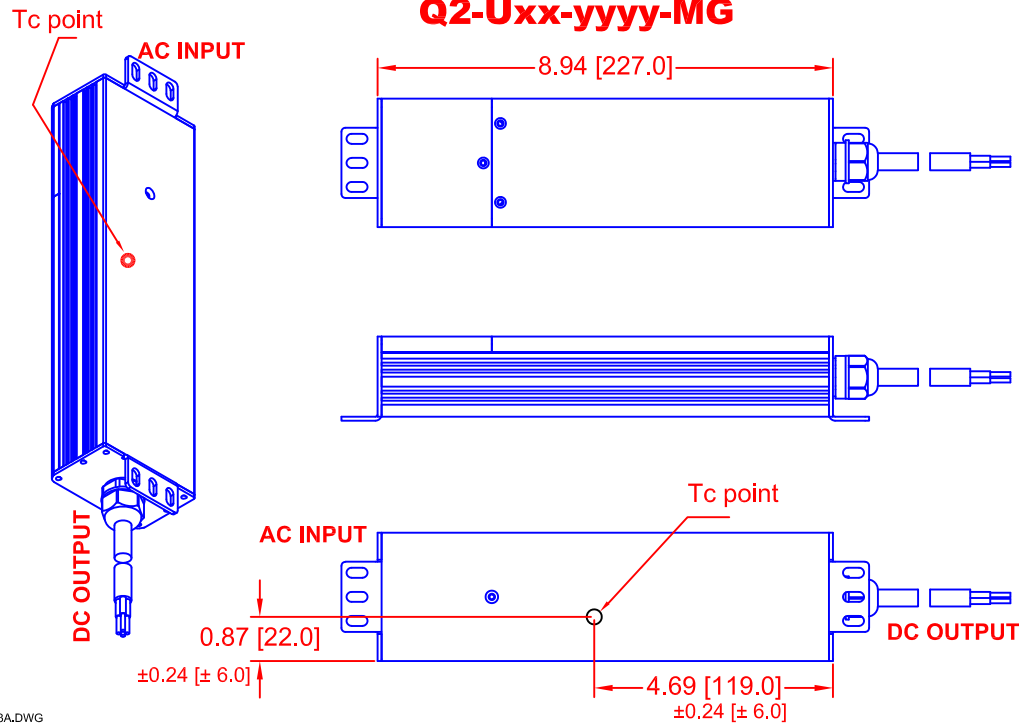


### Q2-Uxx-yyyy-SG

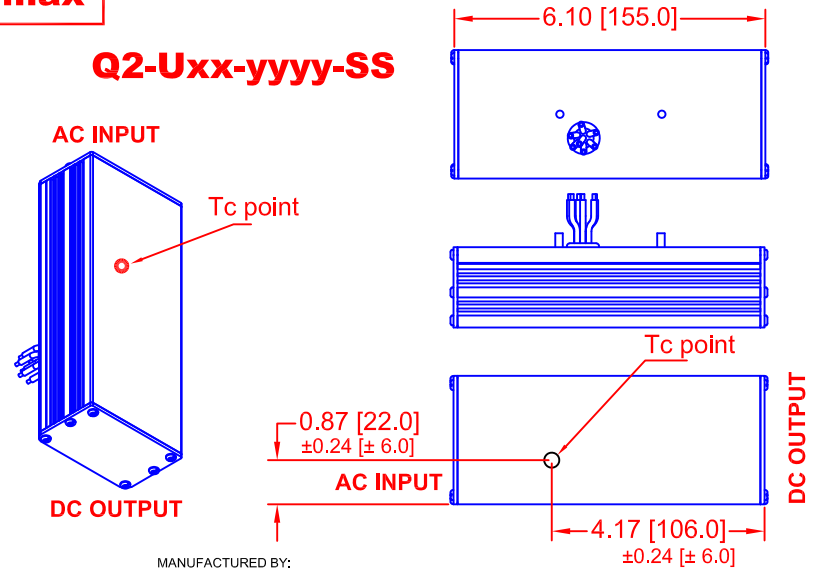


**Tc=90°C max**

### Q2-Uxx-yyyy-MG



### Q2-Uxx-yyyy-SS



MANUFACTURED BY:

THIS ITEM IS THE PROPERTY OF MAGTECH INDUSTRIES AND CONTAINS PROPRIETARY CONFIDENTIAL AND TRADE SECRET INFORMATION. THE INFORMATION CONTAINED HEREIN MUST NOT BE USED, DISCLOSED OR REPRODUCED IN WHOLE OR IN PART WITHOUT PRIOR WRITTEN CONSENT FROM MAGTECH INC.

QC:

UNLESS OTHERWISE SPECIFIED  
DIMENSIONS IN INCHES (MM)  
TOLERANCES:  
.X DECIMALS ± .05 (1.3)  
.XX DECIMALS ± .02 (0.5)  
.XXX DECIMALS ± .005 (0.13)  
ANGLES ± 1°  
FRACTIONS ± 1/16



TITLE: DRAWING, Tc POINT Q2 SERIES

DO NOT SCALE THIS DRAWING	APPROVAL DATE: 03/19/2018	MODEL NO.	DWG NO.	REV. A0	SH OF
INTERPRET DRAWING PER ANS I Y14.5M	EFFECTIVE DATE: 03/14/2018	Q2 SERIES	P07-0223		1 1