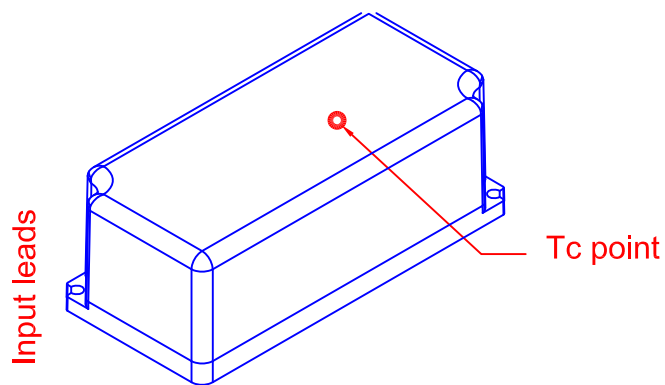
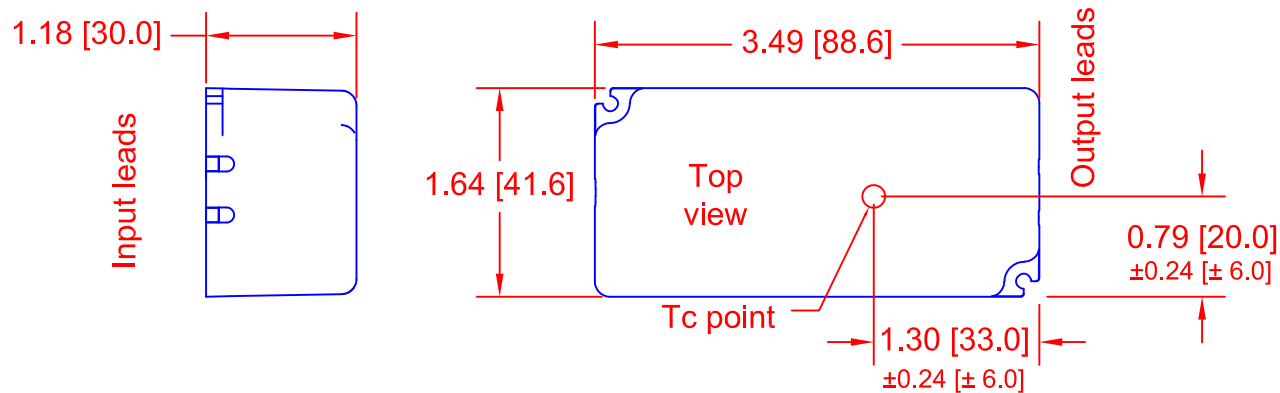


REVISIONS		
REV	DESCRIPTION	DATE
B0	MD42-Uxx-yyyy-XM has been removed	11/09/2020

MD42-Uxx-yyyy-XP

**Tc max
90°C**



MANUFACTURED BY:

THIS ITEM IS THE PROPERTY OF MAGTECH INDUSTRIES AND CONTAINS PROPRIETARY CONFIDENTIAL AND TRADE SECRET INFORMATION. THE INFORMATION CONTAINED HEREIN MUST NOT BE USED, DISCLOSED OR REPRODUCED IN WHOLE OR IN PART WITHOUT PRIOR WRITTEN CONSENT FROM MAGTECH INC.

UNLESS OTHERWISE SPECIFIED

QC:

DIMENSIONS IN INCHES (MM)

TOLERANCES:

.X DECIMALS ± .05 (1.3)

.XX DECIMALS ± .02 (0.5)

.XXX DECIMALS ± .005 (0.13)

ANGLES ± 1°

FRACTIONS ± 1/16

DO NOT SCALE THIS DRAWING

INTERPRET DRAWING PER ANSI Y14.5M



TITLE: DRAWING, Tc POINT MD42 SERIES

APPROVAL DATE: 5/3/2018	MODEL NO. MD42 SERIES	DWG NO. P07-0216	REV. B0	SH OF 1 1
EFFECTIVE DATE: 09/14/2016				