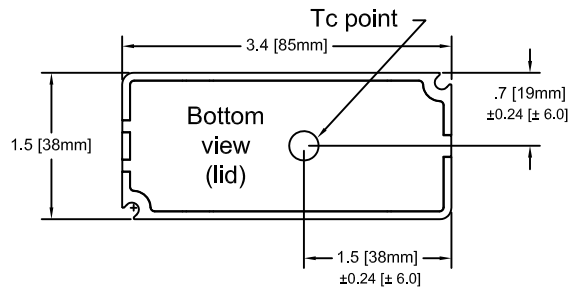
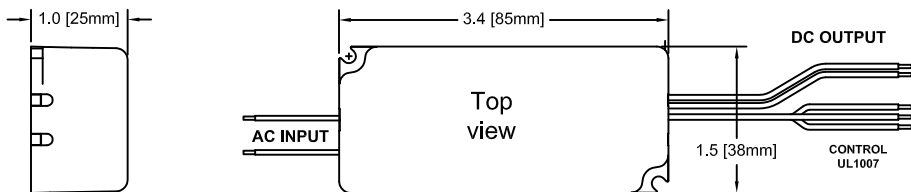


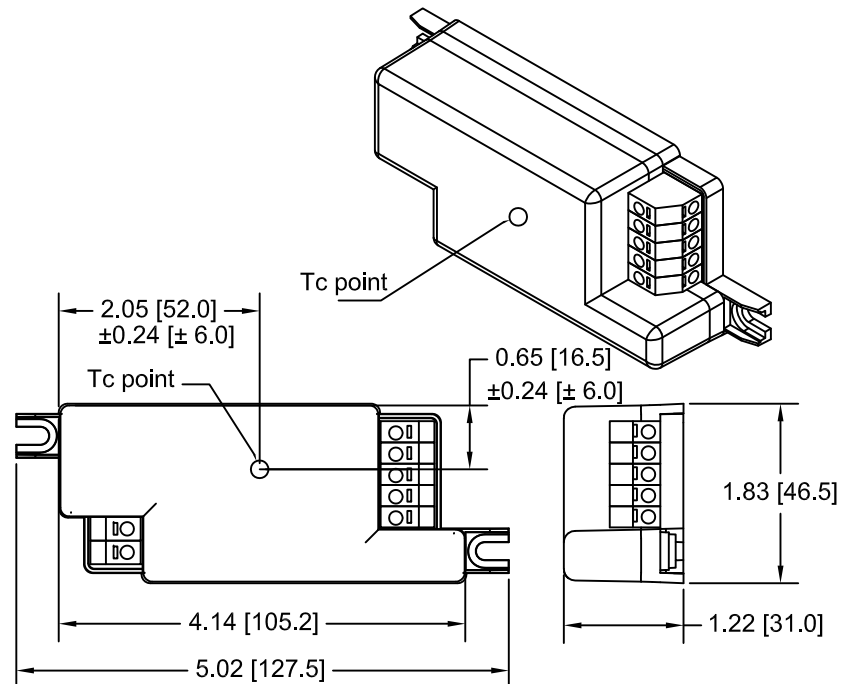
REVISIONS		
REV	DESCRIPTION	DATE
A0	RELEASE	12/25/2014

Q12-Uxx-Cyyyy-XP

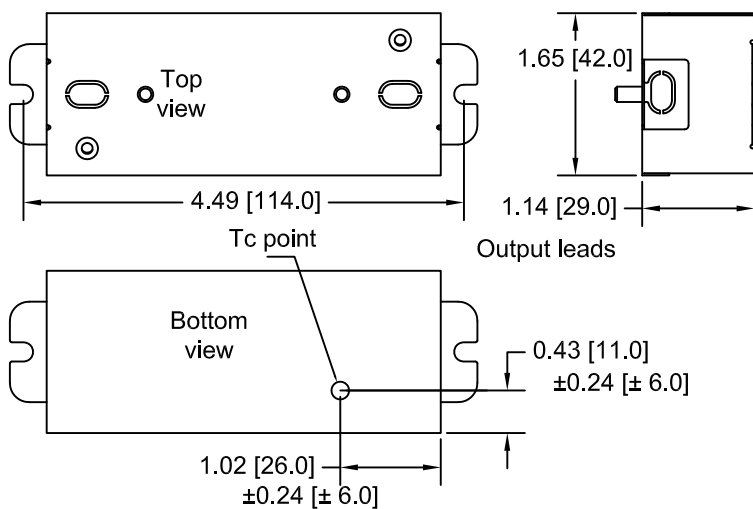


**Tc max
85°C**

Q12-Uxx-Cyyyy-XT



Q12-Uxx-Cyyyy-XM



MANUFACTURED BY:

THIS ITEM IS THE PROPERTY OF MAGTECH INDUSTRIES AND CONTAINS PROPRIETARY CONFIDENTIAL AND TRADE SECRET INFORMATION. THE INFORMATION CONTAINED HEREIN MUST NOT BE USED, DISCLOSED OR REPRODUCED IN WHOLE OR IN PART WITHOUT PRIOR WRITTEN CONSENT FROM MAGTECH IND.

UNLESS OTHERWISE SPECIFIED	QC:	
DIMENSIONS IN INCHES (MM)		
TOLERANCES:		TITLE: DRAWING, Tc POINT Q12-CC SERIES
.X DECIMALS: .05 (1.3)		
.XX DECIMALS: .02 (0.5)		
.XXX DECIMALS: .005 (0.13)		
ANGLES: 1°		
FRACTIONS: 1/16		
DO NOT SCALE THIS DRAWING	APPROVAL DATE: 12/25/2014	MODEL NO. Q12-CC
INTERPRET DRAWING PER ANSI Y14.5M	EFFECTIVE DATE: 12/25/2014	DWG NO. P07-0203
		REV. A0 SH OF 1 1