

The ZBA-PM01 Product Review

The ZBA-PM01 is capable of monitoring and measure energy consumed by the end node devices it controlled. This highly innovated and multi-function wireless adaptor is designed to work flawlessly within any Zigbee H.A 1.2 communication systems. The ZBA-PM01 can be used in one to one or one to multiple luminaire environment.

The ZBA-PM01 not only provides wireless control to the luminaire. It also controls On/Off and versatile digital / analog dimming controls. The wide range AC input from 110Vac to 277Vac solved the problem during field installations. Its compact form-factor gives fixture manufacturer easier way to adopt during their designing stage. The isolated 24VDC output provides source voltages for low voltage occupancy and/or photo sensors without additional power supplies.

ZBA-PM01

Zigbee Adaptor



Indicator and Output Functions

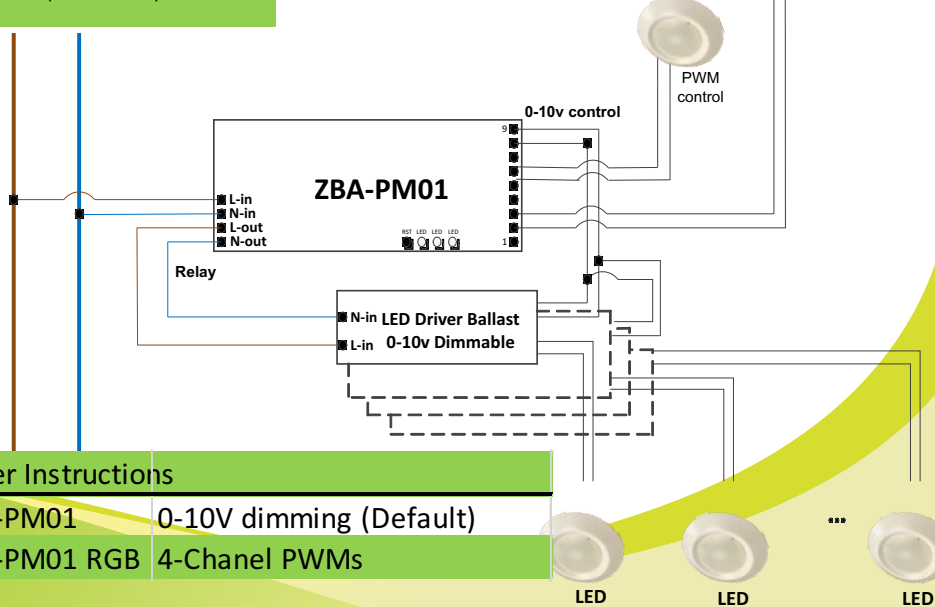
LED Indicators	Red (Power On) Green Flash (Not Commissioned) Green Solid (Commissioned)
RST	Reset Button
Ext. Antenna	External Antenna Connector
SW 1	Non functional: default as 0-10V dimming On: RGBW 4-channel PWMs Control Off: Warm/Cool 2-channel PWMs Control
SW 2	On: Sensor Connection Enable Off: Sensor Connection Disable
SW 3	On: Ext. Antenna Enable Off: Ext. Antenna Disable

Specifications

Compatibility	Zigbee H.A 1.2
Input	110-277VAC/50-60Hz
Output via Isolated reply	110-277VAC/50-60Hz 10 Amps Max.
Power Measurement	2% accuracy 0.03 ~ 10 Amps
Low Voltage Output	12 or 24VDC ; 50mA
Sensor Support	Occupancy Sensor
Operating Environment	-20 to +65°C
Radio Properties	2.4GHz +19.5dBm Transmit Power
Antenna	Built-in
External Antenna	Optional with connector
Dimming Control	0-10VDC RGBW 4-Channel PWMs Color temp 2-channel PWM
Dimensions	102x41x24mm (LxWxH)
Compliance	UL-Pending/FCC-Certified
Warranty	5 year

Stand-alone Solution:
1. Self-Powered Zigbee Adaptor (AC Powered)

PWM Dimmable LED
SENSOR



Order Instructions

ZBA-PM01	0-10V dimming (Default)
ZBA-PM01 RGB	4-Chanel PWMs

