

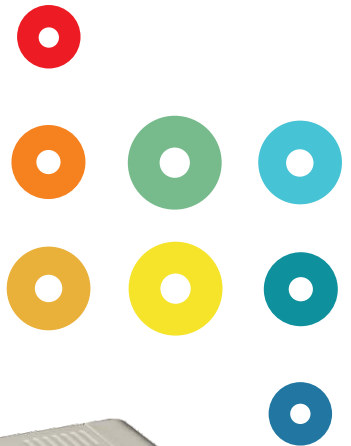
ZBA-E001

Zigbee Adaptor

The ZBA-E001 Product Review

This innovated and multi-function wireless fixture adaptor is designed to work flawlessly within any Zigbee H.A 1.2 communication systems. The ZBA-E001 can be used with one to one or one to multiple luminaires environment.

The ZBA-E001 not only provides wireless control to the luminaires It also provides On/Off and versatile PWM / 0-10V analog dimming controls. The wide range AC input from 110Vac to 277Vac solved the problem during field installations. Its compact form-factor gives fixture manufacturers an easier way to adopt during their designing stage. The isolated 24VDC output provides source voltages for low voltage occupancy and/or photo sensors without additional power supplies.



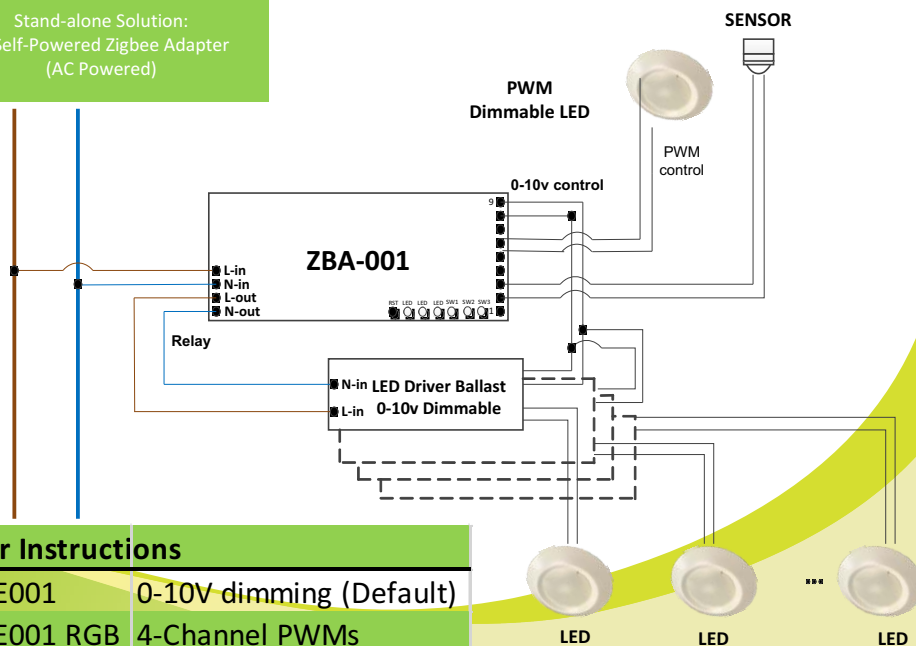
Indicator and Output Functions

| | |
|----------------|--|
| LED Indicators | Red (Power On) Green Flash (Not Commissioned) Green Solid (Commissioned) |
| RST | Reset Button |
| Ext. Antenna | External Antenna Connector |
| SW 1 | Non functional: default as 0-10V dimming On: RGBW 4-channel PWMs Control Off: Warm/Cool 2-Channel PWMs Control |
| SW 2 | On: Sensor Connection Enable Off: Sensor Connection Disable |
| SW 3 | On: Ext. Antenna Enable Off: Ext. Antenna Disable |

Specifications

| | |
|---------------------------|--|
| Compatibility | Zigbee H.A 1.2 |
| Input | 110-277VAC/50-60Hz |
| Output via Isolated relay | 110-277VAC/50-60Hz 10 Amps Max. |
| Low Voltage Output | 12 or 24VDC ; 50mA |
| Sensor support | Occupancy Sensor |
| Operating Environment | -20 to +65°C |
| Radio Properties | 2.4GHz +19.5 dBm Transmit Power |
| Antenna | Built-in and External |
| External Antenna | Optional with connector |
| Dimming Control | 0-10VDC RGBW 4-Channel PWMs Color temp 2-Channel PWM |
| Dimensions | 102x41x24mm (LxWxH) |
| Compliance | UL-Pending/FCC-Certified |
| Warranty | 5 year |

Stand-alone Solution:
1. Self-Powered Zigbee Adaptor (AC Powered)



Order Instructions

| | |
|--------------|-------------------------|
| ZBA-E001 | 0-10V dimming (Default) |
| ZBA-E001 RGB | 4-Channel PWMs |

