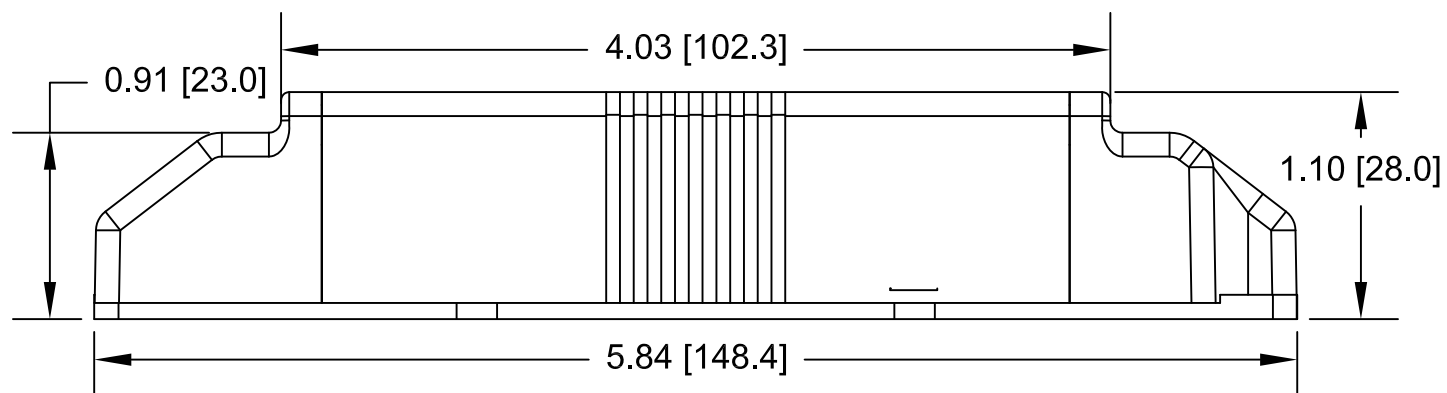
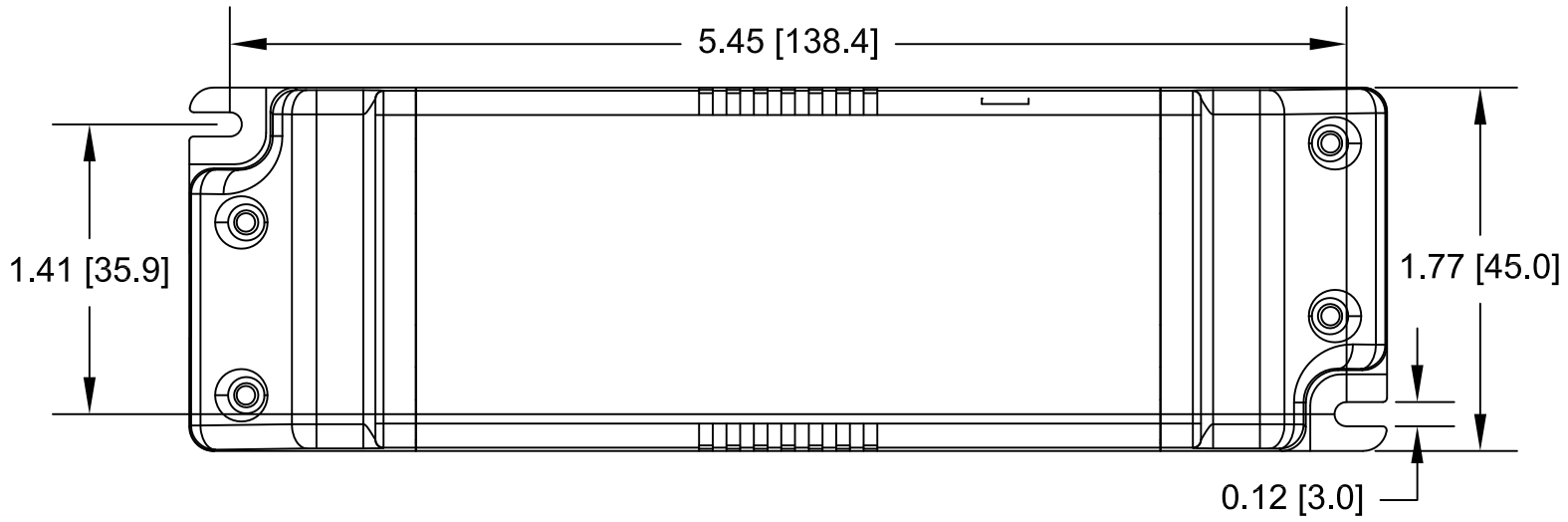



REVISIONS		
REV	DESCRIPTION	DATE
A0	RELEASE	09/22/2016



Housing:
 Polycarbonate - Chi Mei Corporation, Type PC110,
 rated V-2, 105°C, overall 148 by 45 by 28 mm,
 minimum 1.5 mm thick four pieces construction.

MANUFACTURED BY: N/A				
THIS ITEM IS THE PROPERTY OF MAGTECH INDUSTRIES AND CONTAINS PROPRIETARY CONFIDENTIAL AND TRADE SECRET INFORMATION. THE INFORMATION CONTAINED HEREIN MUST NOT BE USED, DISCLOSED OR REPRODUCED IN WHOLE OR IN PART WITHOUT PRIOR WRITTEN CONSENT FROM MAGTECH INC.				
UNLESS OTHERWISE SPECIFIED DIMENSIONS IN INCHES (MM)	QC:			
TOLERANCES: .X DECIMALS± .05 (1.3) .XX DECIMALS± .02 (0.5) .XXX DECIMALS± .005 (0.13) ANGLES± 1° FRACTIONS± 1/16				
TITLE: FORM FACTOR ENCLOSURE, PLASTIC, 45X148.4X28mm				
DO NOT SCALE THIS DRAWING INTERPRET DRAWING PER ANSI Y14.5M	APPROVAL DATE: EFFECTIVE DATE: 09/22/2016	MODEL NO. N/A	DWG NO. EN-MP114	REV. A0 SH OF 1 1

EN-MP114

A
B
C
D
E
F

A
B
C
D
E
F