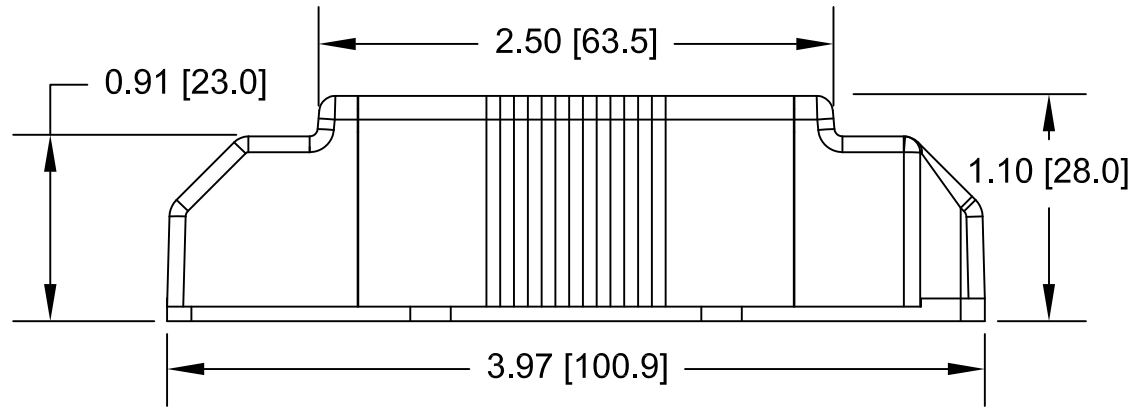
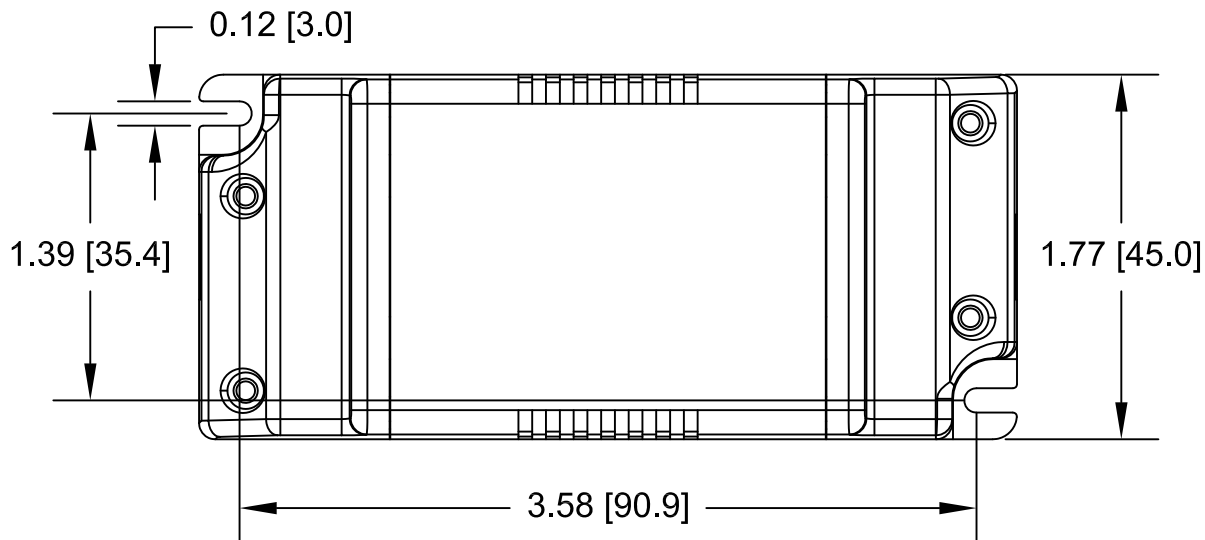


1 2 3 4 5 6 7 8 9

N/A N/A

REVISIONS		
REV	DESCRIPTION	DATE
A0	RELEASE	09/22/2016

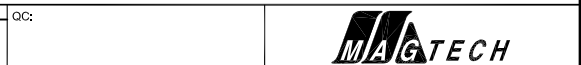


Housing:
 Polycarbonate - Chi Mei Corporation, Type PC110,
 rated V-2, 105°C, overall 101 by 45 by 28 mm,
 minimum 1.5 mm thick four pieces construction.

MANUFACTURED BY: N/A

THIS ITEM IS THE PROPERTY OF MAGTECH INDUSTRIES AND CONTAINS PROPRIETARY CONFIDENTIAL AND TRADE SECRET INFORMATION. THE INFORMATION CONTAINED HEREIN MUST NOT BE USED, DISCLOSED OR REPRODUCED IN WHOLE OR IN PART WITHOUT PRIOR WRITTEN CONSENT FROM MAGTECH INC.

UNLESS OTHERWISE SPECIFIED
 DIMENSIONS IN INCHES (MM)
 TOLERANCES:
 .X DECIMALS ± .05 (1.3)
 .XX DECIMALS ± .02 (0.5)
 .XXX DECIMALS ± .005 (0.13)
 ANGLES ± 1°
 FRACTIONS ± 1/16



T I T L E :
 FORM FACTOR ENCLOSURE, PLASTIC, 45X101X28mm

DO NOT SCALE THIS DRAWING	APPROVAL DATE:	MODEL NO.	DWG NO.	REV. A0	SH OF
INTERPRET DRAWING PER ANSIV14.5M	EFFECTIVE DATE: 09/22/2016	N/A	EN-MP115	1	1

EN-MP115

1 2 3 4 5 6 7