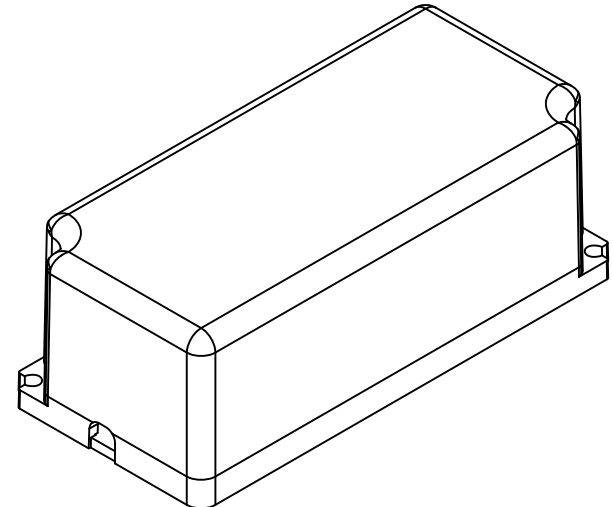
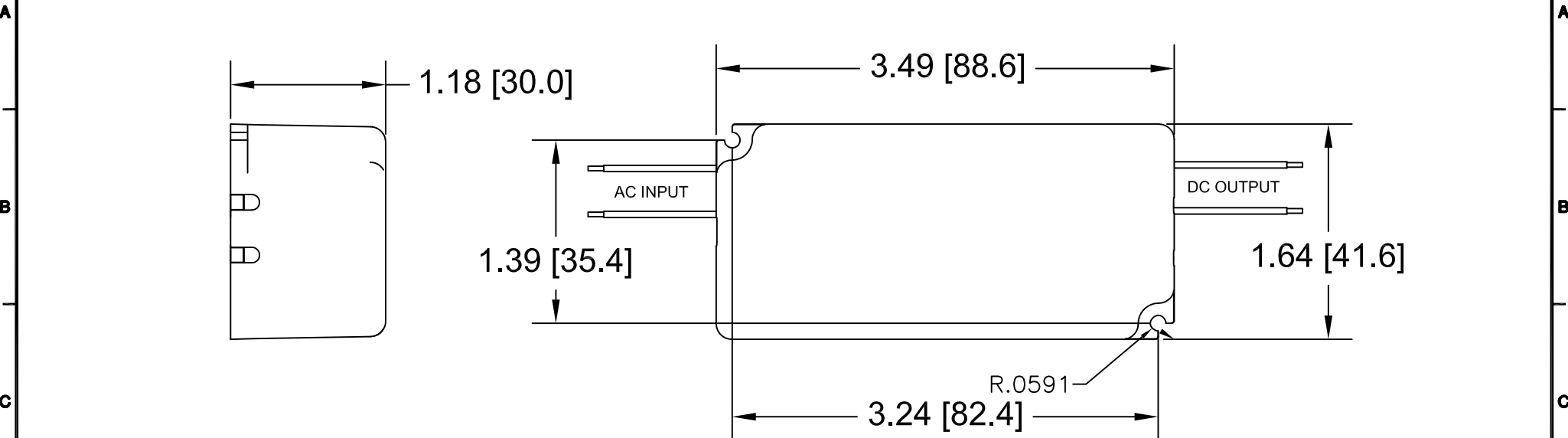


REVISIONS		
REV	DESCRIPTION	DATE
A0	RELEASE	09/16/2016



Housing:
 Sabic Innovative Plastics Japan L L C
 material designation 945(GG), rated V-0, overall 89 by 42 by
 31 mm, min. 1 mm min. thick two pieces construction.

EN-MP112

MANUFACTURED BY: N/A				
THIS ITEM IS THE PROPERTY OF MAGTECH INDUSTRIES AND CONTAINS PROPRIETARY CONFIDENTIAL AND TRADE SECRET INFORMATION. THE INFORMATION CONTAINED HEREIN MUST NOT BE USED, DISCLOSED OR REPRODUCED IN WHOLE OR IN PART WITHOUT PRIOR WRITTEN CONSENT FROM MAGTECH INC.				
UNLESS OTHERWISE SPECIFIED DIMENSIONS IN INCHES (MM) TOLERANCES: .X DECIMALS± .05 (1.3) .XX DECIMALS± .02 (0.5) .XXX DECIMALS± .005 (0.13) ANGLES± 1° FRACTIONS± 1/16	QC:			
T I T L E FORM FACTOR ENCLOSURE, PLASTIC, 41.6X88.6X30mm				
DO NOT SCALE THIS DRAWING INTERPRET DRAWING PER ANSI Y14.5M	APPROVAL DATE:	MODEL NO. N/A	DWG NO. EN-MP112	REV. A0
	EFFECTIVE DATE: 09/16/2016			SH OF 1 1