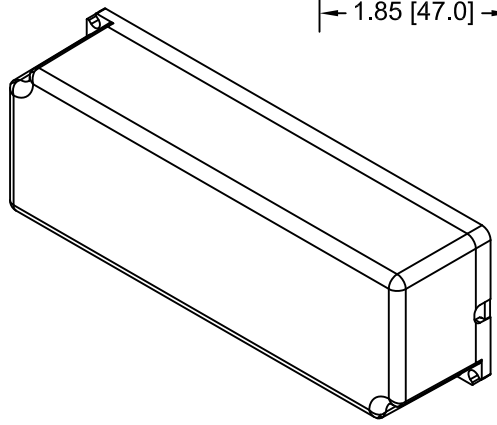
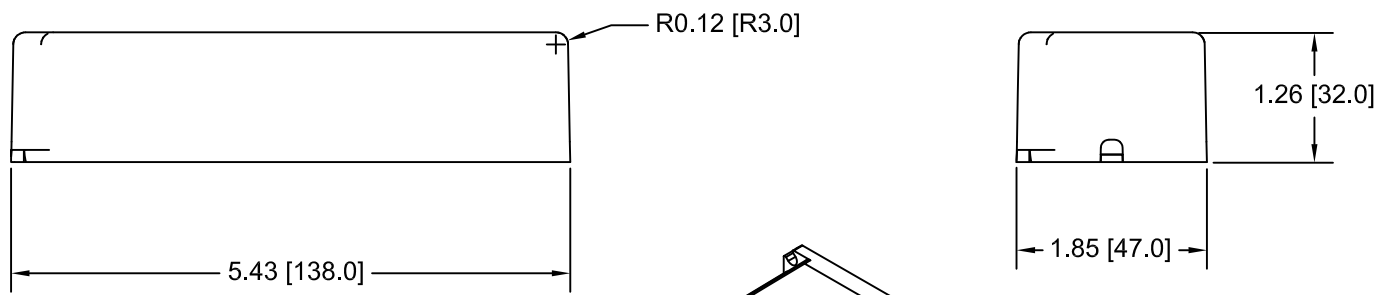
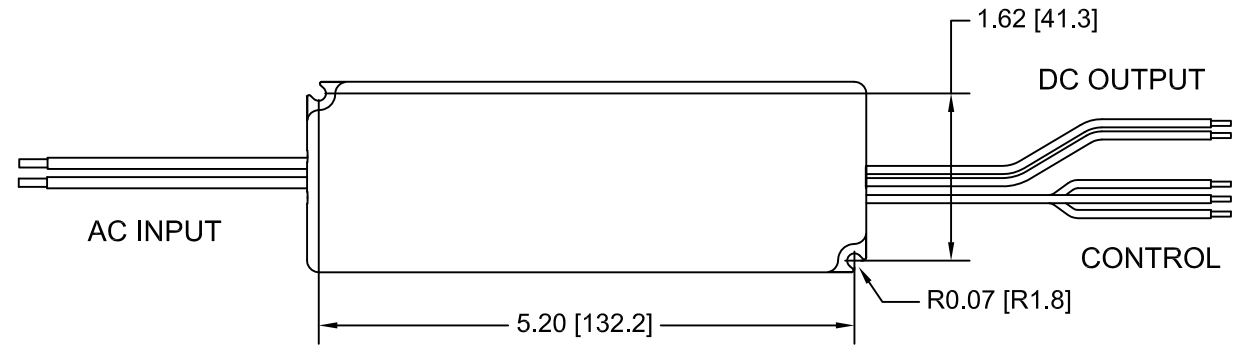


REVISIONS		
REV	DESCRIPTION	DATE
A0	RELEASE	09/16/2016



Housing:
 SABIC JAPAN L L C (E207780),
 material designation 945(GG),
 rated V-0, overall 138 by 47 by 32 mm,
 min 1.5 mm min thick two pieces construction.

MANUFACTURED BY: N/A

THIS ITEM IS THE PROPERTY OF MAGTECH INDUSTRIES AND CONTAINS PROPRIETARY CONFIDENTIAL AND TRADE SECRET INFORMATION. THE INFORMATION CONTAINED HEREIN MUST NOT BE USED, DISCLOSED OR REPRODUCED IN WHOLE OR IN PART WITHOUT PRIOR WRITTEN CONSENT FROM MAGTECH INC.				
UNLESS OTHERWISE SPECIFIED	QC:			
DIMENSIONS IN INCHES (MM)				
TOLERANCES:		TITLE: FORM FACTOR ENCLOSURE, PLASTIC, 47X138X32mm		
.X DECIMALS ± .05 (1.3)		APPROVAL DATE:	MODEL NO.	DWG NO.
.XX DECIMALS ± .02 (0.5)		EFFECTIVE DATE: 09/16/2016	N/A	EN-MP111
.XXX DECIMALS ± .005 (0.13)				REV. A0
ANGLES ± 1°				SH OF
FRACTIONS ± 1/16				1 1
DO NOT SCALE THIS DRAWING				
INTERPRET DRAWING PER ANS Y14.5M				

EN-MP111