

REVISIONS		
REV	DESCRIPTION	DATE
A0	RELEASE	09/15/2016

A

B

C

D

E

F

A

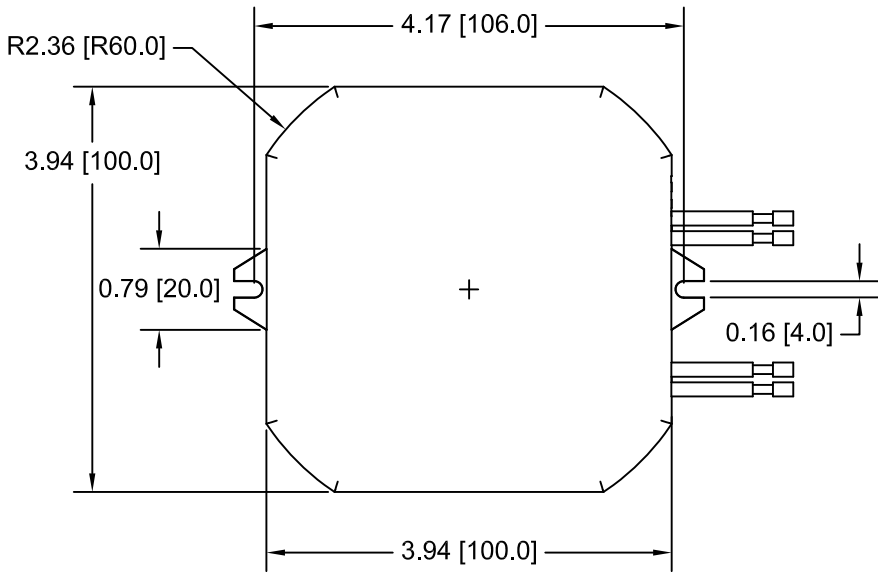
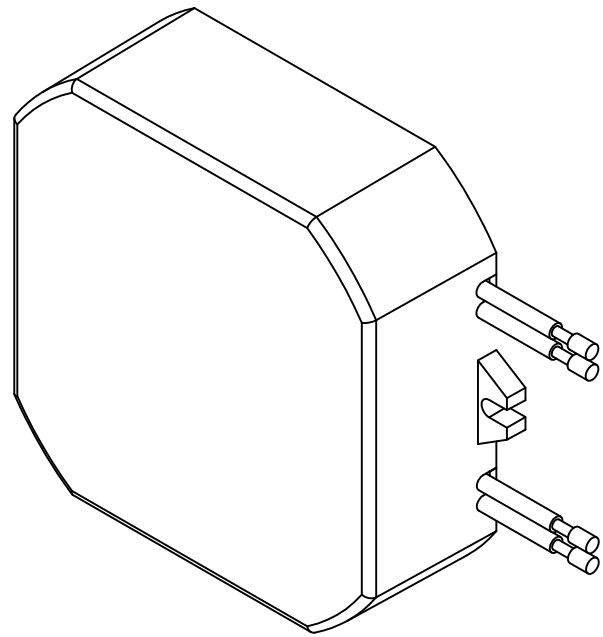
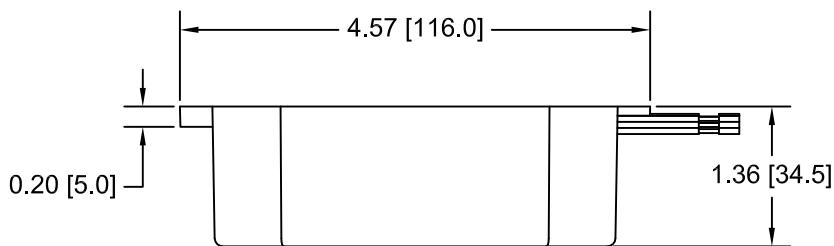
B

C

D

E

F



Housing:
TEIJIN CHEMICALS LTD. .
Type LN-1250G, minimum 1.5 mm thick, rated V-0, 115°C

MANUFACTURED BY: N/A

THIS ITEM IS THE PROPERTY OF MAGTECH INDUSTRIES AND CONTAINS PROPRIETARY CONFIDENTIAL AND TRADE SECRET INFORMATION. THE INFORMATION CONTAINED HEREIN MUST NOT BE USED, DISCLOSED OR REPRODUCED IN WHOLE OR IN PART WITHOUT PRIOR WRITTEN CONSENT FROM MAGTECH INC.

UNLESS OTHERWISE SPECIFIED DIMENSIONS IN INCHES (MM) TOLERANCES: -X DECIMALS± .05 (1.3) .XX DECIMALS± .02 (0.5) .XXX DECIMALS± .005 (0.13) ANGLES± 1° FRACTIONS± 1/16	QC:	
DO NOT SCALE THIS DRAWING INTERPRET DRAWING PER ANSI Y14.5M	TITLE: FORM FACTOR ENCLOSURE, PLASTIC, 100X116X34.5mm	
APPROVAL DATE:	MODEL NO. N/A	DWG NO. EN-HP104
EFFECTIVE DATE: 09/15/2016	REV. A0	SH OF 1 1

EN-HP104