

# DC/DC LED Driver

# Product Specifications

High Power Constant Current LED Driver LD1025 Series	
Total Power	25 Watts max.
Input Voltages	10 – 27VDC
Number of Outputs	One

ANZ#: Z191d, May 29, 2014

## Features :

DC Output with Constant Current,  
1-10V dimming compatible  
Meet FCC and CE standards  
For Dry and Damp Locations  
Logic "Enable" for on/off control  
Terminal block for easy, fast installation  
Three Year Warranty

## Applications :

LED General / Industrial Luminair  
LED Architectural Lighting  
LED Industrial Lighting  
Solar Applications  
e-Merge Application



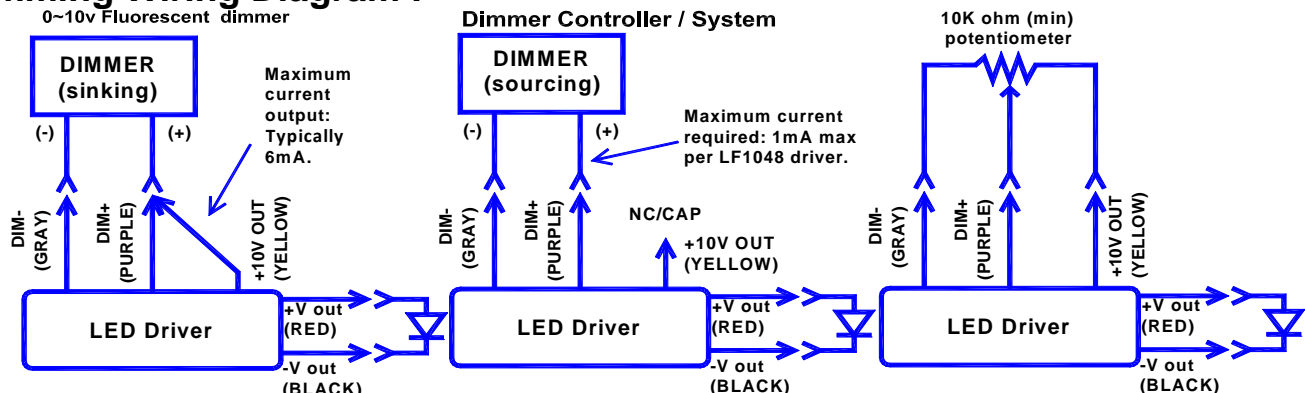
## Specifications :

Input Range : 10 ~ 27 VDC / 2.8A max.	Input Reverse Polarity Protection : Yes
Efficiency : 93% Typical	MTBF (@25°C) : >100,000 Hours, MIL-217F
Protection : OPP, SCP - Auto Recovery	Meet UL safety standard
Operation Temp. : -30°C ~ +55°C, Tc : 80°C	FCC Class B, EN55015 compliant
Storage Temp. : -40°C ~ +85°C	Dimension : 86 (L) x 43.5 (W) x 26 (H) mm +/- 0.5mm

## Model Listing :

Features / Model	LD1025 Series			
	-36-C0750	-48-C0550	-60-C0450	-88-C0350
Input Voltage (DC)	12-24VDC (-0V/+3V)	+24VDC (+/- 3V)	+24VDC (+/- 3V)	+24VDC (+/- 3V)
Efficiency	93% min.			
Operational Temperature	-30 ~ +50 °C			
Dimming	1-10 VDC			
Load Regulation	± 1%			
Forward Voltage Range (VDC)	18-40 <sup>note2</sup>	27-52	32-65	44-88
Max. Forward Current (mA)	750	550	450	350
Max. Output (Watts)	25	25	25	26

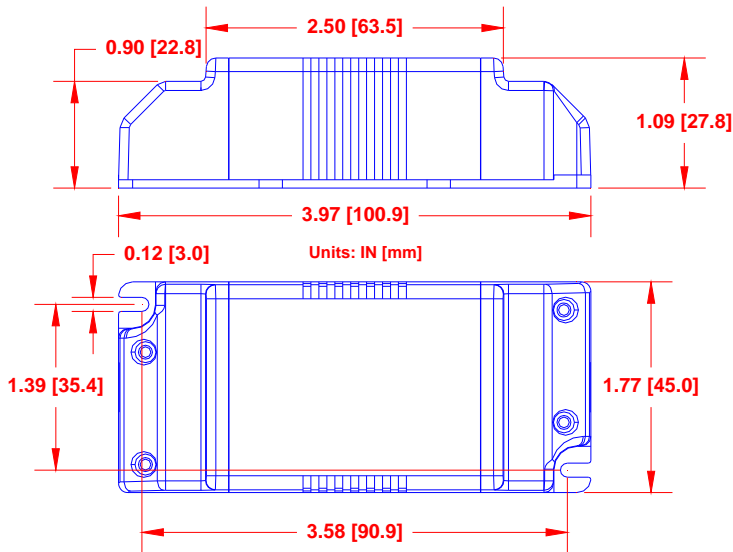
## Dimming Wiring Diagram :



Note1: When DIM+, DIM- and +10V are left open, the output will be at the maximum rated current.

Note2: When input is greater than 18VDC, the Vf (forward voltage) has to be at least 2VDC higher than the input voltage.

## Mechanical Specifications :



## Derating Temp. vs. Load :

## Efficiency – Input vs. Load :

