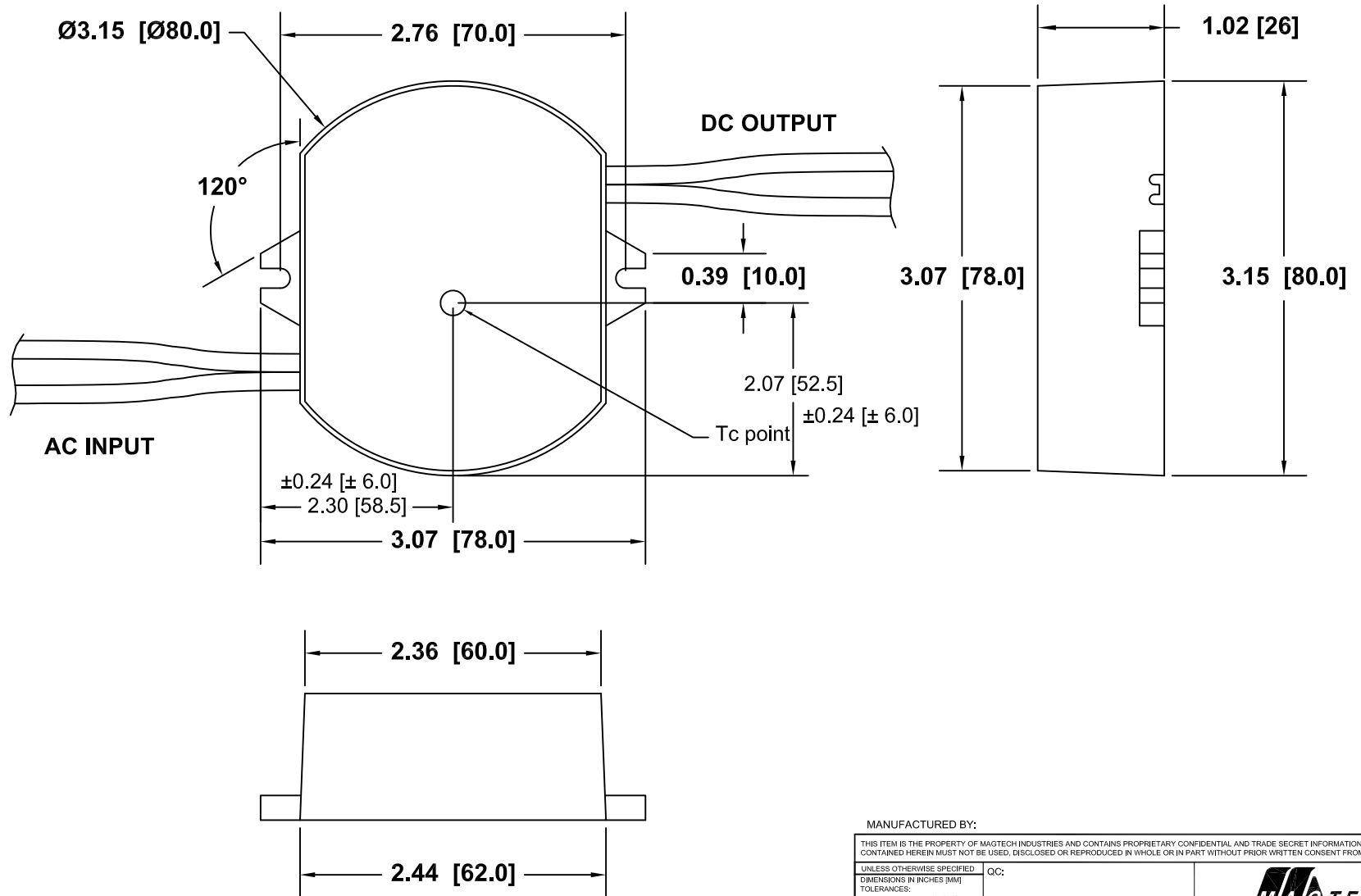



REVISIONS		
REV	DESCRIPTION	DATE
A0	RELEASE	09/26/2016

LT1026-1xx
Tc max=85°C



MANUFACTURED BY:

THIS ITEM IS THE PROPERTY OF MAGTECH INDUSTRIES AND CONTAINS PROPRIETARY CONFIDENTIAL AND TRADE SECRET INFORMATION. THE INFORMATION CONTAINED HEREIN MUST NOT BE USED, DISCLOSED OR REPRODUCED IN WHOLE OR IN PART WITHOUT PRIOR WRITTEN CONSENT FROM MAGTECH INC.					
UNLESS OTHERWISE SPECIFIED DIMENSIONS IN INCHES (MM) TOLERANCES: .X DECIMALS $\pm .05$ (1.3) .XX DECIMALS $\pm .02$ (0.5) .XXX DECIMALS $\pm .005$ (0.13) ANGLES $\pm 1^\circ$ FRACTIONS $\pm 1/16$	QC:				
	TITLE:				DRAWING, Tc POINT LT1026-1 SERIES
DO NOT SCALE THIS DRAWING INTERPRET DRAWING PER ANSI Y14.5M	APPROVAL DATE: 09/26/2016	MODEL NO. LT1026-1 SERIES	DWG NO. P07-0218	REV. A0	SH OF 1 1