

REVISIONS		
REV	DESCRIPTION	DATE
A0	RELEASE	04/01/2016

Tc=85°C

Q78-U24-Cyyyy-XM,
Q78-U36-Cyyyy-XM
Q78-U48-Cyyyy-XM

Tc=87°C

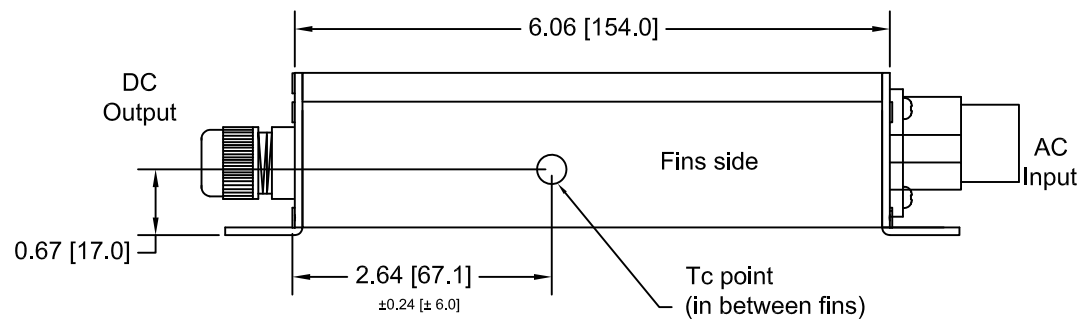
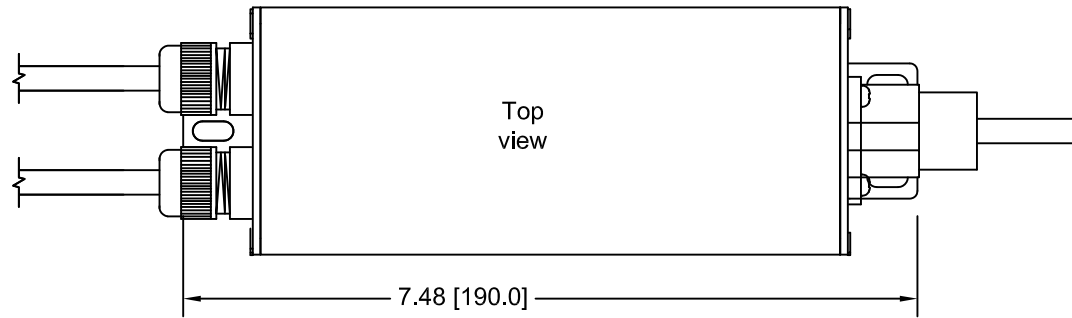
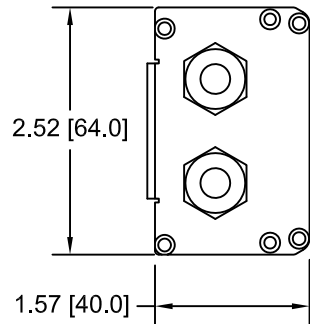
Q78-U54-Cyyyy-XM
Q78-U110-Cyyyy-XM

Tc=85°C

Q98-U24-Cyyyy-XM
Q98-U36-Cyyyy-XM
Q98-U48-Cyyyy-XM
Q98-U54-Cyyyy-XM
LDQ110024-Cyyyy-XM
LDQ110036-Cyyyy-XM
LDQ110048-Cyyyy-XM
LDQ110054-Cyyyy-XM

Tc=90°C

Q98-U110-Cyyyy-XM
LDQ110088-Cyyyy-XM



MANUFACTURED BY:

THIS ITEM IS THE PROPERTY OF MAGTECH INDUSTRIES AND CONTAINS PROPRIETARY CONFIDENTIAL AND TRADE SECRET INFORMATION. THE INFORMATION CONTAINED HEREIN MUST NOT BE USED, DISCLOSED OR REPRODUCED IN WHOLE OR IN PART WITHOUT PRIOR WRITTEN CONSENT FROM MAGTECH IND.

UNLESS OTHERWISE SPECIFIED

DIMENSIONS IN INCHES (MM)
TOLERANCES:
X DECIMALS ± .05 [1.3]
.XX DECIMALS ± .02 [0.5]
.XXX DECIMALS ± .005 [0.13]
ANGLES ± 1°
FRACTIONS ± 1/16

DO NOT SCALE THIS DRAWING
INTERPRET DRAWING PER
ANSI Y14.5M

QC:



TITLE: DRAWING, Tc POINT Q98-XM, Q78-XM SERIES

APPROVAL DATE: 04/01/2016
EFFECTIVE DATE: 04/01/2016

MODEL NO.
Q98-XM, Q78-XM

DWG NO.
P07-0214

REV. A0

SH OF
1 1