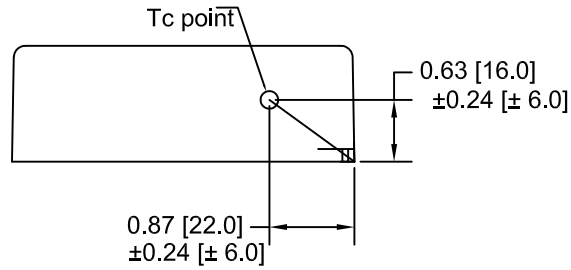
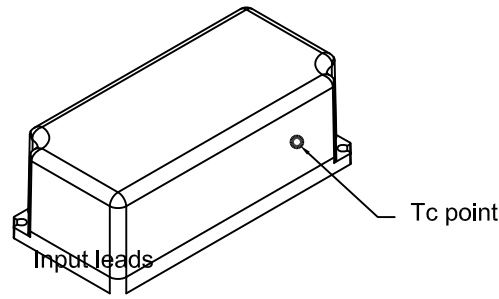
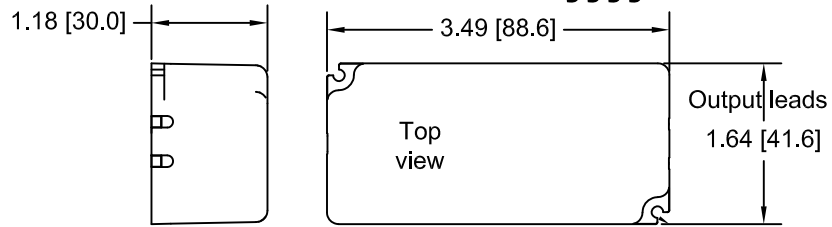
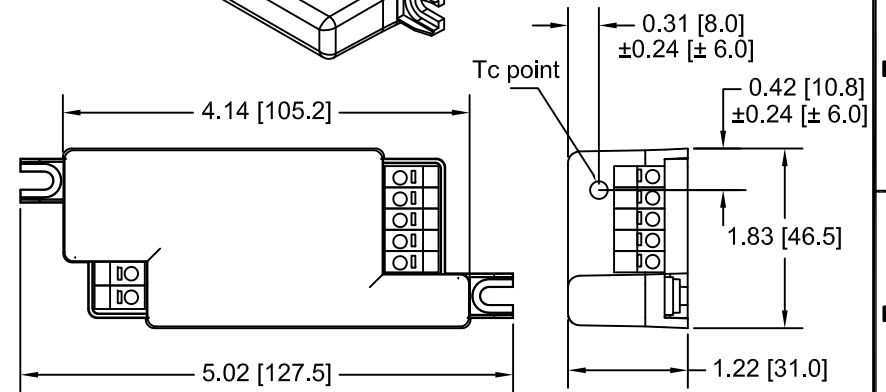
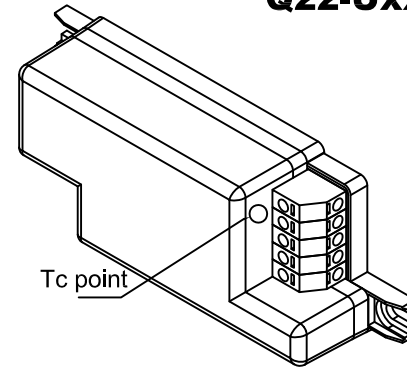


REVISIONS		
REV	DESCRIPTION	DATE
A0	RELEASE	12/25/2014

Q22-Uxx-Cyyyy-XP

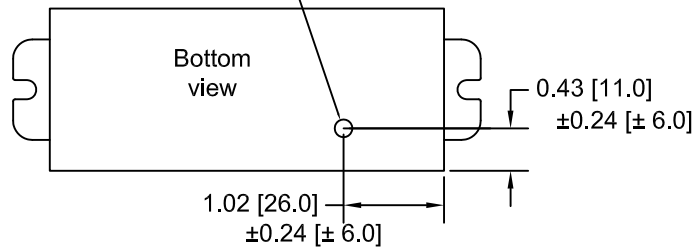
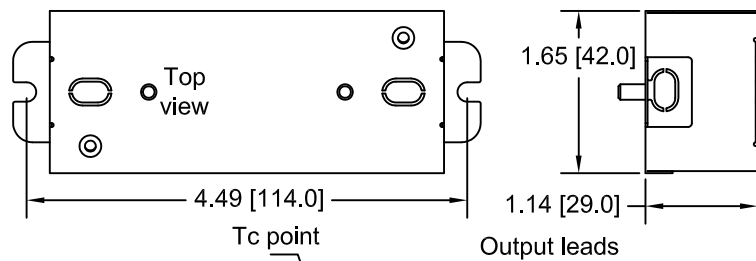


Q22-Uxx-Cyyyy-XT



**Tc max
85°C**

Q22-Uxx-Cyyyy-XM



MANUFACTURED BY:

THIS ITEM IS THE PROPERTY OF MAGTECH INDUSTRIES AND CONTAINS PROPRIETARY CONFIDENTIAL AND TRADE SECRET INFORMATION. THE INFORMATION CONTAINED HEREIN MUST NOT BE USED, DISCLOSED OR REPRODUCED IN WHOLE OR IN PART WITHOUT PRIOR WRITTEN CONSENT FROM MAGTECH IND.

UNLESS OTHERWISE SPECIFIED

DIMENSIONS IN INCHES (MM)

TOLERANCES:

.X DECIMALS: .05 [1.3]

.XXX DECIMALS: .02 [0.5]

.XXX DECIMALS: .005 [0.13]

ANGLES: 1°

FRACTIONS: 1/16

DO NOT SCALE THIS DRAWING

INTERPRET DRAWING PER ANSI Y14.5M

QC:



TITLE: DRAWING, Tc POINT Q22-CC SERIES

APPROVAL DATE: 12/25/2014

MODEL NO. Q22-CC

DWG NO. P07-0204

REV. A0

SH OF 1

EFFECTIVE DATE: 12/25/2014