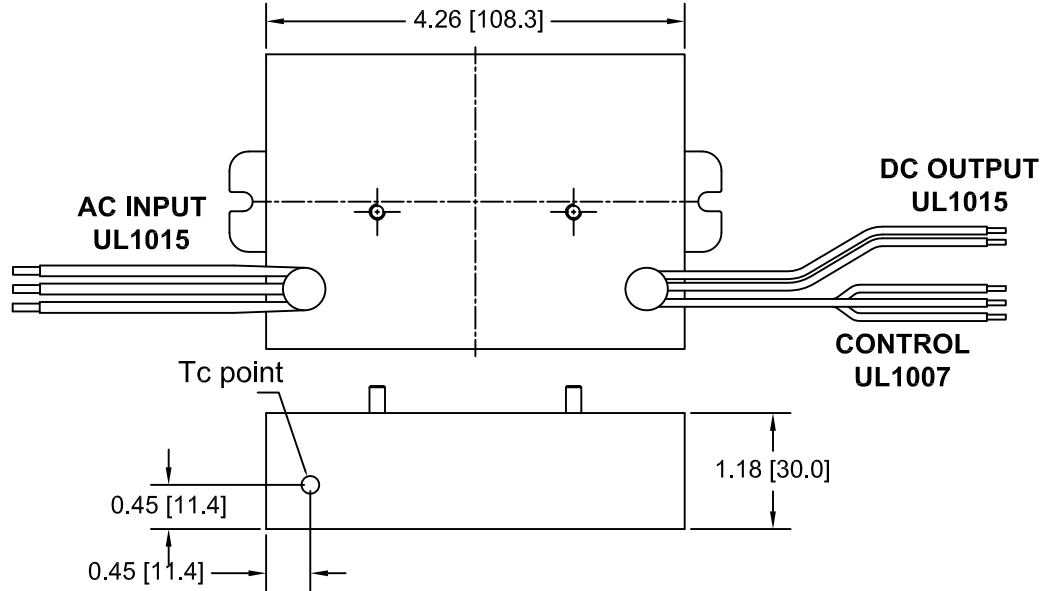
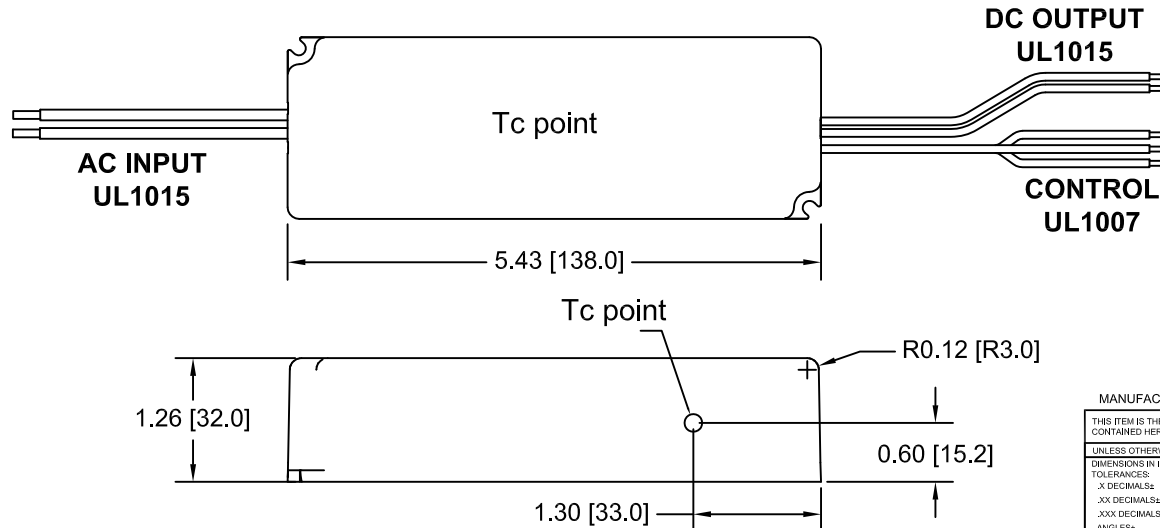


REVISIONS		
REV	DESCRIPTION	DATE
A0	RELEASE	12/19/2014



**Q38-Uxx-Cyyyy-XM**  
**Q48-Uxx-Cyyyy-XM**  
**Q58-Uxx-Cyyyy-XM**  
**Q68-Uxx-Cyyyy-XM**

**Tc=85°C**



**Q38-Uxx-Cyyyy-XP**  
**Q48-Uxx-Cyyyy-XP**  
**Q58-Uxx-Cyyyy-XP**  
**Q68-Uxx-Cyyyy-XP**

MANUFACTURED BY:

THIS ITEM IS THE PROPERTY OF MAGTECH INDUSTRIES AND CONTAINS PROPRIETARY CONFIDENTIAL AND TRADE SECRET INFORMATION. THE INFORMATION CONTAINED HEREIN MUST NOT BE USED, DISCLOSED OR REPRODUCED IN WHOLE OR IN PART WITHOUT PRIOR WRITTEN CONSENT FROM MAGTECH IND.

UNLESS OTHERWISE SPECIFIED DIMENSIONS IN INCHES (MM) TOLERANCES: X DECIMALS± .05 (1.3) XX DECIMALS± .02 (0.5) XXX DECIMALS± .005 (0.13) ANGLES± 1° FRACTIONS± 1/16	QC:	
	TITLE: DRAWING, Tc POINT Q38, Q48, Q58 AND Q68 SERIES	
DO NOT SCALE THIS DRAWING INTERPRET DRAWING PER ANSI Y14.5M	APPROVAL DATE: ????	MODEL NO. Q38, Q48, Q58, Q68 SERIES
	EFFECTIVE DATE: 12/16/2014	DWG NO. P07-0202
		REV. A0 SH OF 1 1