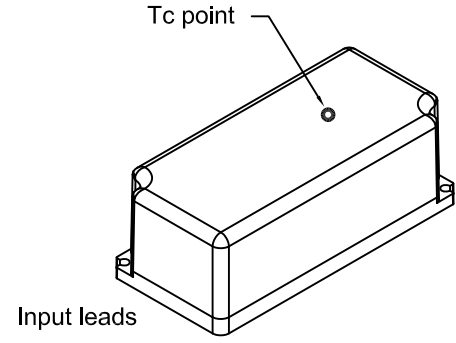
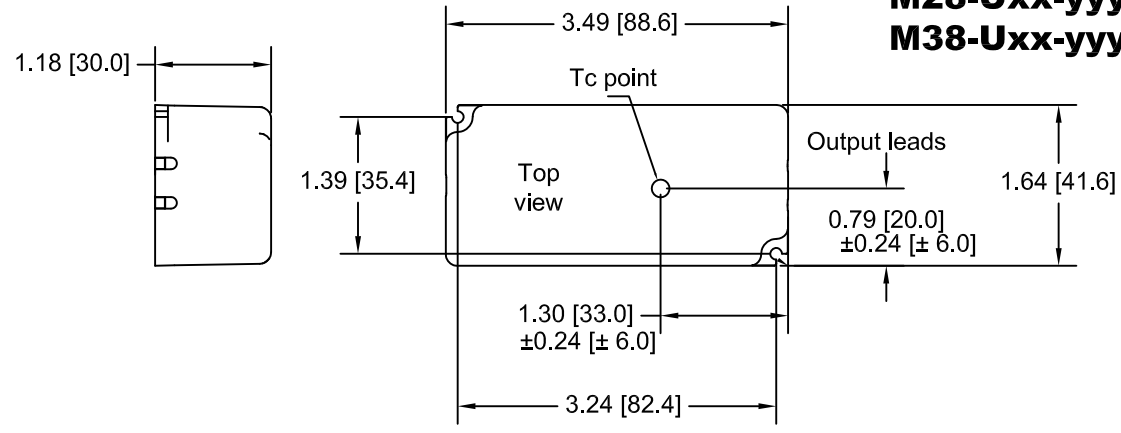


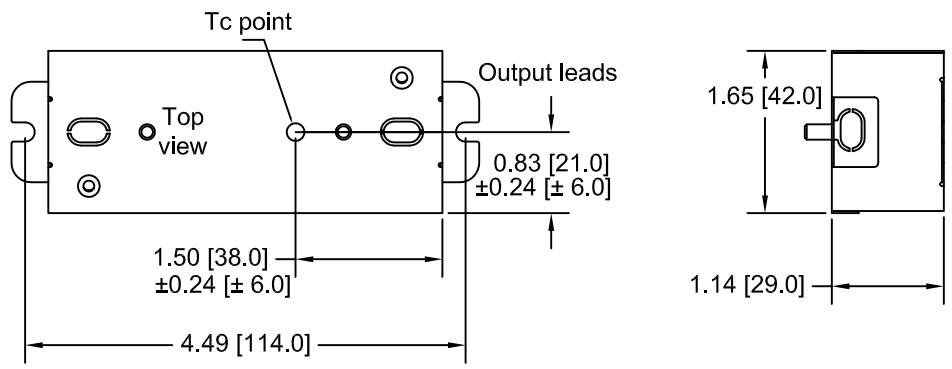
REVISIONS		
REV	DESCRIPTION	DATE
B1	-XM VERSION ADDED	12/17/2014
B0	UPDATED TESTING PER UL COA 2014-07-22	10/13/2014
A0	RELEASE	03/26/2014

M27-Uxx-yyyy-XP
M28-Uxx-yyyy-XP
M38-Uxx-yyyy-XP



Tc max
85°C

M27-Uxx-yyyy-XM
M28-Uxx-yyyy-XM
M38-Uxx-yyyy-XM



MANUFACTURED BY:

THIS ITEM IS THE PROPERTY OF MAGTECH INDUSTRIES AND CONTAINS PROPRIETARY CONFIDENTIAL AND TRADE SECRET INFORMATION. THE INFORMATION CONTAINED HEREIN MUST NOT BE USED, DISCLOSED OR REPRODUCED IN WHOLE OR IN PART WITHOUT PRIOR WRITTEN CONSENT FROM MAGTECH IND.

UNLESS OTHERWISE SPECIFIED	QC:		
DIMENSIONS IN INCHES [MM]			
TOLERANCES:		TITLE: DRAWING, Tc POINT M28 AND M38 SERIES	
.X DECIMALS ± .05 [1.3]			
.XX DECIMALS ± .02 [0.5]			
.XXX DECIMALS ± .005 [0.13]			
ANGLES ± 1°		APPROVAL DATE: 10/13/2014	
FRACTIONS ± 1/16		EFFECTIVE DATE: 03/26/2014	
DO NOT SCALE THIS DRAWING		MODEL NO. M28 & M38	DWG NO. P07-0201
INTERPRET DRAWING PER ANSI Y14.5M			REV. B1 SH OF 1 1