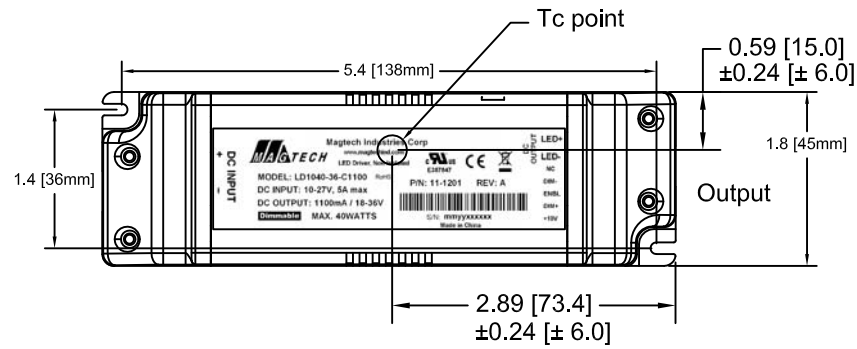
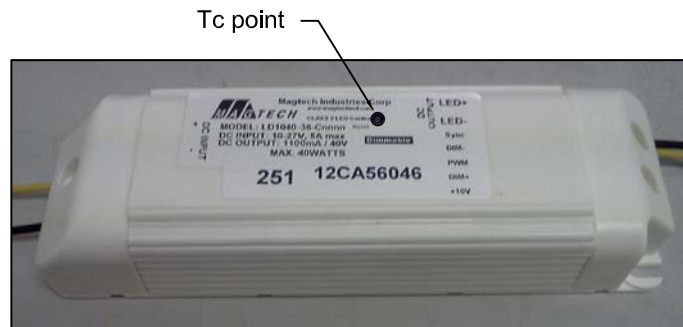


REVISIONS		
REV	DESCRIPTION	DATE
A0	RELEASE	02/13/2013

LD1040



Tc max=85°C



Output

MANUFACTURED BY:

THIS ITEM IS THE PROPERTY OF MAGTECH INDUSTRIES AND CONTAINS PROPRIETARY CONFIDENTIAL AND TRADE SECRET INFORMATION. THE INFORMATION CONTAINED HEREIN MUST NOT BE USED, DISCLOSED OR REPRODUCED IN WHOLE OR IN PART WITHOUT PRIOR WRITTEN CONSENT FROM MAGTECH IND.

UNLESS OTHERWISE SPECIFIED	QC:					
DIMENSIONS IN INCHES (MM)						
TOLERANCES:		TITLE: DRAWING, Tc POINT LD1040 SERIES				
.X DECIMALS ± .05 (1.3)						
.XX DECIMALS ± .02 (0.5)						
.XXX DECIMALS ± .005 (0.13)						
ANGLES ± 1°		APPROVAL DATE: 02/15/2013	MODEL NO. LD1040	DWG NO. P07-0196	REV. A0	SH OF 1 1
FRACTIONS ± 1/16		EFFECTIVE DATE: 02/15/2013				
DO NOT SCALE THIS DRAWING						
INTERPRET DRAWING PER ANSI Y14.5M						