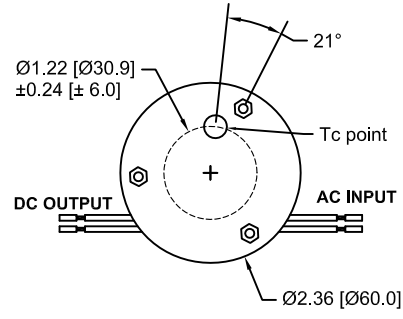


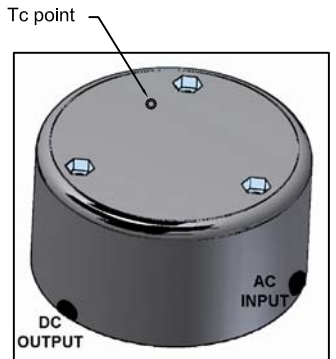
Tc=85°C Location

REVISIONS		
REV	DESCRIPTION	DATE
00	RELEASED	08/16/2011

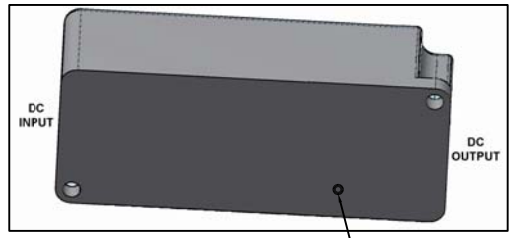
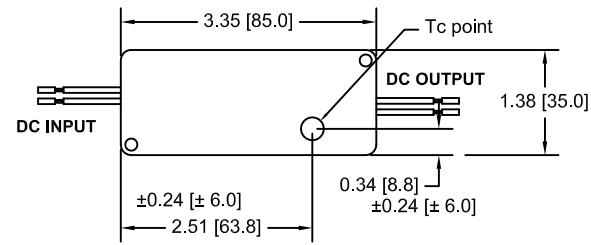
A



B12R58



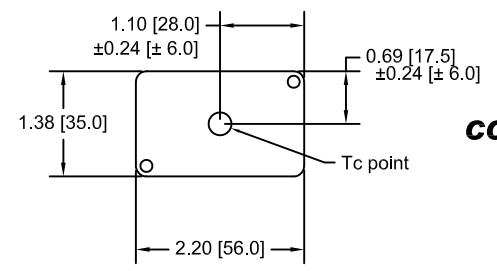
LD1026



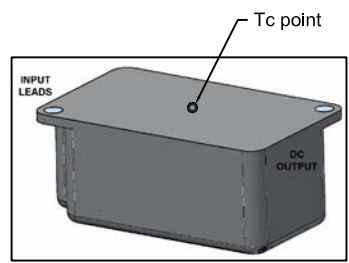
B

B

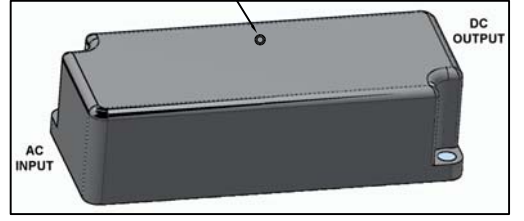
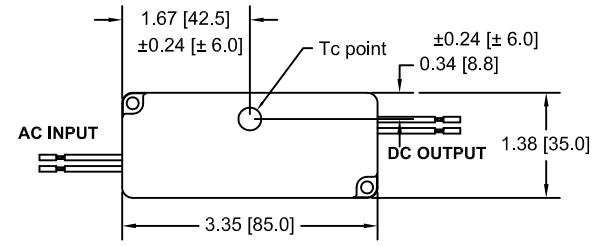
C



CC2512



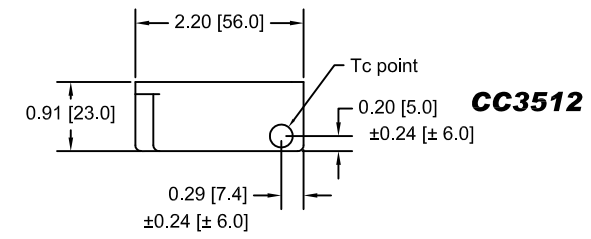
LA1012



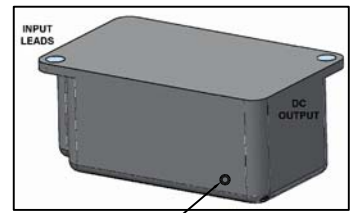
D

D

E



CC3512



MANUFACTURED BY: HIGH PERFECTION TECHNOLOGY CO., LTD.

THIS ITEM IS THE PROPERTY OF MAGTECH INDUSTRIES AND CONTAINS PROPRIETARY CONFIDENTIAL AND TRADE SECRET INFORMATION. THE INFORMATION CONTAINED HEREIN MUST NOT BE USED, DISCLOSED OR REPRODUCED IN WHOLE OR IN PART WITHOUT PRIOR WRITTEN CONSENT FROM MAGTECH IND.

UNLESS OTHERWISE SPECIFIED	QC:
DIMENSIONS IN INCHES [MM]	
TOLERANCES:	
.X DECIMALS± .05 [1.3]	
.XX DECIMALS± .02 [0.5]	
.XXX DECIMALS± .005 [0.13]	
ANGLES± 1°	
FRACTIONS± 1/16	
DO NOT SCALE THIS DRAWING	APPROVAL DATE: ????
INTERPRET DRAWING PER ANSI Y14.5M	EFFECTIVE DATE: ????

		TITLE: DRAWING, Tc POINT B12R58, CC2512, CC3512, LA1012, LD1026	
		MODEL NO. ---	DWG NO. P07-0191